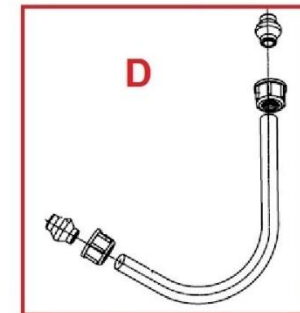
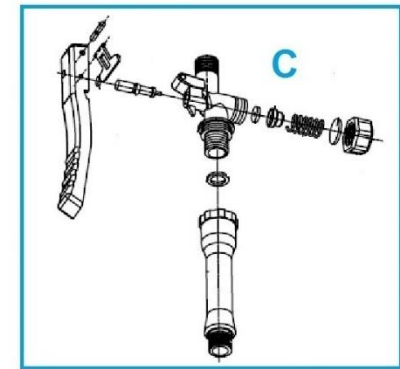
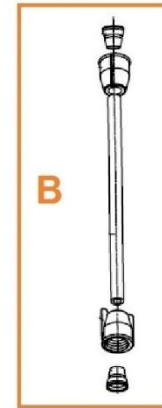
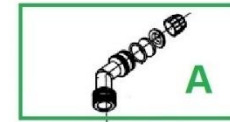
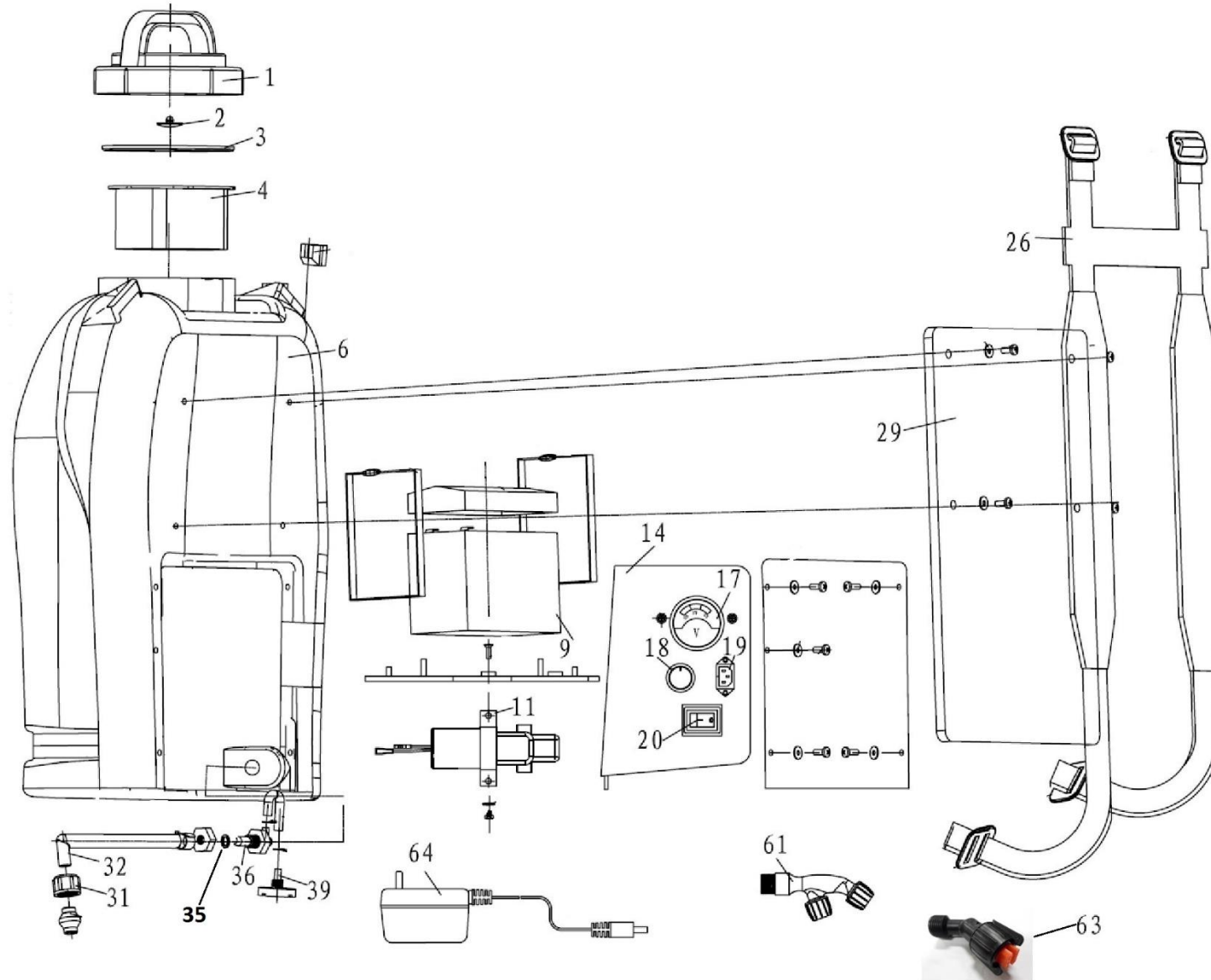


416 ACCU



| Position | Part number | Název | Name |
|----------|-------------|---------------------|----------------------|
| A | 415000060 | Tryska | Spray head |
| B | 415000056 | Nástavec pistole | Extension rod |
| C | 415000043 | Pistole | Gun assembly |
| D | 415000040 | Hadice | Hose |
| 1 | 415000001 | Zátka nádrže | Tank cap |
| 2 | 415000002 | Ventilek | Breathing valve |
| 3 | 415000003 | Těsnění | Felt washer |
| 4 | 415000004 | Sítko | Filter |
| 6 | 415000006 | Nádrž | Tank |
| 9 | 415000009 | Baterie | Battery |
| 11 | 415000011 | Čerpadlo kompletní | Pump assembly |
| 14 | 415000014 | Panel | Plate |
| 17 | 415000017 | Voltmetr | Voltmeter |
| 18 | 415000018 | Regulace napětí | Voltage regulator |
| 19 | 415000019 | Zásuvka | Plug |
| 20 | 415000020 | Spínač | Switch |
| 26 | 415000026 | Popruh | Harness |
| 29 | 415000029 | Podložka zad | Back pad |
| 31 | 415000031 | Převlečná matice | Plastic nut |
| 32 | 415000032 | Hadička | Pipe |
| 35 | 415000035 | O kroužek | Rubber washer |
| 36 | 415000036 | Konektor | Connector |
| 39 | 415000039 | Filtr | Filter |
| 61 | 415000061 | Dvojitá tryska | Double spray head |
| 63 | 415000063 | Rozprašovací tryska | Fan style spray head |
| 64 | 415000064 | Nabíječka | Charger |