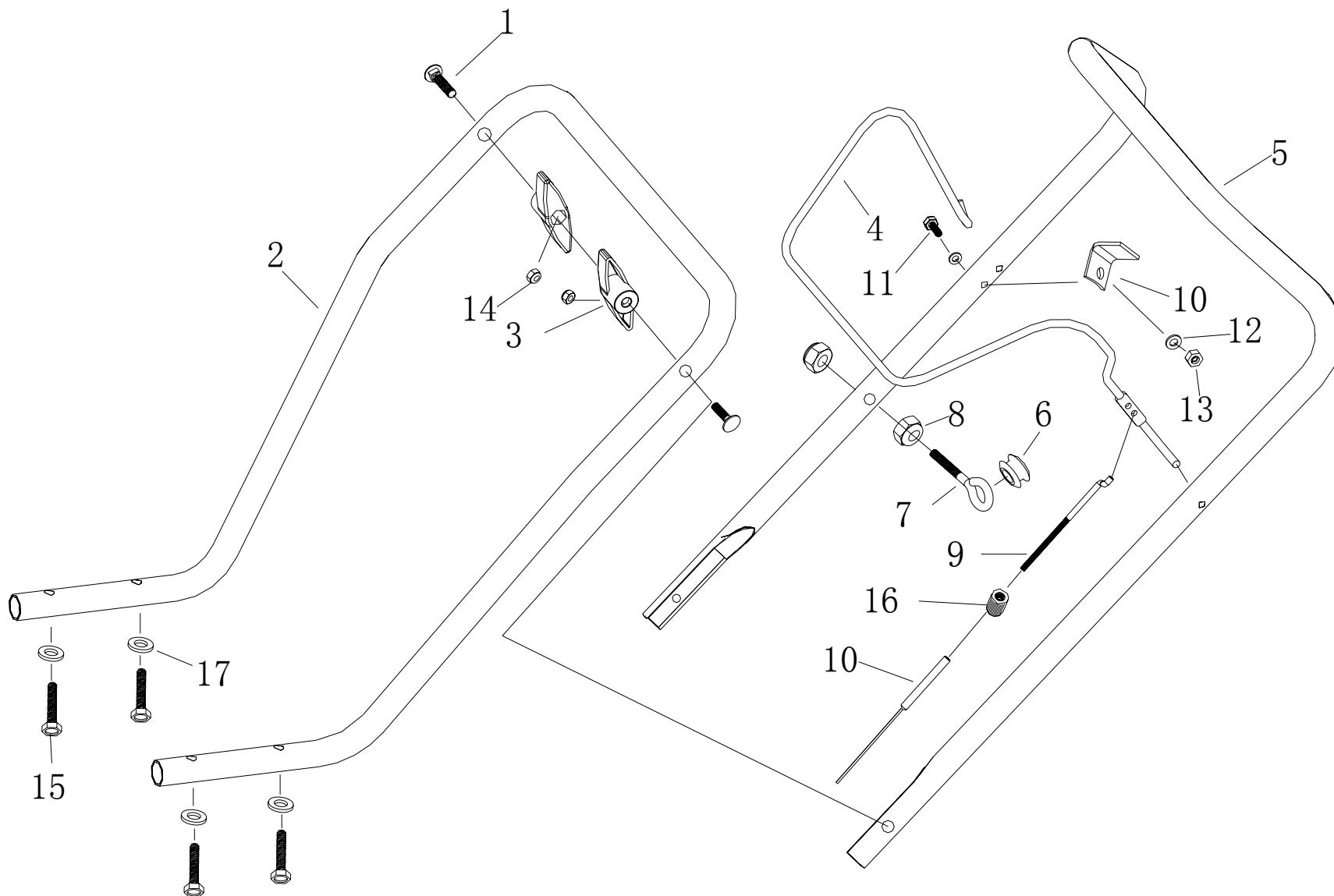


Auger Housing Assembly

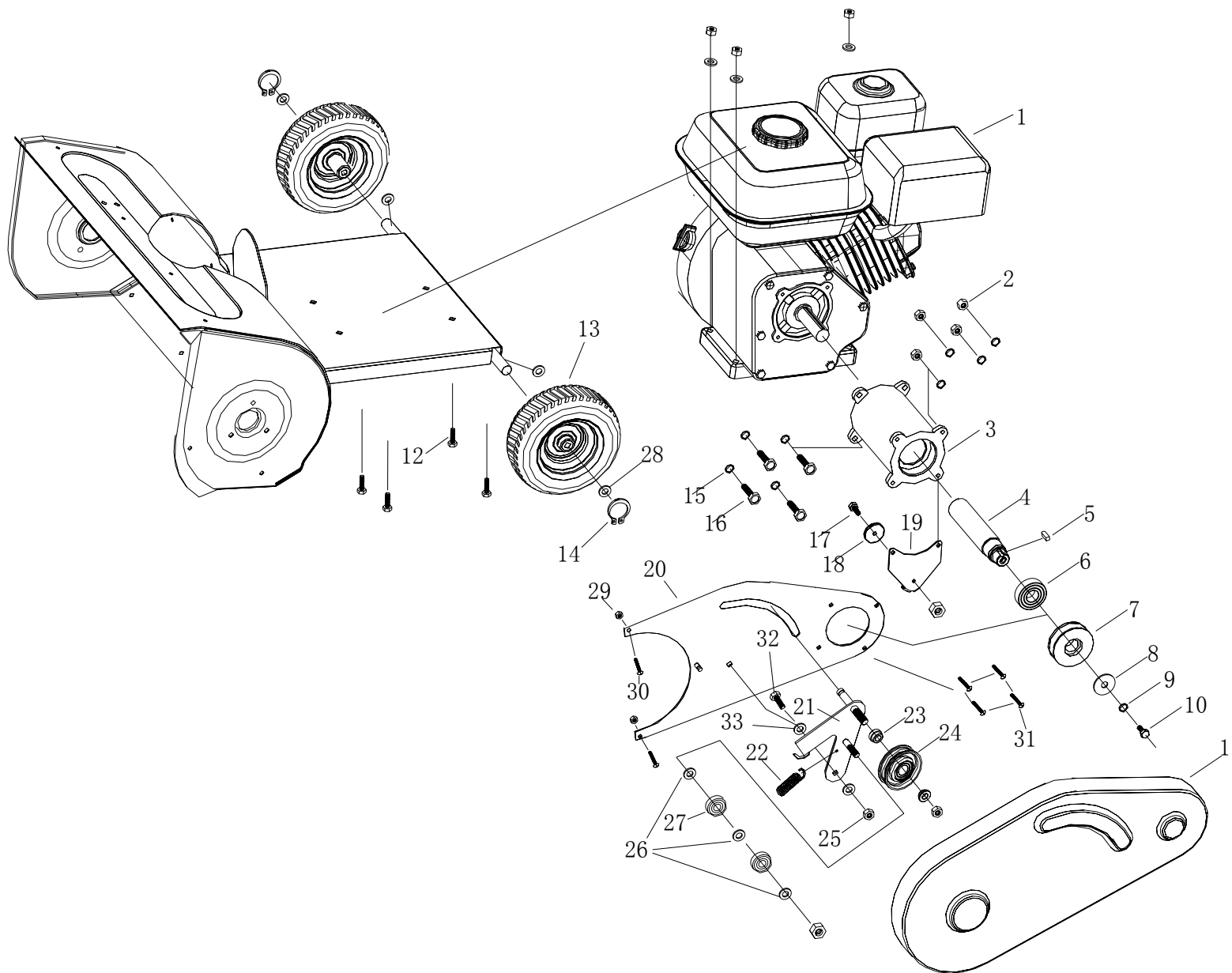
Ref	Part No.	Qty.	Description	Ref	Part No.	Qty.	Description
1	XA-04-53	1	Discharge deflector	30	XA-04-38	1	Frame
2	XA-04-52	2	Locking handle	31		2	Cross recessed pan head tapping screw
3		2	Cup head square neck bolt	32		2	Cross recessed pan head tapping screw
4	XA-04-55	1	Discharge chute	33		4	Cup head square neck bolt
5	XA-04-48	1	Safety bar assembly	34	XA-04-16	1	Snow shoveling plate
6	XA-04-49	1	Pullback spring	35		4	Big washer
7		2	Hexagonal bolt	36	XA-04-01	2	Auger patch
8	XA-04-61	3	Discharge chute mounting plate	37		12	Truss head hexagonal socket bolt
9	XA-04-102	1	Chute crank A	38		28	Lock nut
10		1	Cotter pin	39	XA-04-04	1	Auger support assembly
11	XA-04-100	1	Crank plastic cover	40		2	Bearing
12		1	Plain washer	41		1	Plain washer
13	XA-04-98	1	Chute crank stand-seat	42	XA-04-08	1	Big pulley
14		2	Cup head square neck bolt	43	XA-04-12	1	Belt
15		1	Plain washer	44		1	Key
16		1	Cross recessed pan head screw	45		1	Big washer
17	XA-04-105	1	Chute crank handle	46		1	Spring washer
18	XA-04-104	1	Chute crank B	47		1	Hexagonal bolt
19		1	Cross recessed pan head screw	48	XA-04-15	1	Snow shoveling patch
20		2	Big washer	49		2	Lock nut
21		2	Truss head hexagonal socket bolt	50		6	Hexagonal bolt
22	XA-04-39	1	Chute pedestal	51		1	Hexagonal bolt
23		6	Hexagonal bolt	52		1	Plain washer
24		6	Spring washer				
25	XA-04-43	2	Bearing end plate				
26		4	Cross recessed pan head screw				
27		4	Big washer				
28		4	Lock nut				
29	XA-04-59	1	Cover assembly				



Handle and Control Assembly

Ref	Part No.	Qty.	Description
1		2	Cup head square neck bolt
2	XA-04-95	1	Joint handle
3	XA-04-93	2	Locking handle
4	XA-04-88	1	Clutch handle
5	XA-04-89	1	Handle
6	XA-04-90	1	Rubber ring
7	XA-04-91	1	Crank support ring
8		2	Nut
9	XA-04-87	1	Adjusting stick
10	XA-04-86	1	Clutch pull wire

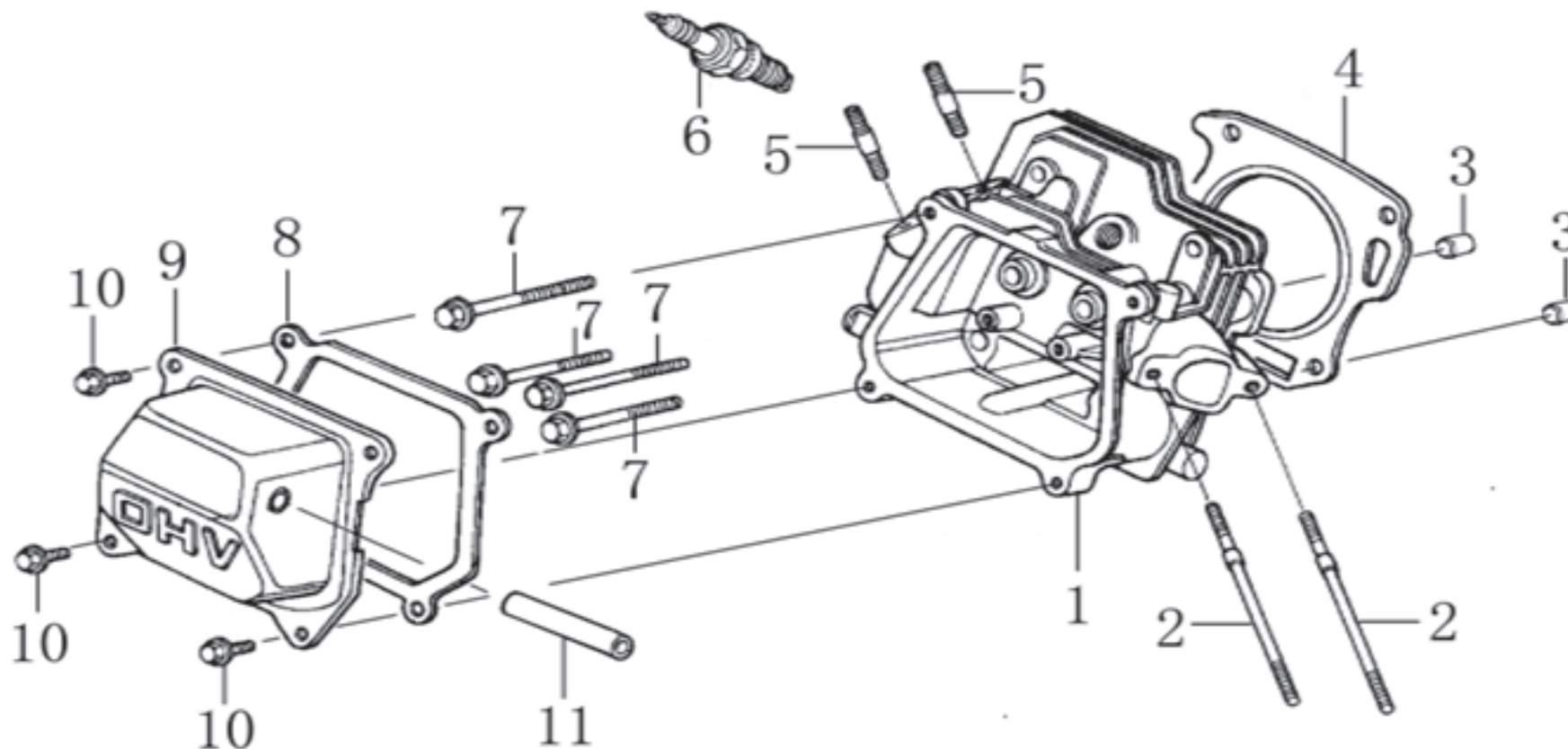
Ref	Part No.	Qty.	Description
11	XA-04-88A	1	Handle limit frame
12		1	Hexagonal bolt
13		2	Plain washer
14		1	Lock nut
15		2	Lock nut
16		4	Hexagonal bolt
17		1	Nut
18		4	Plain washer



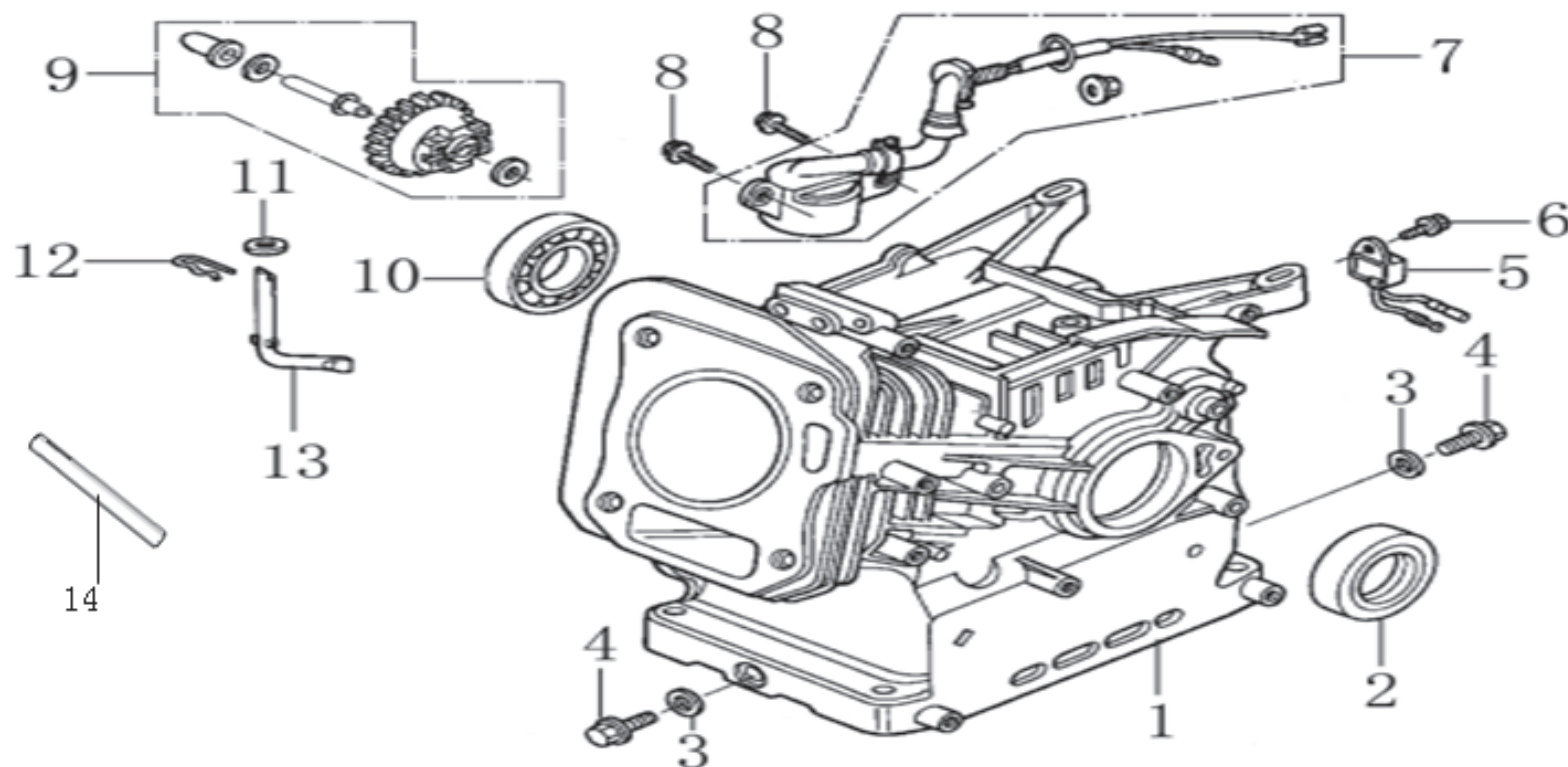
Engine and Drive Assembly

Ref	Part No.	Qty.	Description
1	XA-04-65	1	Engine
2		4	Nut
3	XA-04-66	1	Lengthen cover
4	XA-04-71	1	Joint shaft
5		1	Key
6		1	Bearing
7	XA-04-74	1	Small pulley
8		1	Big washer
9		1	Spring washer
10		1	Hexagonal bolt
11	XA-04-26	1	Belt housing assembly
12		8	Hexagonal bolt
13	XA-04-84	2	Wheel
14		2	Circlip
15		4	Spring washer
16		4	Hexagonal screw
17		1	Cross recessed cheese head screw
18	XA-04-79	1	Pulley
19	XA-04-80	1	Pulley support pedestal
20	XA-04-31	1	Belt housing interior plate
21	XA-04-30	1	Tension arm assembly
22	XA-04-24	1	Tension pulley spring
23	XA-04-28	2	Tension pulley sleeve
24	XA-04-29	1	Large tension pulley
25		10	Lock nut
26		3	Plain washer

Ref	Part No.	Qty.	Description
27		2	Bearing
28		4	Plain washer
29		2	Hexagonal nut
30		2	Cross recessed pan head screw
31		4	Cross recessed pan head screw
32		1	Hexagonal bolt
33	XA-04-30c	1	Tension convex washer

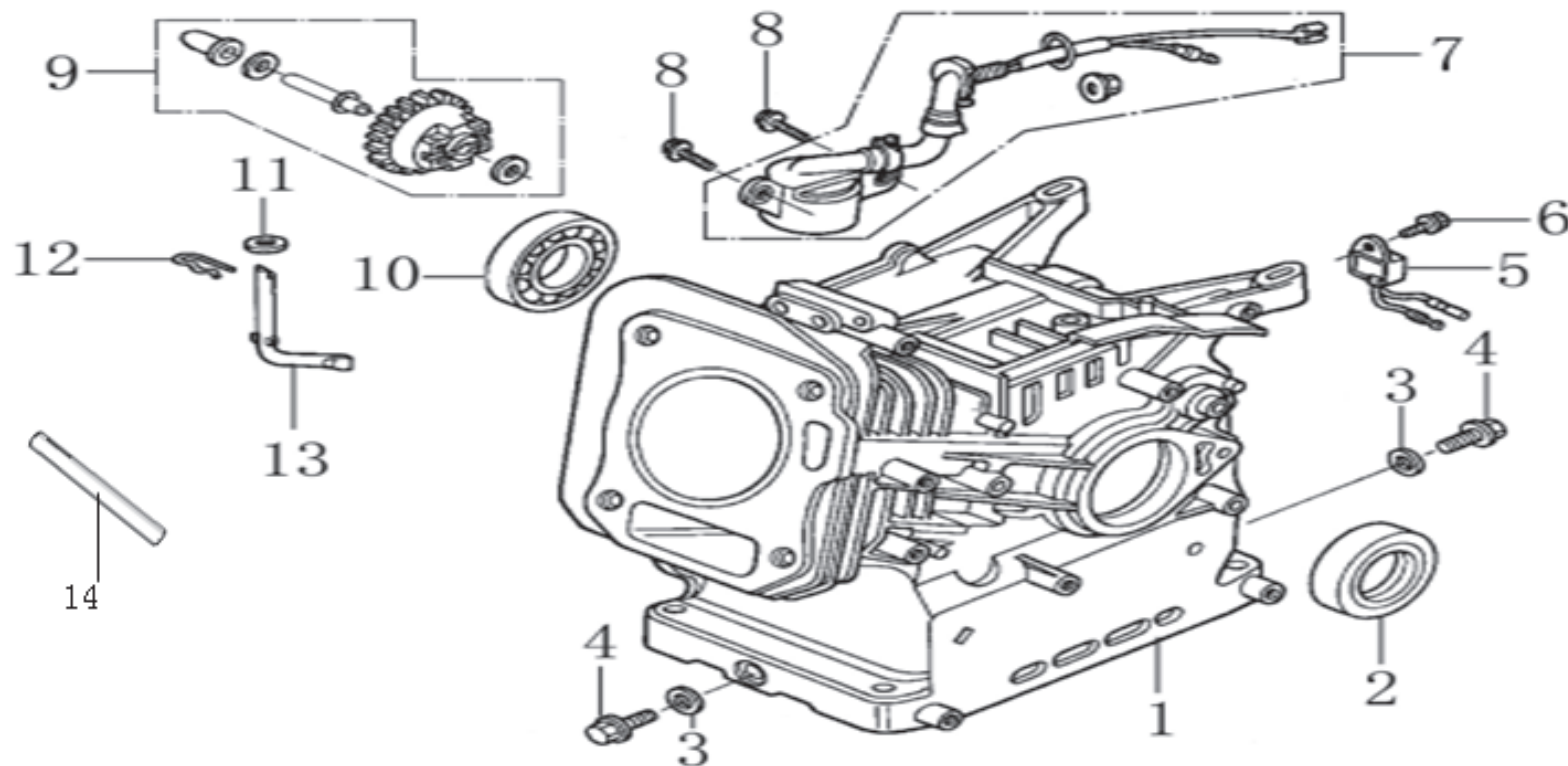


Č.	Objed. číslo	Name	Ks
1	120080275-0001	HEAD COMP .,CYLINDER	1
2	380180093-0001	BOLT , STUD , IN.	2
3	380600117-0001	PIN , DOWEL	2
4	120150144-0001	GASKET , CYLINDER	1
5	380180098-0001	BOLT , STUD , EX.	2
6	270960014-0001	PLUG , SPARK	1
7	380140336-0001	BOLT , FLANGE	4
8	120250013-0001	PACKING , HEAD COVER	1
9	120220008-0001	COVER COMP ., HEAD	1
10		BOLT , FLANGE	4



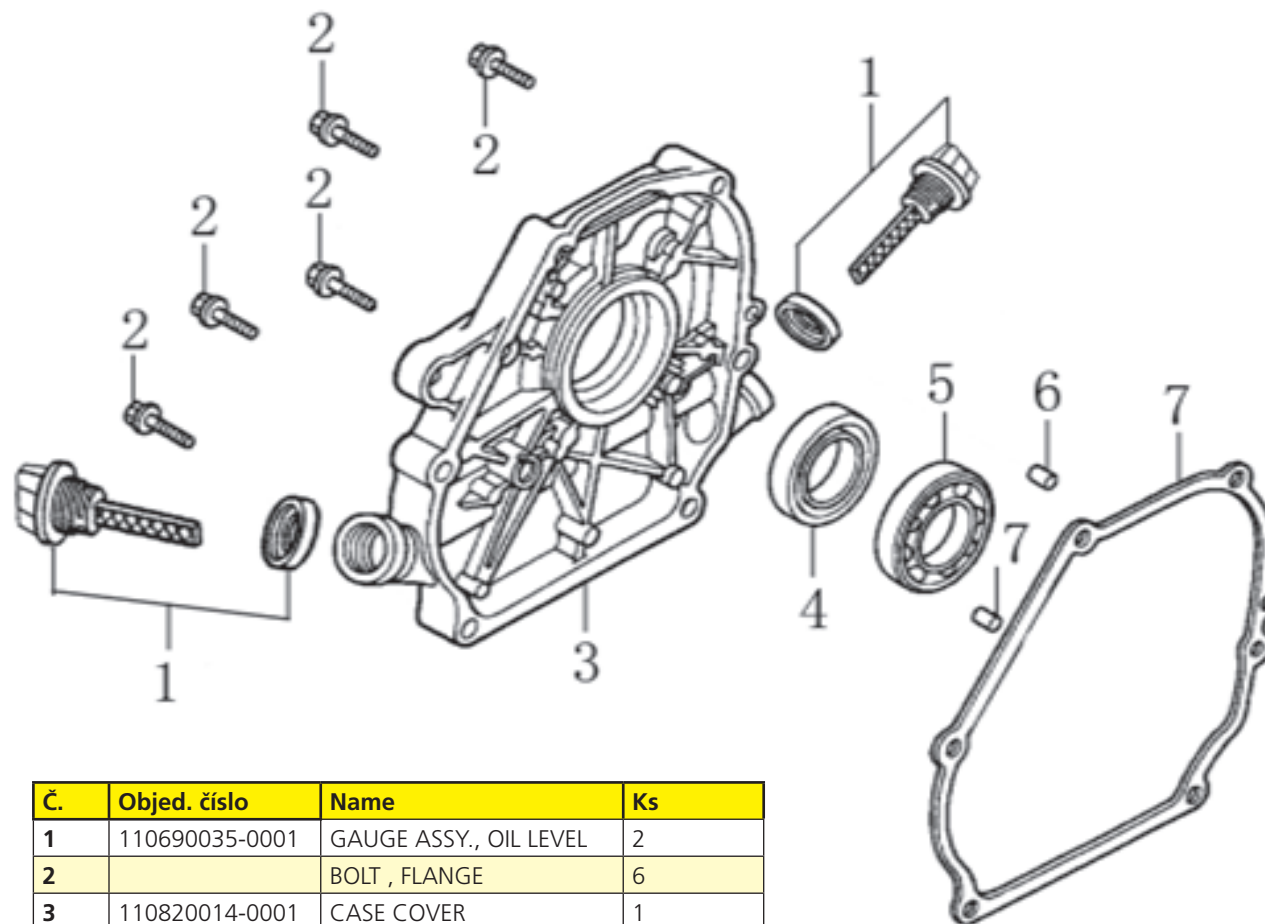
Č.	Objed. číslo	Name	Ks
1	110810004-0001	CRANK CASE	1
2	380650490-0001	OIL SEAL	1
3		WASHER , DRAIN PLUG	2
4		BOLT , DRAIN PLUG	2
5	281890003-0001	ALART UNIT ,OIL	1
6	380140011-0004	BOLT , FLANGE	1
7	281850160-0001	OIL LEVEL SWITCH	1
8	380140215-0003	BOLT , FLANGE	2
9	171750002-0001	GOVERNOR GEAR ASSY.	1
10		BEARING , RADIAL BALL	1
11		WASHER , PLAIN	1
12	381350004-0001	PIN , LOCK	1

13	171630001-0001	SHAFT , GOVERNOR ARM	1
14	110940001-0001	BLEED-OFF PIPE	1
15	110950001-0001	CONNECTOR BLEED-OFF - PIPE	1

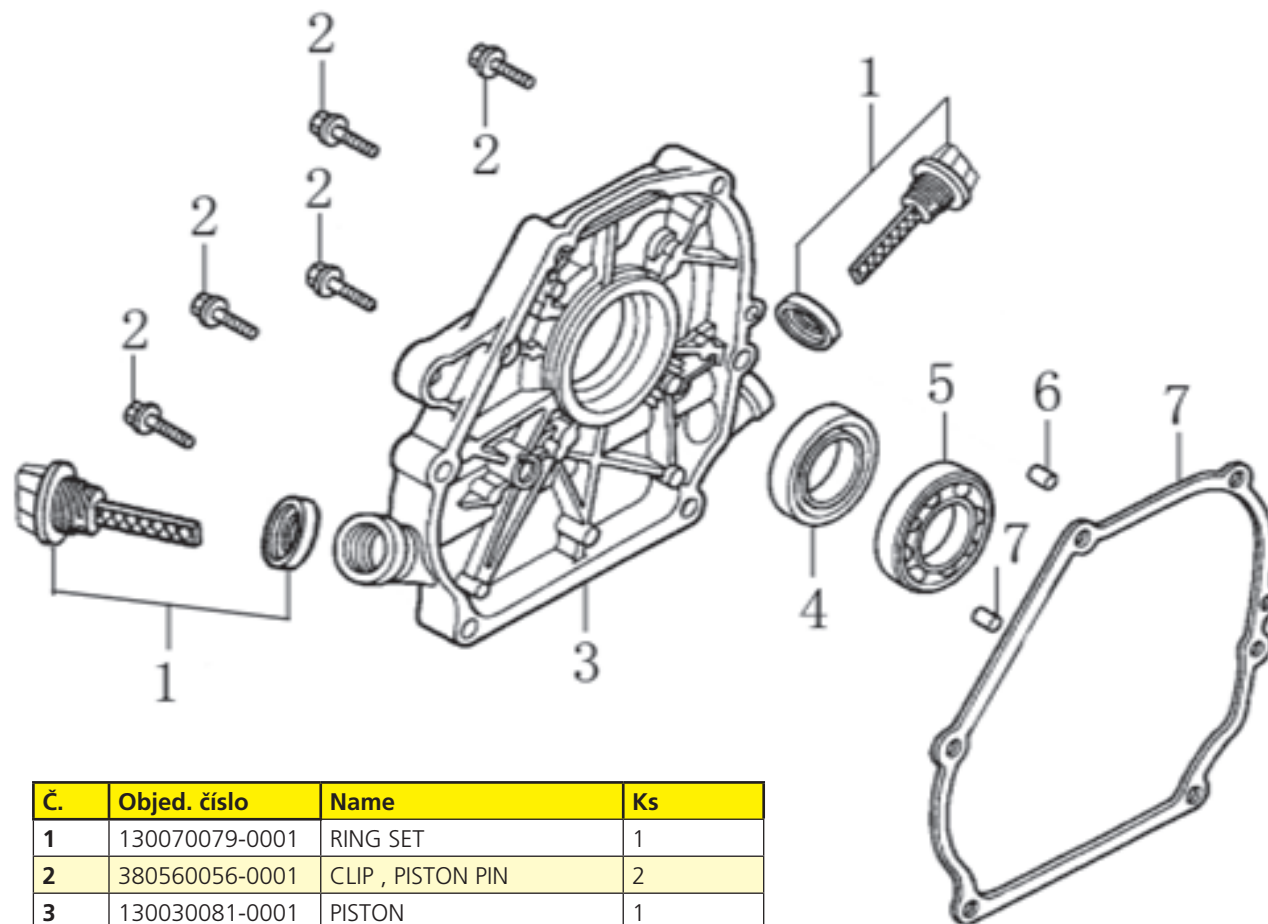


Č.	Objed. číslo	Name	Ks
1	110810004-0001	CRANK CASE	1
2	380650490-0001	OIL SEAL	1
3		WASHER , DRAIN PLUG	2
4		BOLT , DRAIN PLUG	2
5	281890003-0001	ALART UNIT ,OIL	1
6	380140011-0004	BOLT , FLANGE	1
7	281850160-0001	OIL LEVEL SWITCH	1
8	380140215-0003	BOLT , FLANGE	2
9	171750002-0001	GOVERNOR GEAR ASSY.	1
10		BEARING , RADIAL BALL	1
11		WASHER , PLAIN	1
12	381350004-0001	PIN , LOCK	1

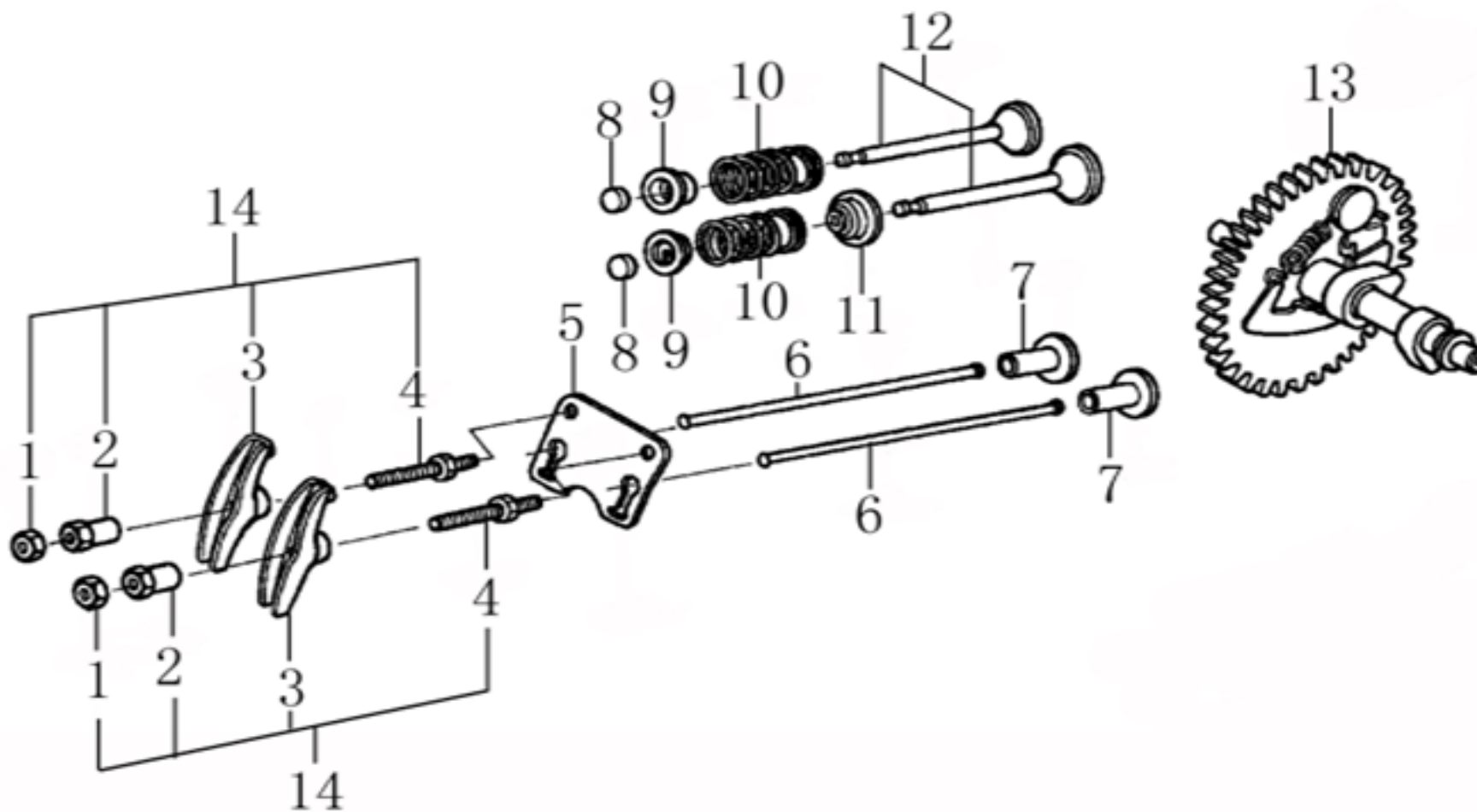
13	171630001-0001	SHAFT , GOVERNOR ARM	1
14	110940001-0001	BLEED-OFF PIPE	1
15	110950001-0001	CONNECTOR BLEED-OFF - PIPE	1



Č.	Objed. číslo	Name	Ks
1	110690035-0001	GAUGE ASSY., OIL LEVEL	2
2		BOLT , FLANGE	6
3	110820014-0001	CASE COVER	1
4	380650491-0001	OIL SEAL	1
5		BEARING	1
6	380600120-0001	PIN , DOWEL	2
7	110830007-0001	PACKING , CASE COVER	1

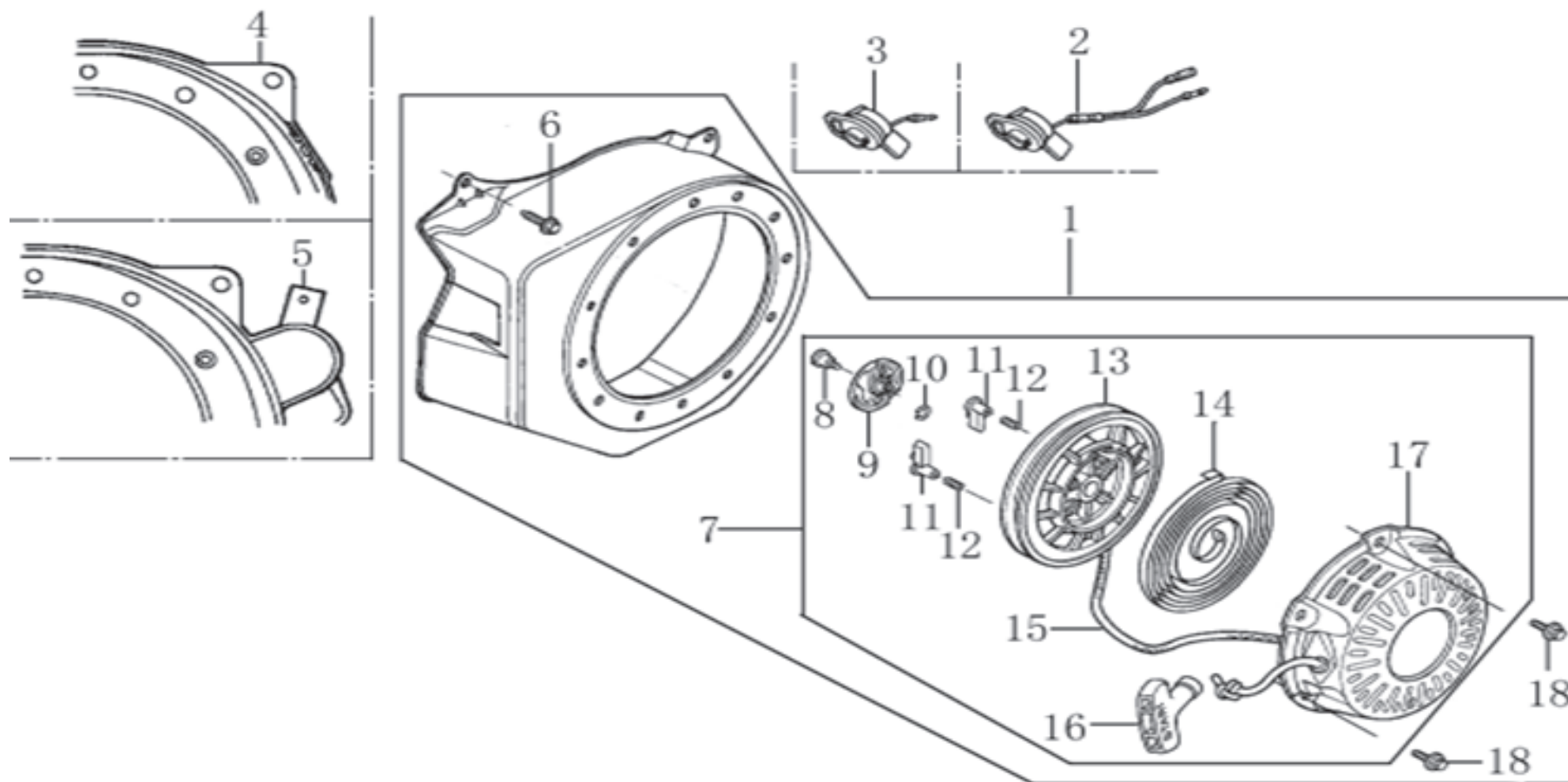


Č.	Objed. číslo	Name	Ks
1	130070079-0001	RING SET	1
2	380560056-0001	CLIP , PISTON PIN	2
3	130030081-0001	PISTON	1
4	130060031-0001	PIN , PISTON	1
5	130180001-0001	BOLT,CONNECTING ROD	2
6	130150039-0001	ROD ASSY ., CONNECTING	1
7	380620050-0001	KEY	1
8	130290035-0001	CRANKSHAFT COMP	1



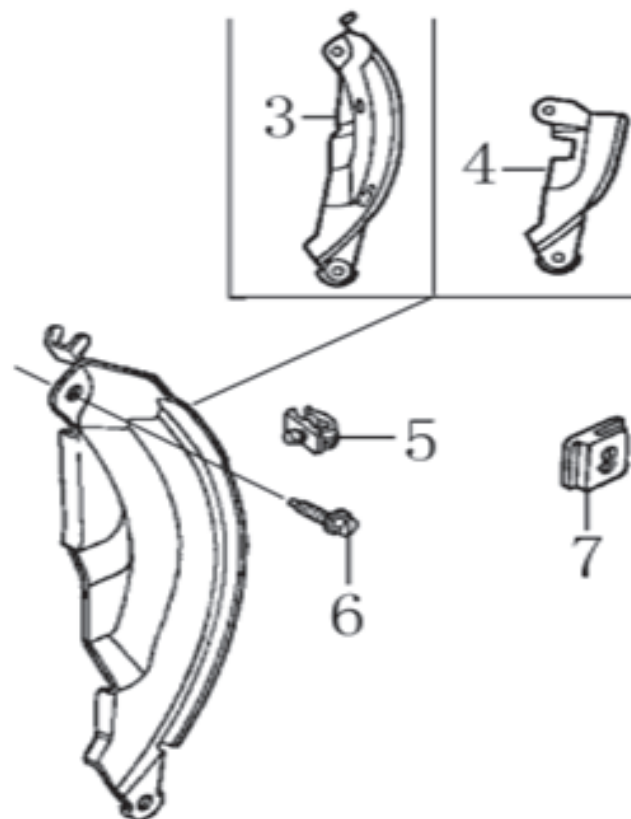
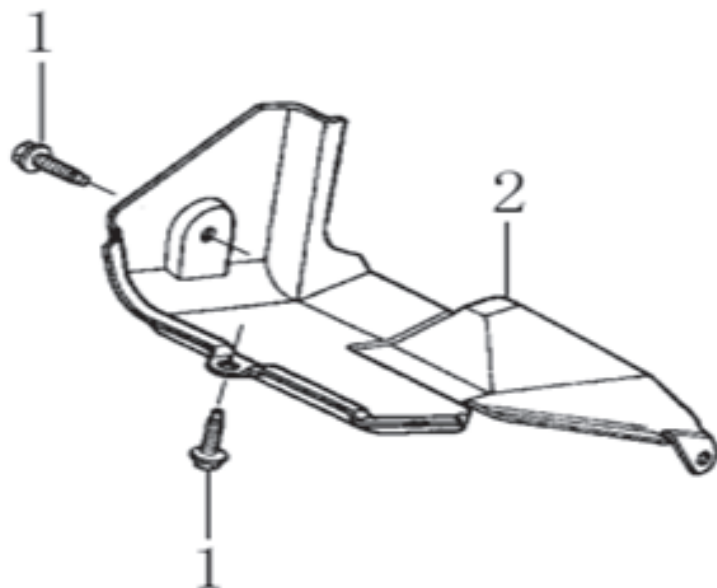
Č.	Objed. číslo	Name	Ks
1	140470001-0001	NUT , PIVOT ADJUSTING	2
2	140490012-0001	PIVOT , ROCKER ARM	2
3	140460030-0001	ARM , VALVE ROCKER	2
4	140480012-0001	BOLT , PIVOT ARM	2
5	140710001-0001	PLATE , PUSH ROD GUIDE	1
6	140670004-0001	ROD , PUSH	2
7	140690002-0001	LIFTER , VALVE	2

8	140320001-0001	RATATOR , VALVE	2
9	140380017-0001	RETAINER , VALVE SPRING	2
10	140340022-0001	SPRING , VALVE	2
11	140400011-0001	SEAL , GUIDE	1
12	500550024-0001	VALVE COMP.	1
13	140020038-0001	CAMSHAFT ASSY.	1
14	140450022-0001	ARM COMP.	2



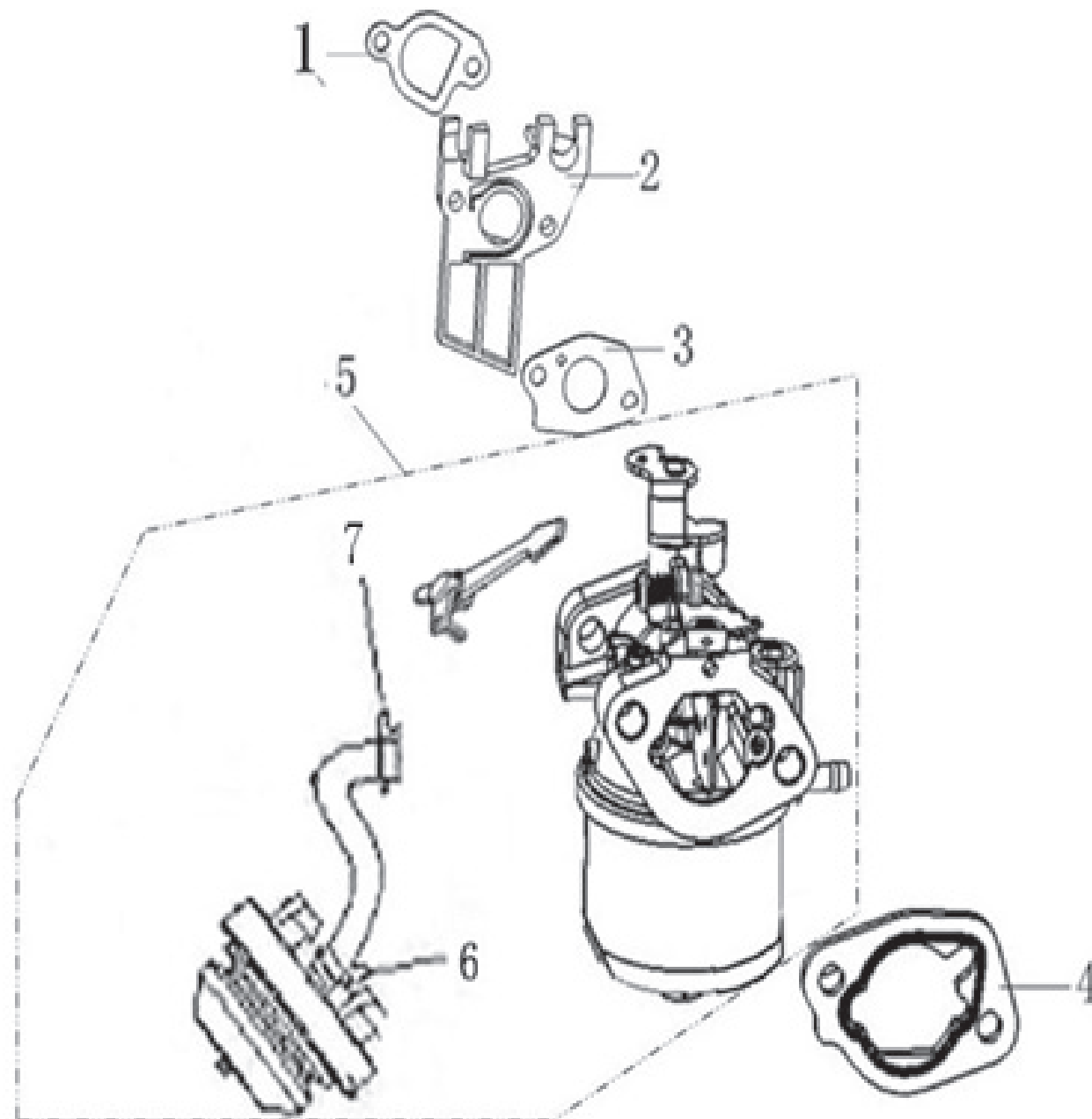
Č.	Objed. číslo	Name	Ks
1	193490022-0001	RECOIL STARTER COMP.	1
3	271660030-0001	SWITCH ASSY., ENGINE STOP	1
4	160210005-0002	COVER COMP., FAN	1
6		BOLT, FLANGE	4
7	193500031-0001	STARTER ASSY.	1
8	380020067-0001	SCREW, SETTING	1
9	193550003-0001	GUIDE, RATCHET	1

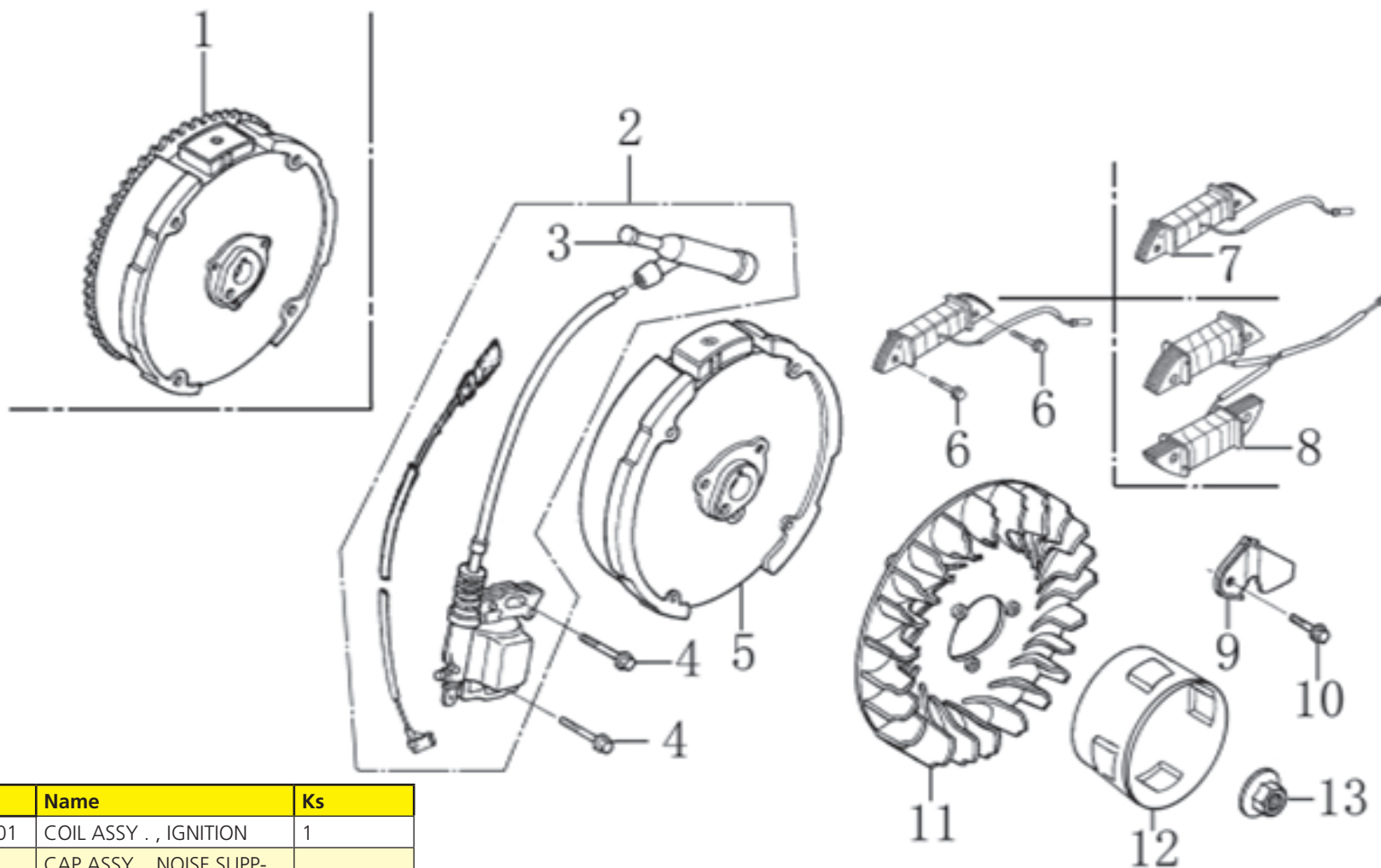
10	381150342-0001	SPRING, FRICTION	1
11	193540003-0001	RATCHET, STARTER	2
12	381160090-0001	SPRING, RETURN	2
13	193520003-0001	REEL, RECOIL STARTER	1
14	193340018-0001	SPRING, RECOIL STARTER	1
15	193530011-T040	ROPE	1
16	193560006-0001	KNOB, RECOIL STARTER	1
17	193640002-T040	COVER COMP., FAN	1
18		BOLT, FLANGE	3



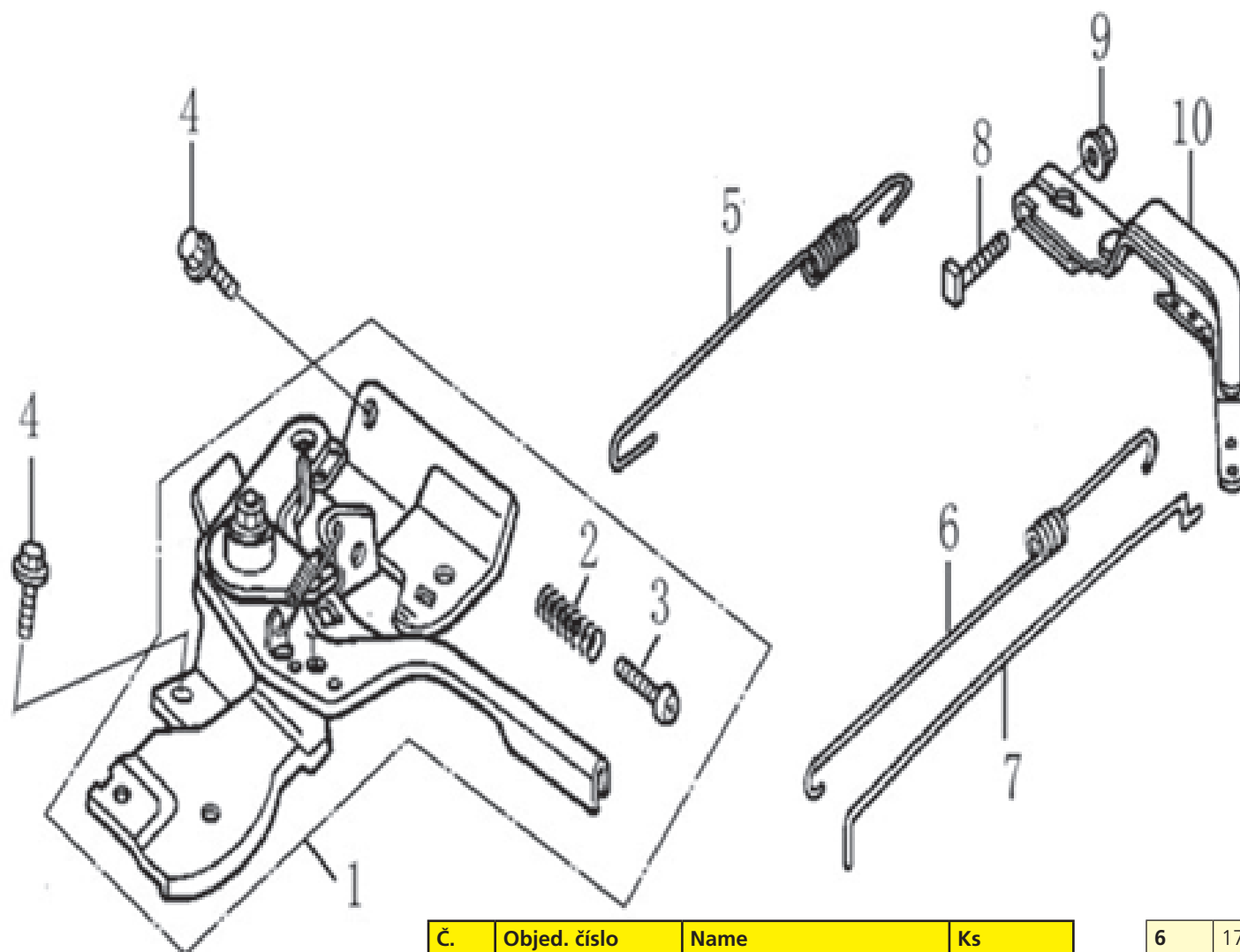
Č.	Objed. číslo	Name	Ks
1	380140089-0003	BOLT , FLANGE	2
2	160190004-0001	SHROUD COMP	1
3	160200011-0001	PLATE , SIDE	1
5	140280001-0001	CLIP,HARNESS	1
6		BOLT , FLANGE	1

Č.	Objed. číslo	Name	Ks
1	170430060-0001	PACKING , INSULATOR	1
2	170440038-0001	INSULATOR , CARBURETOR	1
3	170430048-0001	PACKING ., CARBURETOR	1
4	170430065-0001	SPACER COMP ., AIR CLEANER	1
5	170021068-0001	CARBURETOR	1
6	170260010-T040	STARTING VALVE	1
7	380750461-T040	TUBE , FUEL	1



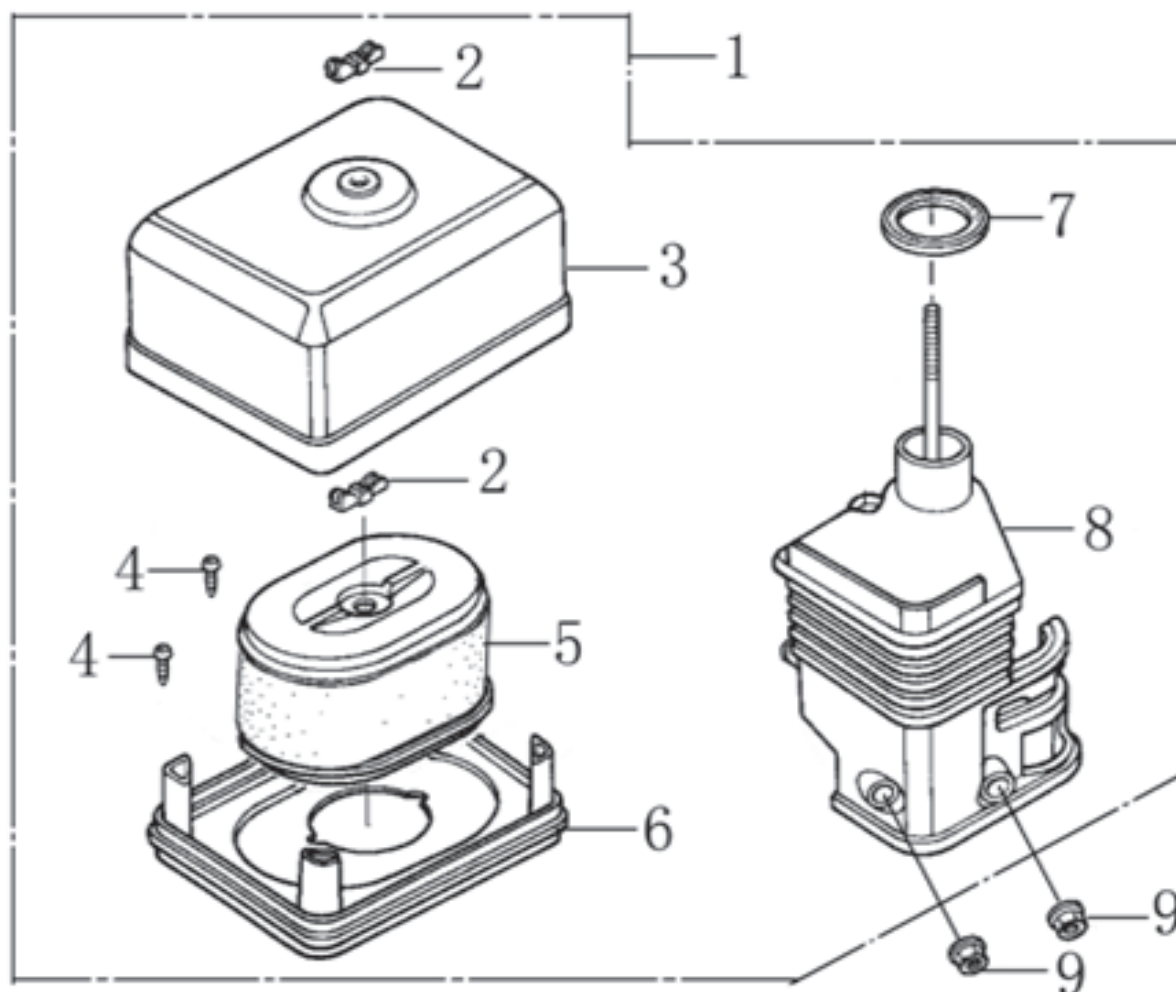


Č.	Objed. číslo	Name	Ks
2	270920180-0001	COIL ASSY . , IGNITION	1
3	270950042-0001	CAP ASSY . , NOISE SUPP- RESSOR	1
4		BOLT , FLANGE	2
5	270020097-0001	FLYWHEEL COMP	1
11	160180007-0001	FAN , COOLING	1
12	193590005-0001	PULLEY , STARTER	1
13	380370051-0001	NUT , SPECIAL	1



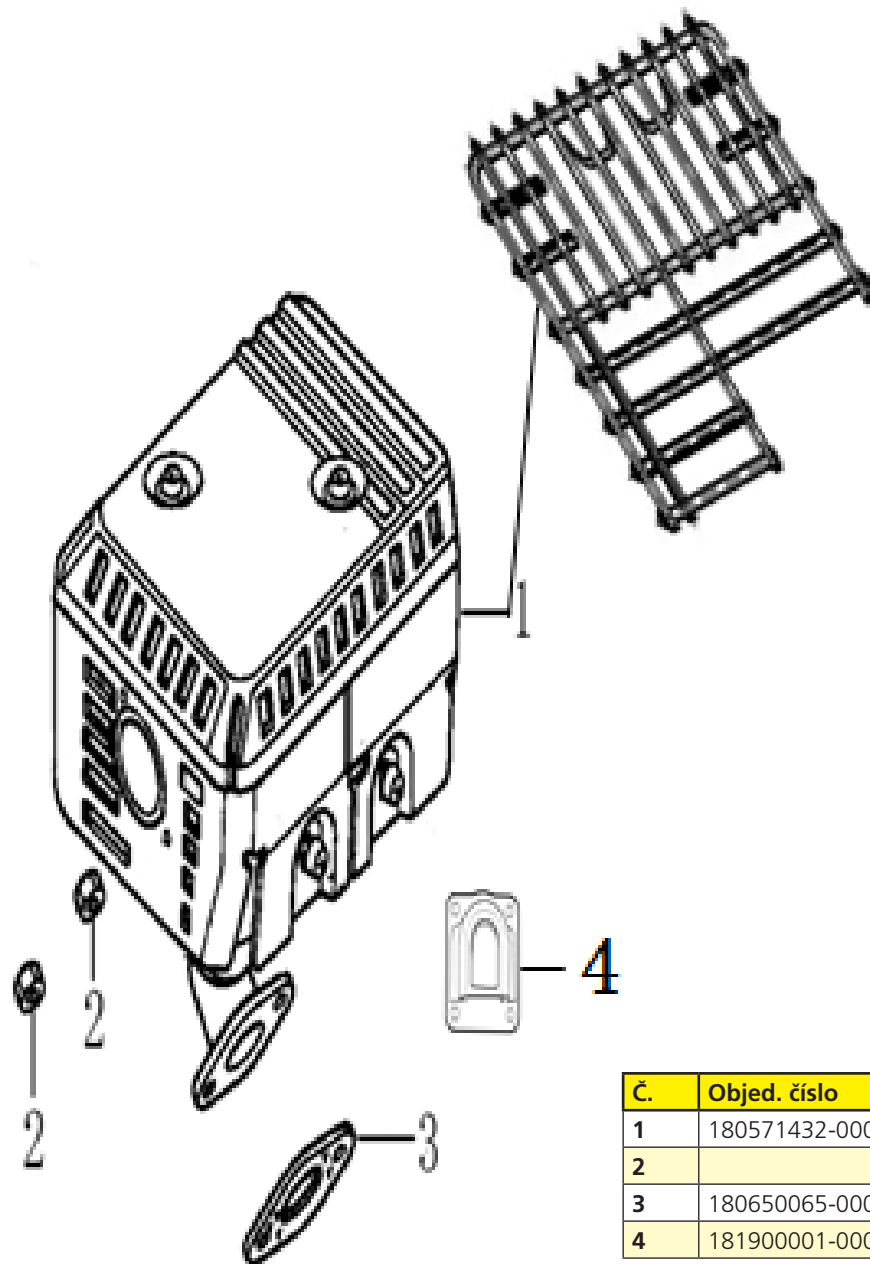
Č.	Objed. číslo	Name	Ks
1	171680028-0001	CONTROL ASSY.	1
2	171660001-0001	SPRING	1
3	380200017-0005	SCREW , 5x35	1
4		BOLT, FLANGE	2
5	171600053-0001	SPRING, GOVERNOR	1

6	171610002-0001	SPRING, THROTTLE RETURN	1
7	171590002-0001	ROD, GOVERNOR	1
8	380250002-0001	BOLT, QUADRATE HEAD	1
9		NUT, FLANGE	1
10	171620001-0001	ARM, GOVERNOR	1

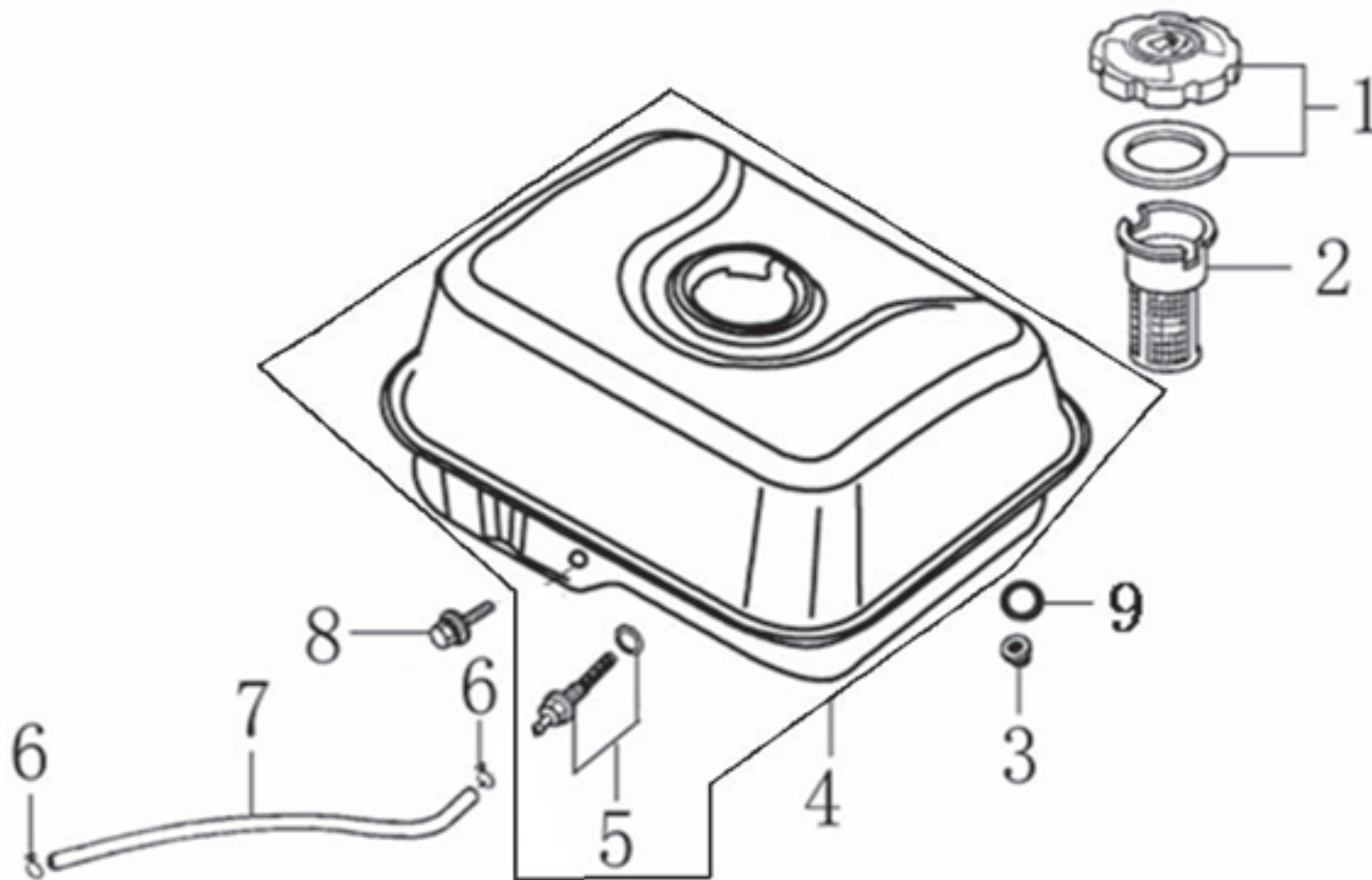


Č.	Objed. číslo	Name	Ks
1	180020641-0001	AIR CLEANER ASSY	1
2	380440002-0001	NUT , TOOL BOX SETTING	1
3	180070096-0001	COVER , AIR CLEANER	1
4	380310015-0005	SCREW	2

6	180330018-0001	NOSE , SILENCER	1
7	380840437-0001	PACKING , ELBOW	1
8	180280001-0001	ELBOW COMP., AIR CLEANER	1
9		NUT , FLANGE	2



Č.	Objed. číslo	Name	Ks
1	180571432-0001	MUFFLER ASSY.	1
2		NUT, HEX.	2
3	180650065-0001	GASKET , MUFFLER	1
4	181900001-0001	COVER,EXHAUST PIPE	1



Č.	Objed. číslo	Name	Ks
1	170870040-0001	CAP COMP ., FUEL FILLER	1
2	170720002-0001	FILTER , FUEL	1
3		NUT , FLANGE	2
4	" 170500522-0001 170660077-0001 "	TANK COMP ., FUEL	1
5		JOINT ASSY. , FUEL TANK	1

6	380950188-0001	CLIP , TUBE	2
7	380750180-0001	TUBE , FUEL	1
8		BOLT , FLANGE	1
9	380920086-0001	WASHER,RUBBER	2