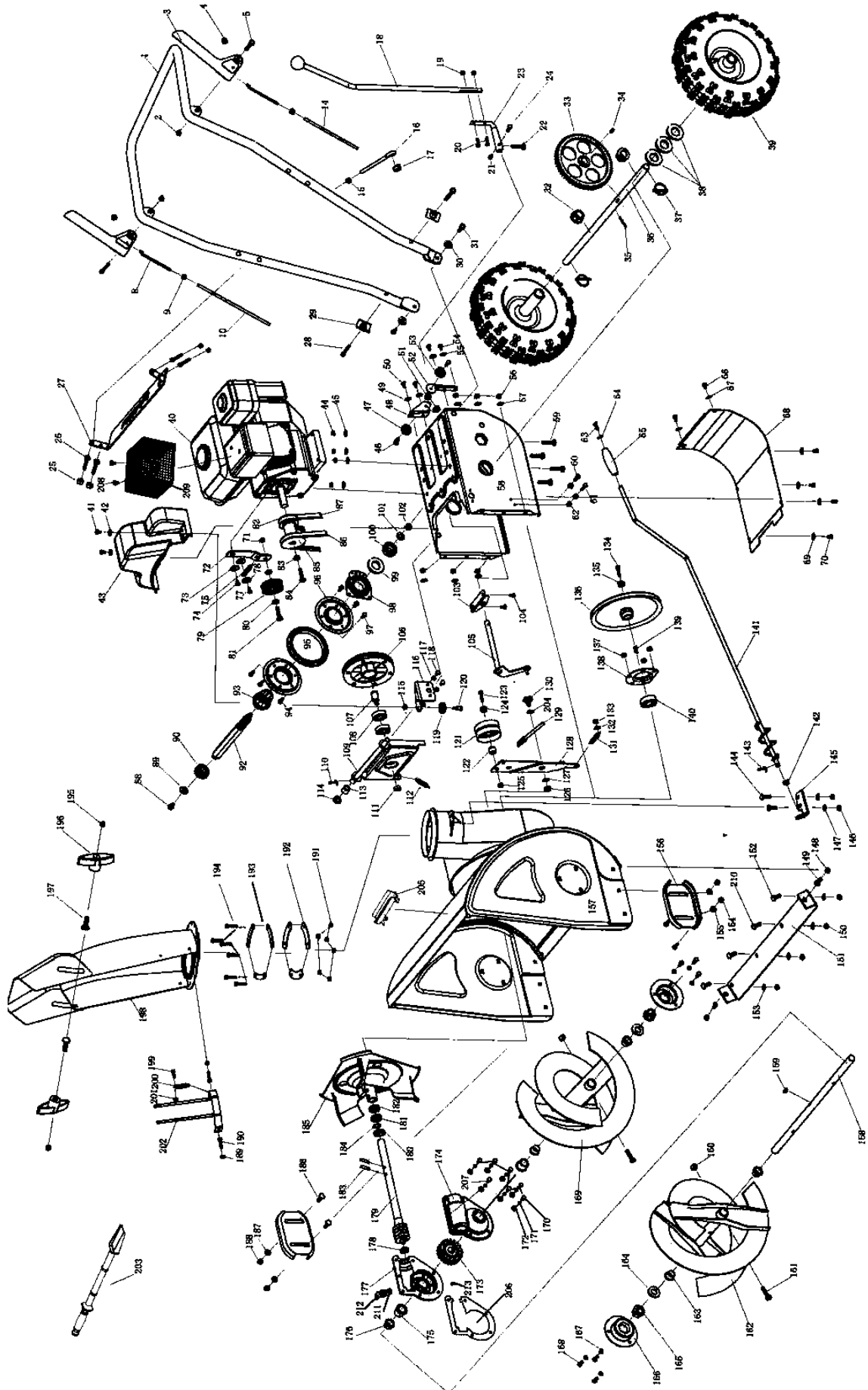


HECHT®

made for garden

9551



All parts of ZLST651Q&ZLST551Q

NO.	Code	English Name	Název	QT	model
1	SJ-042	SJ Iron Stick	madlo	2	
2	SB-01	SJ Handrail kit	matice M8	1set	M8
3	SJ-110	Lock nut	páka ovládání	2	
4	SJ-047	SJ Handle	podložka	2	
5	SB-02	SJ Rubber Cap	šroub	2	M8X45 GB5780-86
8	SJ-032B	Hexagonal Screw	táhlo lanka	2	
9	SB-04	nut	matice táhla M5	2	M5
10	SJ-032	SJ Iron Stick 1	bowden pojezdu	1set	
14	SJ-033	SJ Iron Stick 2	bowden šneku	1set	
15	SB-07	nut	matice M8	1	M8
16	SJ-044B	SJ Crank	táhlo	1	
17	SJ-044C	SJ Rubber Circle	pouzdro	1	
18	SJ-068A	SJ control arm	ovládání rychlostí	1	
19	SB-08	Lock nut	matice M6	2	M6
20	SB-09	Hexagonal Screw	šroub	2	M6X20 GB5780-86
21	SB-10	Lock nut	matice M6	1	M6
22	SB-11	Hexagonal Screw	šroub	1	M6X20
23	SJ-068B	SJ joystick plate	držák páky	1	
24	SB-12	Hexagonal Screw	šroub	1	M6X25 GB5780-86
25	SB-13	nut	matice	4	M6
26	SB-14	Hexagonal Screw	šroub	4	M6X35 GB5780-86
27	SJ-109	SJ Limit Frame	nosník	1	
28	SB-15	Hexagonal Screw	šroub	1	M8X40 GB5780-86
29	SJ-028	SJ Handle Washer	podložka	2	
30	SB-16	Plain cushion	podložka	2	φ8.5*φ22*1.8
31	SB-17	Hexagonal Screw	šroub	2	M8X20 GB5780-86
32	SJ-026	SJ head shaft sleeve	pouzdro	2	
33	SJ-003	SJ Gear	řemenice	1	
34	SB-18	Semicircular key	klínek	2	5×7.5×19 GB1099-79
35	SB-106	Pin	čep	1	35×φ6 GB879-86
36	SJ-017	SJ Drive Bearing	osa kol	1	
37	SJ-066	SJ Spring Pin	pojistka kola	2	
38	SB-20	Plain cushion	podložky	4	φ19.5*φ38*1.5
39	SB-21	Tyre	kolo	2	4.10-6
40	SJ-134	Gasoline Engine	motor	1	168
41	SB-22	Hexagonal Screw	šroub	2	M6X10 GB5780-86
42	SB-23	Plain cushion	podložka	2	φ6.5*φ11.5*1.5
43	SJ-031	SJ Pulley Cover	kryt	1	

44	SB-24	Lock nut	matice M8	4	M8
45	SB-25	Plain cushion	podložka	4	φ8.5*φ16*1.5
46	SJ-052	Hexagonal Screw	šroub	2	
47	SJ-016B	SJ wire pulley	kladka lanka	2	
48	SJ-016A	SJ pulley subpanel 1	držák	1	
49	SB-26	Plain cushion	podložka	2	φ6.5*φ12*0.75
50	SB-27	Hexagonal Screw	šroub	2	M6X12 GB5780-86
51	SB-28	Lock nut	matice M6	2	M6
52	SJ-014	SJ pulley subpanel 3	táhlo	1	
53	SJ-016B	SJ wire pulley	kladka lanka	2	
54	SB-29	Hexagonal Screw	šroub	2	M6X12 GB5780-86
55	SB-30	Plain cushion	podložka	2	φ6.5*φ12*0.75
56	SB-31	Lock nut	matice M8	6	M8
57	SB-32	Plain cushion	podložka	6	φ8.5*φ16*1.5
58	SJ-103	SJ Gearbox Cover	šasi	1	
59	SB-33	Hexagonal Screw	šroub	4	M8X35 GB5780-86
60	SB-34	Hexagonal Screw	šroub	1	M6X30
61	SB-35	Hexagonal Screw	šroub	1	M6X20
62	SB-36	Lock nut	matice M6	3	M6
63	SB-37	Cross bolt	šroub	1	M6X10 GB5780-86
64	SB-38	Plain cushion	podložka	1	φ6.5*φ18*1.5
65	SJ-018	SJ Handle Sleeve	madlo ovládní	1	
66	SB-39	Hexagonal Screw	šroub	2	M6X10 GB5780-86
67	SB-40	Plain cushion	podložka	1	φ6.5*φ12*0.5
68	SJ-102	SJ Gearbox Cover	kryt variátoru spodní	1	
69	SB-41	Plain cushion	podložka	4	φ6 GB95-85
70	SB-42	Hexagonal Screw	šroub	4	M6X10 GB5780-86
71	SB-43	Lock nut	matice M8	1	M8
72	SJ-045	SJ Tension Plate	páka	1	
73	SJ-046	Tension convex washer	podložka	1	
74	SB-44	Hexagonal Screw	šroub	1	M8X20 GB5780-86
75	SJ-035	SJ Spring 3	podložka	1	
77	SB-45	Hexagonal Screw	šroub M8*10	1	M8X10
78	SB-46	Plain cushion	podložka	2	φ8.5*φ15.5*1.5
79	SJ-025	SJ Tension pulley (+Bearing)	řemenice napínáku	1set	
80	SJ-008C	SJ Pallet	pouzdro	2	
81	SB-48	Hexagonal Screw	šroub	1	M8X30 GB5780-86
82	SJ-049	Man Synchronization Wheel	řemenice	1	
83	SB-49	Plain cushion	podložka	1	φ8.5*φ27.5*3

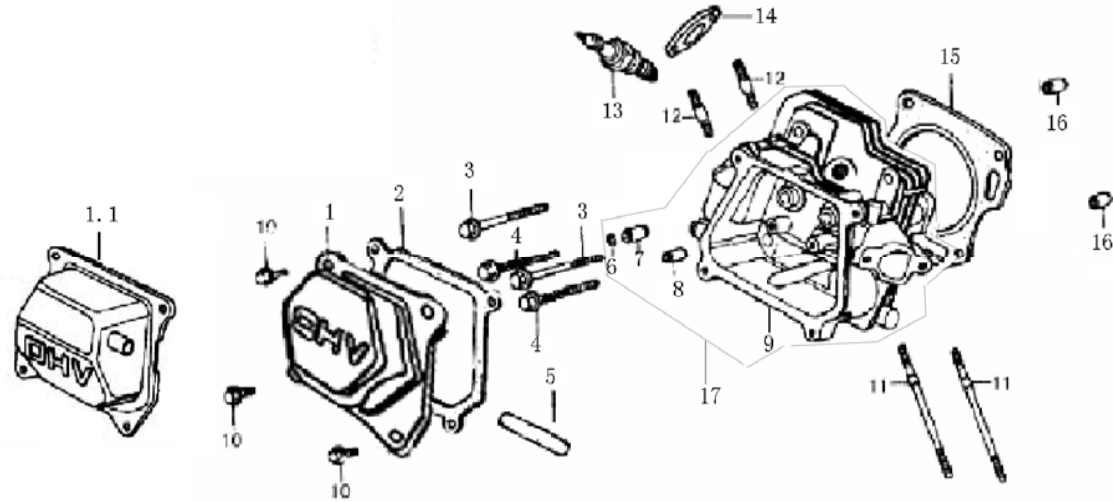
84	SB-50	Hexagonal Screw	šroub	1	M8X25 GB5780-86
85	SJ-049B	SJ Main pulley	řemenice	1	
86	SB-51	V-belt	klíňový řemen	1	Z895 GB11544-89
87	SB-52	Synchronization Belt	řemen plochý	1	5M 150齿, 宽15mm
88	SB-53	Hexagonal Screw	šroub	1	M8×16 GB5781-86
89	SB-54	Plain cushion	podložka	3	φ8.5*φ28*2
90	SB-55	Bearing	ložisko	1	203 GB277-82
92	SJ-005	SJ Hexagon	hřídel	1	
93	SJ-013C	SJ Change pulley	náboj řemenice	1	
94	SB-57	Hexagonal Screw	šroub	3	M6X12 GB5780-86
95	SJ-013D	SJ Change pulley Circle	gumový kroužek	1	
96	SJ-013A	SJ Change pulley washer	1/2 řemenice	2	
97	SB-58	Hexagonal Screw	šroub	3	M6X12 GB5780-86
98	SJ-013B	SJ Change pulley cover	domeček ložiska	2	
99	SB-59	Snap Spring	pojistný kroužek	1	φ35
100	SB-60	Deep slot bearing	ložisko	1	203 GB278-82
101	SB-61	Plain cushion	podložka	1	φ10.5*φ28*2
102	SB-62	nut	matice M10	1	M10 GB6170-86
103	SJ-002	SJ Orthogonal Iron	držák	1	
104	SB-63	Hexagonal Screw		2	M6X10 GB5780-86
105	SJ-040	SJ Gearlever	páka	1set	
106	SJ-010A	Drive Synchronization Wheel	kolo pohonu	1	
107	SJ-010B	SJ Driving bearing	čep kola pohonu	1	
108	SB-64	Deep slot bearing	ložisko	2	203 GB278-82
109	SJ-007	SJ Pulley bracket	víko	1set	
110	SB-65	Pin	čep	1	35×φ2.5 GB879-86
111	SB-66	Lock nut	matice M10	1	M10
112	SJ-069	Spring 6	pružina D.6	1	
113	SJ-107	SJ Separate Sleeve	pouzdro	1	
114	SB-67	Plain cushion	podložka	1	φ13*φ24*2
115	SB-68	Lock nut	matice M6	1	M6
116	SJ-015	2	držák	1	
117	SB-69	Plain cushion	podložka	2	φ6.5*φ12*0.75
118	SB-70	Hexagonal Screw	šroub	2	M6X10 GB5780-86
119	SJ-016B	SJ wire pulley	kladka bowdenu	1	
120	SJ-052	Hexagonal Screw	šroub	1	

121	SJ-008	SJ Tension pulley 2(+Bearing)	řemenice napínáku	1set	
122	SJ-008B	SJ Washer	podložka	1	
123	SB-71	Hexagonal Screw	šroub	1	M8X45 GB5780-86
124	SJ-008C	SJ Pallet	pouzdro	1	
125	SB-72	Lock nut	matice M8	1	M8
126	SB-73	Lock nut	Matice M10	1	M10
127	SB-74	Plain cushion	podložka	1	φ10.5*φ20*2
128	SJ-023	SJ Dead plate	držák	1	
129	SJ-032A	Spring 1	pružina napínáku	1	
130	SJ-050	SJ Hexangular Screw 1	šroub	1	
131	SJ-037	Spring 5	pružina	1	
132	SB-75	Plain cushion	podložka	1	φ8.5*φ16*1.5
133	SB-76	Lock nut	matice M8	1	M8
134	SB-77	Hexagonal Screw	šroub	1	M8X20 GB5780-86
135	SB-78	Plain cushion	podložka	1	φ8.5*φ28*2
136	SJ-039	SJ Pulley	řemenice	1	
137	SB-79	Lock nut	matice M8	1	M8
138	SJ-004	SJ Rockered Cover	domeček ložiska	1	
139	SB-80	Square Key	klínek	1	6×6×15 GB1099-79
140	SB-81	Bearing	ložisko	1	204 GB3882-87
141	SJ-044A	SJ Handle	ovládání výhozu	1	
142	SJ-011A	SJ subpanel plastic circle	podložka	1	
143	SB-82	Pin	čep	1	35×φ2.5 GB879-86
144	SB-83	Step bolt	šroub	4	M8×20 GB12-88
145	SJ-011	SJ Subpanel	držák	1	
146	SB-84	Lock nut	matice M8	2	M8
147	SB-85	Plain cushion	podložka	1	φ8.5*φ22*2
148	SB-86	Lock nut	matice M8	2	M8
149	SB-87	Step bolt	šroub	2	M8×16 GB12-88
150	SB-88	Lock nut	Matice M8	4	M8
151	SJ-006	SJ Shave Plate	škrabka	1	
152	SB-89	Step bolt	šroub	4	M8×18 GB12-88
153	SB-90	Plain cushion	podložka	4	φ8.5*φ22*2
154	SB-91	Lock nut	matice M8	2	M8
155	SB-92	Plain cushion	podložka	2	φ8.5*φ22*2
156	SJ-111	SJ Sliding Stick	kluzák	2	
157	SJ-104	SJ Steel Cover	skříň naběru	1set	
158	SJ-022	SJ Output Shaft	hřídel šneku	1	
159	SB-93	Woodruff Key	woodruffovo pero	1	5×7.5×19 GB1099-79
160	SB-94	Lock nut	pojistná matice	2	M8

161	SJ-070	Not-Standard Screw	pojistný šroub	2	M8X38
162	SJ-067A	SJ Left Auger	šnek frézy levý	1	
163	SJ-019	SJ Drive Shaft Sheath	pouzdro	1	
164	SB-96	Plain cushion	podložka	2	φ19.5*φ38*1.5
165	SJ-020	SJ Shaft Sheath	pouzdro	2	
166	SJ-024	SJ Bearing Cover	domeček ložiska	2	
167	SB-97	Plain cushion	podložka	6	φ8.5*φ15*1.5
168	SB-98	Hexagonal Screw	šroub	6	M8X10 GB5780-86
169	SJ-067	SJ Right Auger	pravá polovina šneku frézy	1	
170	SB-99	Hexangular Screw	šroub	7	M6×20 GB5781-86
171	SB-100	Spring Washer	podložka	7	φ6.5*φ9*1.5
172	SB-101	Plain cushion	podložka	7	φ6.5*φ12*0.5
173	SJ-038	SJ Worm Wheel	převodové kolo	1	
174	SJ-101	SJ Upper Pedestal	levá polovina skříně převodu	1	
175	SJ-108	SJ Shaft Sheath	pouzdro	1	
176	SJ-019	SJ Drive Shaft Sheath	pouzdro	3	
177	SJ-101A	SJ Pedestal	pravá polovina skříně převodu	1	
178	SB-102	Deep slot bearing	ložisko	1	101 GB276-82
179	SJ-030	SJ Drive Worm shaft	hřídel pohonu šneku	1	
180	SB-103	Deep slot bearing	ložisko	1	904 GB276-82
181	SB-104	One direction thrust bearing	ložisko	1	8104 GB301-84
182	SB-105	Oil Seal	těsnění	1	
183	SB-106	Pin	čep hřídele	2	30×φ6 GB879-86
184	SJ-057	Washer	podložka	1	
185	SJ-001	SJ Fan	lopatkové kolo	1set	
186	SB-107	Step bolt	šroub	2	M8×18 GB12-88
187	SB-108	Plain cushion	podložka	2	φ8.5*φ22*2
188	SB-109	Lock nut	matice M8	2	M8
189	SB-110	Lock nut	matice M6	2	M6
190	SB-111	Hexagonal Screw	šroub	2	M6X16 GB5780-86
191	SB-112	Lock nut	matice M6	6	M6
192	SJ-021	Chute Bead	podložka	3	
193	SJ-021C	Chute Gasket	podložka	3	φ5xφ10
194	SB-113	Hexagonal Screw	šroub	6	M6X16
195	SB-114	Lock nut	matice M8	2	M8
196	SJ-138	handle	křídlová matice	2	
197	SB-115	Step bolt	šroub	2	M8×25 GB12-88
198	SJ-140	Chute	komín výhozu	1set	

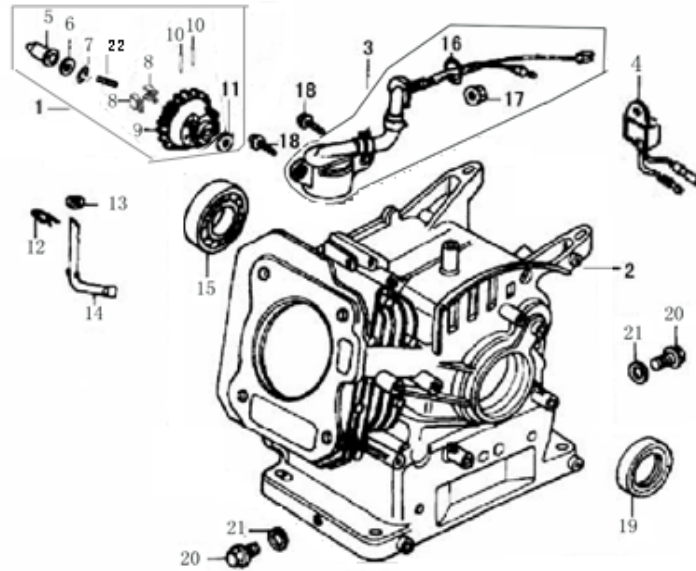
199	SB-116	Hexagonal Screw	šroub	1	M6X20
200	SJ-036	Spring 4	pružina	1	
201	SB-117	Lock nut	matice M6	1	M6
202	SJ-012	SJ Discharge Chute Accessories	držák usměřovače	1set	
203	SJ-150	plastic shovel	lopatka na čištění	1	
204	SB-118	Plain cushion	podložka	1	φ16.5xφ30
205	SJ-151	shovel pedestal	držák lopatky	1	
206	SJ-113	paper pedestal		1	
207	SB-119	Hexagonal nut	šroub	1	M6X25
208	SB-120	flange screw	šroub	2	M5X20
209	SJ-130	insulation cover	kryt výfuku	1	
210	SB-121	Step bolt	šroub	2	M8×16 GB12-88
211	SB-122	light shelf		1	
212	SB-123	refuelling noz		1	M10X1
213	SB-124	straight bolt		1	M5

Cylinder Head



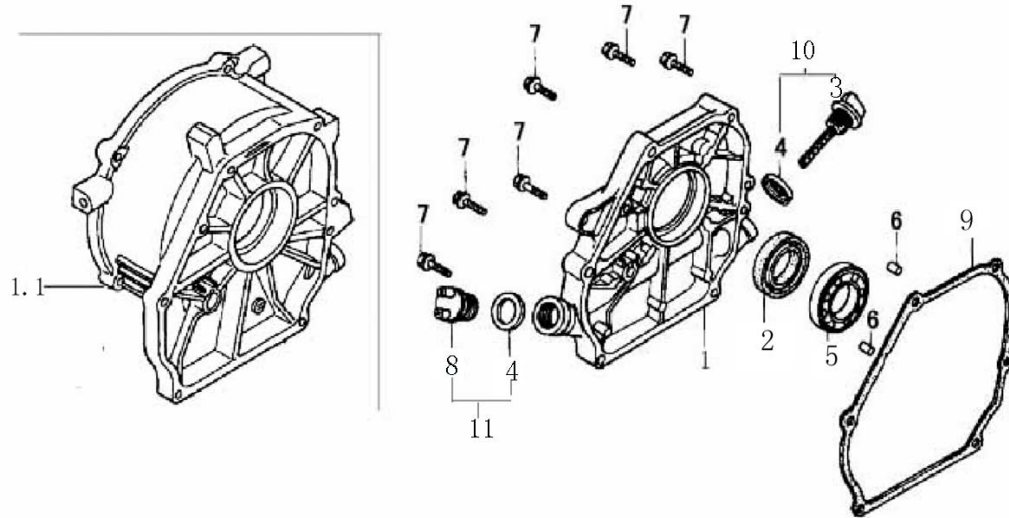
No.	Part No.	English	ZS168FA	ZS168FB	No.	Part No.	English	ZS168FA	ZS168FB
1	11221-KB01-0100	COVER COMP, HEAD	1	1	12	91138-KB03-0000	STUD, 8×34	2	2
1, 1	11221-KB01-0000	COVER COMP, HEAD	1	1	13	81300-KB01-0000	PLUG, SPARK	1	1
2	90229-KB01-0000	GASKET, HEAD COVER	1	1	14	18007-KB01-0000	GASKET, MUFFLER	1	1
3	B057890008005570B	BOLT, FLANGE, 8×55	2	2	15	9022B-KB01-0000	GASKET, CYLINDER HEAD	1	-
4	B057890008005570N	BOLT, FLANGE, 8×55	2	2		9022B-LB16-0000	GASKET, CYLINDER HEAD	-	1
5	12104-KB01-0000	EXHAUST PIPE	1	1	16	91521-1000160000	PIN, DOWEL, 10×16	2	2
6	B000930006000000B	CLIP, VALVE GUIDE	1	1	17	1122B-KB01-0000	CYLINDER HEAD COMP	1	
7	11247-KB01-0000	GUIDE, EX. VALVE	1	1		1122B-LB16-0000	CYLINDER HEAD COMP		1
8	11246-KB01-0000	GUIDE, IN. VALVE	1	1					
9	11245-KB01-0000	CYLINDER HEAD	1	1					
10	B057890006001470B	BOLT, FLANGE, 6×14	4	4					
11	91127-KB01-0000	STUD, 6×113	2	2					

Crankcase Comp.



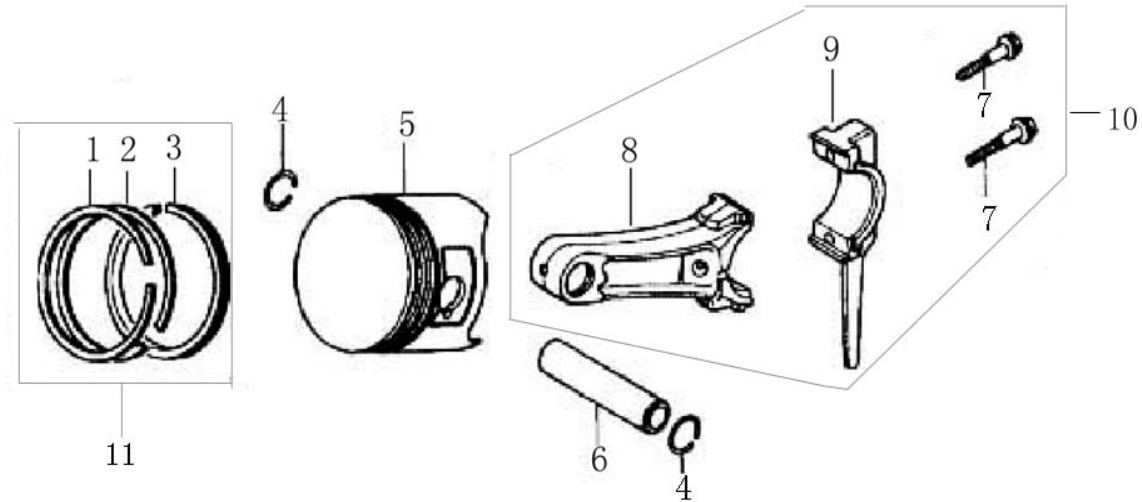
No.	Part No.	English	ZS168FA	ZS168FB	No.	Part No.	English	ZS168FA	ZS168FB
1	24620-KB01-0000	GOVERNOR KIT	1	1	12	24606-KB01-0000	PIN, LOCK	1	1
2	12007-KB01-0000	CRANKCASE COMP.	1	-	13	90101-10052000190	O-RING	1	1
	12007-LB16-0000	CRANKCASE COMP.	-	1	14	24605-KB01-0000	GOVERNOR ARM	1	1
3	87400-KB01-0000	OIL SENSOR	1	1	15	92102-0000000620	RADIAL BALL BEARING(6205)	1	1
4	87420-KB01-0000	AMPLIFIER	1	1	16	90101-10000000180	O-RING, 9MM	1	1
5	24622-KB01-0000	SLIDER, GOVERNOR	1	1	17	B061770110000060	NUT, FLANGE, 10MM	1	1
6	24628-KB01-0000	WASHER	1	1	18	B057890006001670	BOLT, FLANGE, 6×16	2	2
7	24623-KB01-0000	CLIP, GOVERNOR HOLDER	1	1	19	T110502500412560	OIL SEAL, 25×41.25×6	1	1
8	24624-KB01-0000	WEIGHT, GOVERNOR	2	2	20	91103-KB01-0000	BOLT, DRAIN PLUG	2	2
9	24626-KB01-0000	SLAVE GEAR GOVERNOR	1	1	21	91302-9100151600	WASHER. 10×16×1.5	2	2
10	24625-KB01-0000	PIN, GOVERNOR WEIGHT	2	2	22	24621-KB01-0000	SHAFT	1	1
11	24628-KB01-0000	WASHER	1	1					

left Crankcase Cover



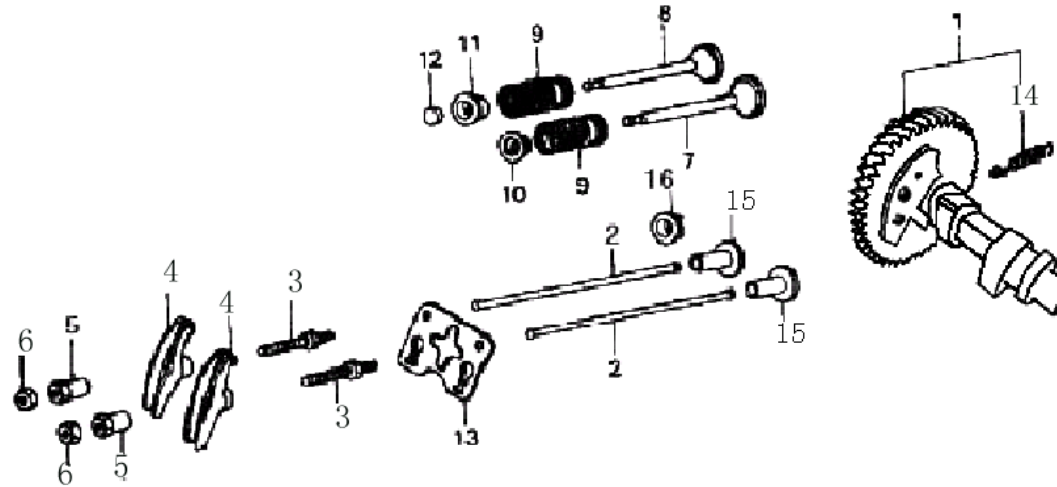
No.	Part No.	English	ZS168FA	ZS168FB
1	12301-KB01-0000	COVER COMP, LEFT CRANKCASE	1	1
1, 1	12301-KB03-0000	COVER COMP, LEFT CRANKCASE	1	1
2	T1105025004125600	OIL SEAL, 25×41.25×	1	1
3	14312-KB01-0000	DIPSTICK	1	1
4	14303-KB01-0000	O-RING	2	2
5	92102-00000006205	BEARING, 6205	1	1
6	91521-08001400000	PIN, DOWEL, 8×14	2	2
7	B057890008003270B	BOLT, FLANGE, 8×32	6	6
8	14315-KB01-0000	OIL FILLER PLUG	1	1
9	90208-KB01-0000	GASKET, CASE COVER	1	1
10	14301-KB01-0000	DIPSTICK COMP	1	1
11	14311-KB01-0000	OIL FILLER PLUG COMP	1	1

Piston Connecting Rod Assy.



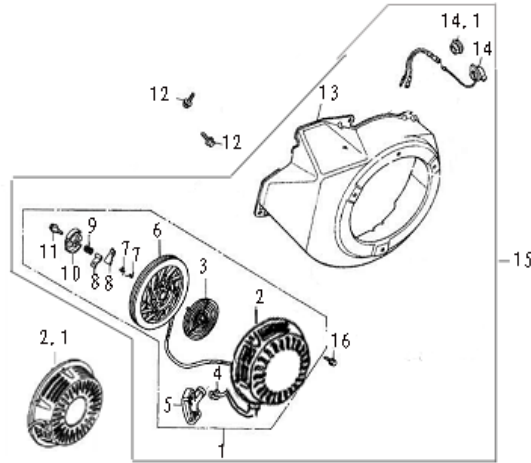
No.	Part No.	English	ZS168FA	ZS168FB
1	13103-KB01-0000	FIRST RING SET, PISTON	1	1
2	13104-KB01-0000	SECOND RING SET, PISTON	1	1
3	13120-KB01-0000	OIL RING SET, PISTON	1	1
4	13105-KB01-0000	CLIP, PISTON PIN, 18MM	2	2
5	13101-KB01-0000	PISTON	1	-
	13101-LB16-0000	PISTON	-	1
6	13102-KB01-0000	PIN, PISTON	1	1
7	13215-KB01-0000	BOLT, CONNECTING ROD	2	2
8	13204-KB01-0000	CONNECTING ROD	1	1
9	13214-KB01-0000	CONNECTING ROD COVER	1	1
10	13220-KB01-0000	CONNECTING ROD CAP	1	1
11	1310A-KB01-0000	RING SET COMP, PISTON	1	1

Camshaft



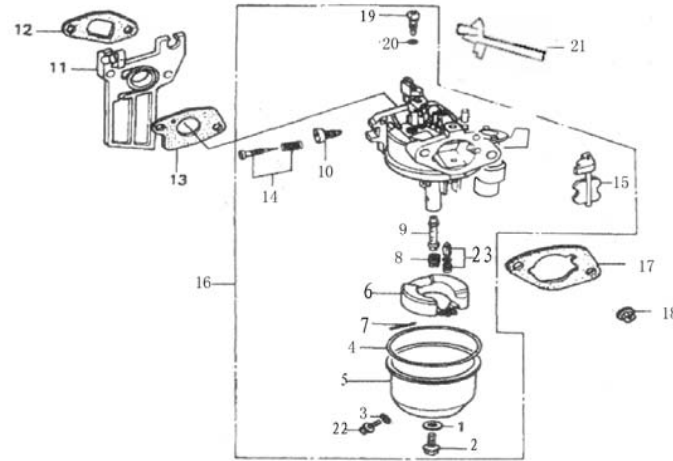
No.	Part No.	English	ZS168FA	ZS168FB	No.	Part No.	English	ZS168FA	ZS168FB
1	15100-KB01-0000	CAMSHAFT ASSY.	1	-	13	15406-KB01-0000	PLATE, PUSH ROD GUIDE	1	1
	15100-LB16-0000	CAMSHAFT ASSY.	-	1	14	15162-KB01-0000	SPRING, WEIGHT RETURN	1	1
2	15321-KB01-0000	ROD, PUSH	2	2	15	15002-KB01-0000	LIFTER, VALVE	2	-
3	15415-KB01-0000	BOLT, PIVOT	2	2		15002-LB16-0000	LIFTER, VALVE	-	2
4	15401-KB01-0000	ARM, VALVE ROCKER	2	2	16	1572B-KB03-0000	COVER OF BLOCK OIL	1	1
5	15403-KB01-0000	ADJUSTING NUT VAL	2	2					
6	15414-KB01-0000	NUTT, PIVOT LOCKING	2	2					
7	15701-KB01-0000	VALVE, INLET	1	1					
8	15702-KB01-0000	VALVE, EXHAUST	1	1					
9	15703-KB01-0000	SPRING, VALVE	2	2					
10	15711-KB01-0000	INTAKE VALVE SPRING	1	1					
11	15712-KB01-0000	EXHAUST VALVE SPRING	1	1					
12	15713-KB01-0000	ADJUSTER, EX. VALVE	1	1					

Recoil Starter



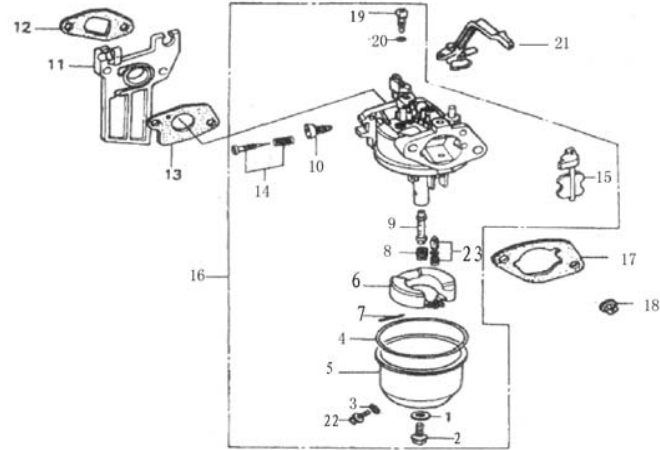
No.	Part No.	English	ZS168FA	ZS168FB	No.	Part No.	English	ZS168FA	ZS168FB
1	21510-KB01-0600	STARTER COMP, RECOIL	1	1	14	72380-KB01-0000	SWITCH ASSY, ENGINE STOP	1	1
2	21519-KB01-0000	STARTER CZSE COMP ,	1	1	14, 1	21531-KB01-0000	GROMMET, DRAIN HOLE	1	1
2, 1	21519-KB01-0001	STARTER CZSE COMP ,	1	1	15	21500-KB01-5100	RECOIL STARTER ASSY	1	1
3	21514-KB01-0000	SPRING, STARTER RETU	1	1	16	B057890006001070	BOLT, FLANGE, 6×10	3	3
4	21517-KB01-0000	ROPE, RECOIL STARTER	1	1					
5	21516-KB01-0000	HANDLE, STARTER	1	1					
6	21511-KB01-0000	REEL, RECOIL STARTER	1	1					
7	21515-KB01-0000	SPRING, RETURN	1	1					
8	21512-KB01-0000	RATCHET, STARTER	2	2					
9	21518-KB01-0000	SPRING	1	1					
10	21513-KB01-0000	RATCHET, GUIDE	1	1					
11	21521-KB01-0000	SCREW, SETTING	1	1					
12	B057890006001470B	BOLT, FLANGE, 6×14	4	4					
13	21530-KB01-0400	FAN COVER COMP.	1	1					

Carburetor



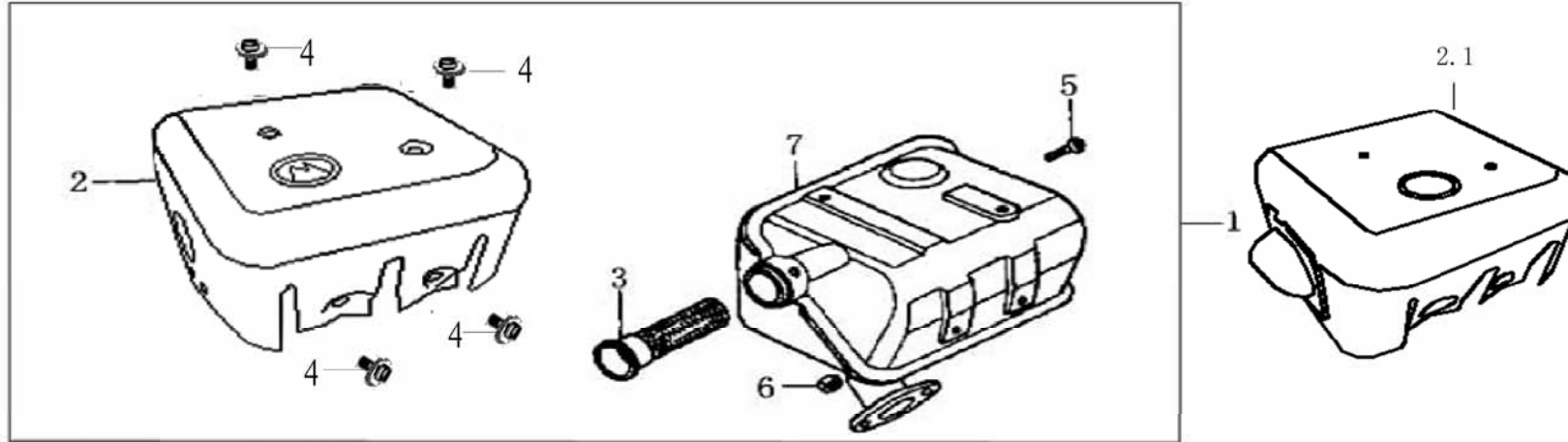
No.	Part No.	English	ZS168FA	ZS168FB	No.	Part No.	English	ZS168FA	ZS168FB
1	17189-KB01-0000	GASKET SET	1	1	15	17154-KB01-0000	CHOKE SET	1	1
2	17159-KB01-0000	SCREW SET	1	1	16	17100-KB01-0000	CARBURETOR Assy.	1	-
3	17188-KB01-0000	GASKET SET	1	1		17100-LB16-0000	CARBURETOR Assy.	-	1
4	17157-KB01-0000	GASKET SET	1	1	17	17113-KB01-0000	PACKING, AIR CLEANER	1	1
5	17153-KB01-0000	CHAMBER SET, FLOAT	1	1	18	B061770106000060	NUT, FLANGE, 6MM	2	2
6	17152-KB01-0000	FLOAT SET	1	1	19	17161-KB01-0000	JET SET, PILOT.	1	1
7	17171-KB01-0000	VALVE SET, FLOAT	1	1	20	17194-KB01-0000	CARBURETOR PACKING	1	1
8	17162-KB01-0000	JET, MAIN	1	1	21	17163-KB01-0000	LEVER COMP. , CHOKE	1	1
9	17168-KB01-0000	NOZZLE, MAIN	1	1	22	17186-KB01-0000	DRAIN SCREW SET	1	1
10	17158-KB01-0000	SCREW, THROTTLE ADJUST	1	1	23	17170-KB01-0000	VALVE SET, FLOAT	1	1
11	17112-KB01-0000	INSULATOR, CARBURETOR	1	1					
12	17107-KB01-0000	PACKING, INSULATOR	1	1					
13	17182-KB01-0000	PACKING, CARBURETOR	1	1					
14	17130-KB01-0000	SCREW SET, PILOT	1	1					

Carburetor



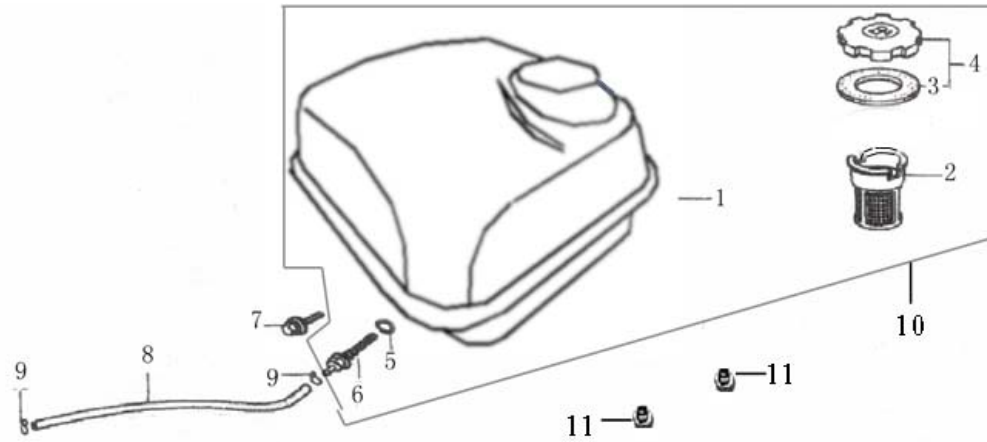
No.	Part No.	English	ZS168FA	ZS168FB	No.	Part No.	English	ZS168FA	ZS168FB
1	17189-KB01-0000	GASKET SET	1	1	15	17154-KB01-0000	CHOKE SET	1	1
2	17159-KB01-0000	SCREW SET	1	1	16	17100-KB03-0000	CARBURETOR Assy	1	-
3	17188-KB01-0000	GASKET SET	1	1		17100-LB18-0000	CARBURETOR Assy	-	1
4	17157-KB01-0000	GASKET SET	1	1	17	17113-KB01-0000	PACKING, CARBURETOR	1	1
5	17153-KB01-0000	CHAMBER SET, FLOAT	1	1	18	B061770106000060	NUT, FLANGE, 6MM	2	2
6	17152-KB01-0000	FLOAT SET	1	1	19	17161-KB01-0000	JET SET, PILOT, #38	1	1
7	17171-KB01-0000	VALVE SET, FLOAT	1	1	20	17194-KB01-0000	CARBURETOR PACKING	1	1
8	17162-KB03-0000	JET, MAIN	1	1	21	17163-KB01-0000	LEVER COMP, CHOKE	1	1
9	17168-KB01-0000	NOZZLE, MAIN	1	1	22	17186-KB01-0000	DRAIN SCREW SET	1	1
10	17158-KB01-0000	SCREW, THROTTLE ADJUST	1	1	23	17170-KB01-0000	VALVE SET, FLOAT	1	1
11	17112-KB01-0000	INSULATOR, CARBURETOR	1	1					
12	17107-KB01-0000	PACKING, INSULATOR	1	1					
13	17182-KB01-0000	PACKING, CARBURETOR	1	1					
14	17130-KB01-0000	SCREW SET, PILOT	1	1					

Muffler COMP.



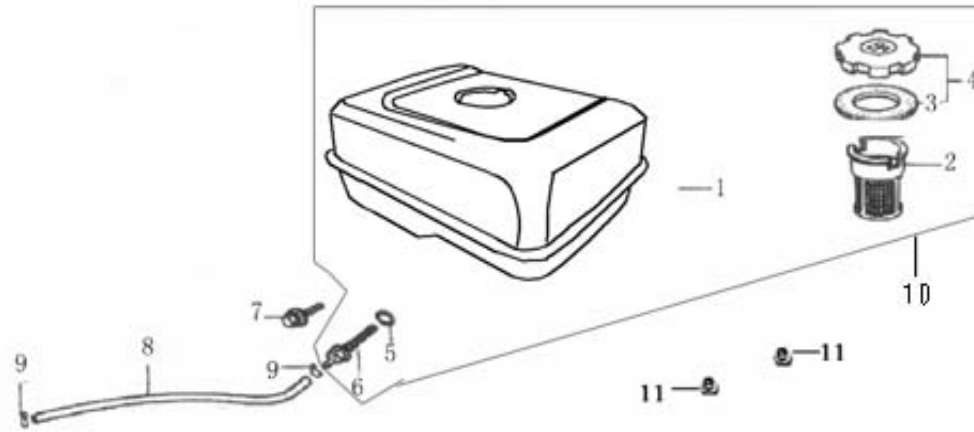
No.	Part No.	English	ZS168FA	ZS168FB
1	18000-KB01-0000	MUFFLER COMP.	1	1
2	18040-KB01-0100	PROTECTOR, MUFFLER	1	1
2, 1	18040-KB01-0200	PROTECTOR, MUFFLER	1	1
3	18013-KB01-0000	ARRESTER, SPARK	1	1
4	B057890005000870B	SCREW, TAPPING, 5×8	4	4
5	B008470004000670B	SCREW, TAPPING, 4×6	1	1
6	B061700008000000B	NUT, HEX, 8MM	2	2
7	18004-KB01-0000	MUFFLER	1	1

Fuel Tank



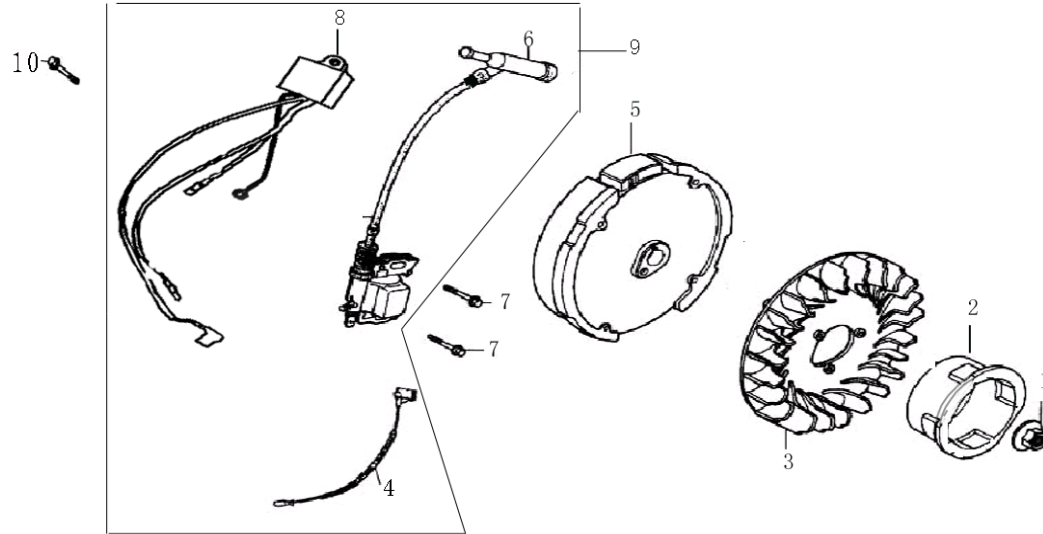
No.	Part No.	English	ZS168FA	ZS168FB
1	61110-KB01-0000	TANK COMP, FUEL	1	1
2	61130-KB01-0000	FILTER, FUEL	1	1
3	61122-KB01-0000	PACKING, FUEL FILLER	1	1
4	61120-KB01-0000	CAP COMP., FUEL FILLER	1	1
5	17007-KB01-0000	PACKING	2	2
6	17006-KB01-0000	JOINT, FUEL TANK	1	1
7	B057890006002870B	BOLT, FLANGE, M6×28	1	1
8	T2999904000800165	TUBE, FUEL, $\phi 4 \times \phi 8$	1	1
9	17020-KB01-0000	CLIP, TUBE	2	2
10	61100-KB01-0000	TANK FUEL	1	1
11	B061700008000000B	NUT, FLANGE, M8	2	2

Fuel Tank



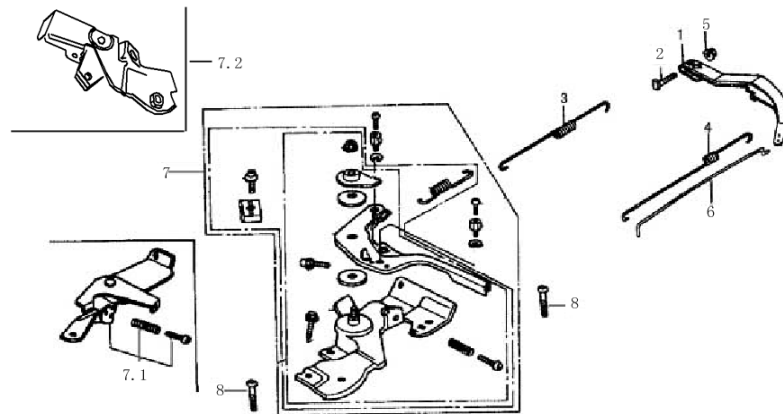
No.	Part No.	English	ZS168FA	ZS168FB
1	61110-KB01-0500	TANK COMP, FUEL	1	1
2	61130-KB01-0000	FILTER, FUEL	1	1
3	61122-KB01-0000	PACKING, FUEL FILLER	1	1
4	61120-KB01-0000	CAP COMP., FUEL FIL	1	1
5	17007-KB01-0000	PACKING	2	2
6	17006-KB01-0000	JOINT, FUEL TANK	1	1
7	B057890006002870B	BOLT, FLANGE, M6×28	1	1
8	T2999904000800165	TUBE, FUEL, φ4×φ8	1	1
9	17020-KB01-0000	CLIP, TUBE (B8)	2	2
10	61100-KB01-0500	TANK FUEL	1	1
11	B061700008000000B	NUT, FLANGE, M8	2	2

Flywheel



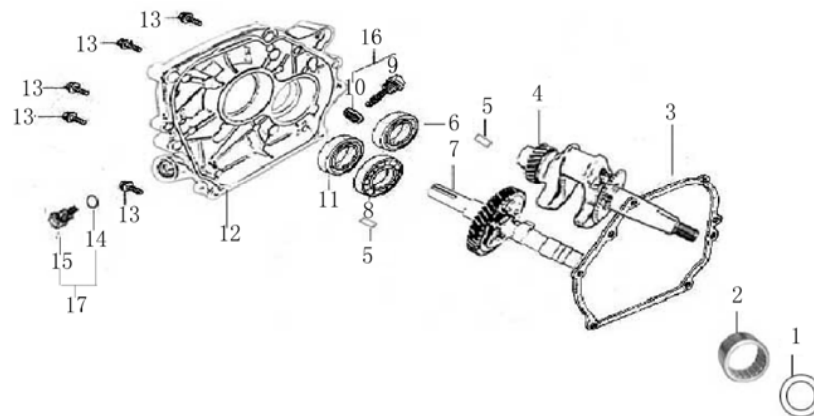
No.	Part No.	English	ZS168FA	ZS168FB
1	B061770004000070B	NUT, SPECIAL, M14	1	1
2	21520-KB01-0000	PULLEY, STARTER	1	1
3	19102-KB01-0000	FAN, COOLING	1	1
4	52605-KB01-0000	SWITCH LINE, ENGINE	1	1
5	82150-KB01-0000	FLYWHEEL COMP.	1	1
6	81200-KB01-0000	COIL ASSY., IGNITION	1	1
7	B057890006002570B	BOLT, FLANGE, M6×25	2	2
8	09003-KB01-0000	COIL ASSY., IGNITION	1	1
9	81200-KB01-0000	COIL ASSY., IGNITION	1	1
10	B057890006002570B	BOLT, FLANGE, M6×25	1	1

Control



No.	Part No.	English	ZS168FA	ZS168FB
1	24607-KB01-0000	ARM, GOVERNOR	1	-
	24607-LB16-0000	ARM, GOVERNOR	-	1
2	91121-1060-02120B	BOLT, GOVERNOR ARM	2	2
3	24602-KB01-0000	SPRING, GOVERNOR	1	-
	24602-KB03-0000	SPRING, GOVERNOR	1	-
	24602-LB16-0000	SPRING, GOVERNOR	-	1
	24602-LB18-0000	SPRING, GOVERNOR	-	1
4	24603-KB01-0000	THROTTLE RETURN SPRING	1	1
5	B061770106000060B-1	NUT, FLANGE, 6MM	1	1
6	24604-KB01-0000	ROD, GOVERNOR	1	1
7	24610-KB01-0000	CONTROL ASSY.	1	1
7, 1	24610-KB03-0000	CONTROL ASSY.	1	1
7, 2	24610-KB01-0100	CONTROL ASSY.	1	1
8	B057890006001270B	BOLT, FLANGE, 6×12	2	2

ZS168FA/B-5 Camshaft 1/2 Decelaration



No.	Part No.	English	ZS168FA	ZS168FB	No.	Part No.	English	ZS168FA	ZS168FB
1	91306-92051030X0E	WASHER, $\phi 20.5 \times \phi 30 \times 1$	1	1	16	14301-KB01-0000	OIL DIPSTICK COMP	1	1
2	92102-00009400-10	BALL BEARING, $\phi 26 \times \phi 20 \times 10$	1	1	17	14311-KB01-0000	CAP COMP, OILFILLER	1	1
3	90208-KB01-0000	GASKET, CASE COVER	1	1					
4	13230-KB01-7100	CRANKSHAFT	1	1					
5	91521-08001400000	PIN, DOWEL, 8×14	2	2					
6	92102-00000006205	BEARING 6205	1	1					
7	15100-KB06-0000	CAMSHAFT	1	1					
8	92102-00000006205	BEARING 6205	1	1					
9	14312-KB01-0000	OIL DIPSTICK	1	1					
10	14303-KB01-0000	O-RING	1	1					
11	T1105025004125600	OIL SEAL	1	1					
12	12301-KB06-0000	LEFT COVER	1	1					
13	B057890008003270B	BOLT, FLANGE, $M8 \times 32$	6	6					
14	14303-KB01-0000	O-RING	1	1					
15	14315-KB01-0000	OIL FILLER CAP	1	1					

Flywheel

