

**HECHT® 9551**  
made for garden

ZLST551Q 2010			
no.	code		unit
1	SJ-042	SJ Handrail kit	1set
2	SB-001	Lock nut	2
3	SJ-110	SJ Handle	2
4	SJ-047	SJ Rubber Cap	2
5	SB-002	Hexagonal Screw	2
7	SB-118	Plain cushion	1
8	SJ-032B	SJ Iron Stick	2
9	SB-004	Nut	2
10	SJ-032	Adjusting Stick 1	1set
11	SB-123	Snap Spring	1
12	SB-165	Oil Seal	2
13	SB-006	Lock nut	1
14	SJ-033	SJ Iron Stick 2	1set
15	SB-007	Hexagonal nut	1
16	SJ-044B	SJ Crank	1
17	SJ-044C	SJ Rubber Circle	1
18	SJ-068A	SJ control arm	1
19	SB-008	M6 flangle screw	2
20	SB-009	Hexagonal Screw	2
21	SB-010	flangle screw	1
22	SB-011	Hexagonal Screw	1
23	SJ-068B	SJ joystick plate	1
24	SB-012	Hexagonal Screw	1
25	SB-013	Lock nut	4
26	SB-014	Hexagonal Screw	4
27	SJ-109	SJ Limit Frame	1
28	SB-015	Hexagonal Screw	2
29	SJ-028	SJ Handle Washer	2
30	SB-016	Plain cushion	2
31	SB-017	Hexagonal Screw	2
32	SJ-026	SJ head shaft sleeve	2
33	SJ-003	SJ Gear	1

ZLST551Q 2010			
no.	code		unit
34	SB-018	Semicircular key	2
35	SB-019	Pin	1
36	SJ-017	SJ Drive Bearing	1
37	SJ-066	SJ Spring Pin	2
38	SB-020	Plain cushion	2
39	SB-021	Tyre	2
40	SJ-134	Gasoline Engine	1
41	SB-022	Hexagonal Screw	2
42	SB-023	Plain cushion	2
43	SJ-031	SJ Pulley Cover	1
44	SB-024	Lock nut	4
45	SB-025	Plain cushion	4
46	SJ-052	Hexagonal Screw	2
47	SJ-016B	SJ wire pulley	1
48	SJ-016A	SJ pulley sub panel 1	1
49	SB-026	Plain cushion	2
50	SB-027	Hexagonal Screw	2
51	SB-028	Lock nut	2
52	SJ-014	SJ pulley sub panel 3	1
53	SJ-016B	SJ wire pulley	1
54	SB-029	Hexagonal Screw	2
55	SB-030	Plain cushion	2
56	SB-031	Lock nut	6
57	SB-032	Plain cushion	7
58	SJ-103	SJ Gearbox Cover	1
59	SB-010	flangle screw	5
60	SB-034	hexagonal screw	2
61	SB-035	hexagonal screw	1
62	SB-036	washer	11
63	SB-037	Cross recessed round head screw	1
64	SB-038	Plain cushion	1
65	SJ-018	SJ Handle Sleeve	1

ZLST551Q 2010			
no.	code		unit
66	SB-039	Hexagonal Screw	2
67	SB-040	Plain cushion	1
68	SJ-102	SJ Gearbox Cover	1
69	SB-041	Plain cushion	4
70	SB-042	Hexagonal Screw	4
71	SB-043	Lock nut	1
72	SJ-045	SJ Tension Plate	1
73	SJ-046-1	Tension convex washer	1
74	SB-044	Hexagonal Screw	1
75	SJ-035-1	SJ Spring 3	1
76	SX-11-170B	SJ Washer 2	1
77	SB-045	Hexagonal Screw	1
78	SB-046	Plain cushion	2
79	SX-11-170	Small tension pulley (+ Bearing)	1set
80	SJ-008C	SJ Pallet	1
81	SB-047	Hexagonal Screw	1
82	SJ-049	Man Synchronization Wheel	1
83	SB-048	Plain cushion	1
84	SB-049	Hexagonal Screw	1
85	SJ-049B	SJ Main pulley	1
86	SB-51	V-belt	1
87	SB-52	Synchronization Belt	1
88	SB-052	Hexagonal Screw	1
89	SB-053	Plain cushion	3
90	SB-054	Deep groove bearing with snap ring	1
92	SJ-005	SJ Hexagon Gear-shaft	1
93	SJ-013C	SJ Change pulley	1
94	SB-055	Hexagonal Screw	3

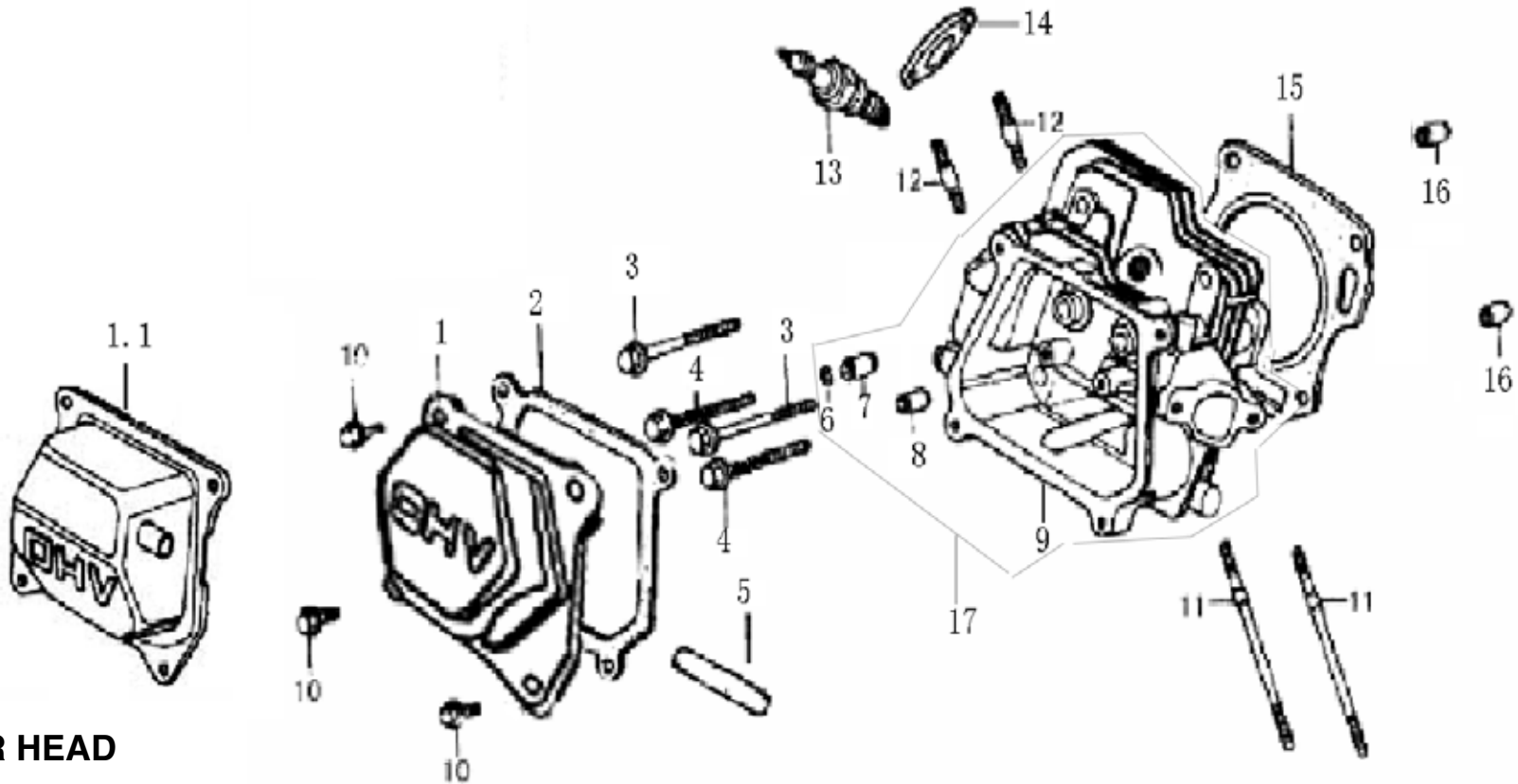
ZLST551Q 2010			
no.	code		unit
95	SJ-013D	SJ Change pulley Circle	1
96	SJ-013A	SJ Change pulley washer	2
97	SB-056	Hexagonal Screw	3
98	SJ-013B	SJ Change pulley cover	2
99	SB-057	Snap Spring	1
100	SB-058	Deep slot bearing	1
101	SB-059	Plain cushion	1
102	SB-060	nut	1
103	SJ-002	SJ Orthogonal Iron	1
104	SB-061	Hexagonal Screw	2
105	SJ-040	SJ Gearlever	1set
106	SJ-010A	Drive Synchronization Wheel	1
107	SJ-010B	SJ Driving bearing	1
108	SB-062	Deep slot bearing	2
109	SJ-007	SJ Pulley bracket	1set
110	SB-063	Pin	1
111	SB-064	Lock nut	1
112	SJ-069	Spring 6	1
113	SJ-107	SJ Separate Sleeve	1
114	SB-065	Plain cushion	2
115	SB-066	Flange screw	1
116	SJ-015	SJ Pulley sub panel 2	1
117	SB-067	Plain cushion	2
118	SB-068	Hexagonal Screw	2
119	SJ-016B	SJ wire pulley	1
120	SJ-052	Hexagonal Screw	1
121	SJ-008	SJ Tension pulley 2(+Bearing)	1set
122	SJ-008B	SJ Washer	1
123	SB-069	Hexagonal Screw	1

ZLST551Q 2010			
no.	code		unit
124	SJ-008C	SJ Pallet	1
125	SB-070	Lock nut	1
126	SB-071	Lock nut	1
127	SB-072	Plain cushion	2
128	SJ-023	SJ Dead plate	1
129	SJ-032A	Spring 1	1
130	SJ-050	SJ Hexangular Screw 1	1
131	SJ-037	Spring 5	1
132	SB-073	Plain cushion	2
133	SB-074	Lock nut	2
134	SB-075	Hexagonal Screw	1
135	SB-076	Plain cushion	1
136	SJ-039	SJ Pulley	1
137	SB-077	Lock nut	3
138	SJ-004	SJ Rockered Cover	1
139	SB-078	Square Key	1
140	SB-079	Bearing	1
141	SJ-044A	SJ Handle	1
142	SJ-011A	SJ sub panel plastic circle	1
143	SB-080	Pin	1
144	SB-081	Step bolt	2
145	SJ-011	SJ Sub panel	1
146	SB-082	Lock nut	2
147	SB-083	Plain cushion	1
148	SB-084	Lock nut	2
149	SB-085	Step bolt	2
150	SB-086	Lock nut	4
151	SJ-006	SJ Shave Plate	1
152	SB-087	Step bolt	2
153	SB-088	Plain cushion	4
154	SB-089	Lock nut	2

ZLST551Q 2010			
no.	code		unit
155	SB-090	Plain cushion	2
156	SJ-111	SJ Sliding Stick	2
157	SJ-104	SJ Steel Cover	1set
158	22-SX-11-134	SJ Output Shaft	1
159	SB-091	Semicircular key	1
160	NJ-02	trigger pin	4
161	NJ-01	output shaft pin	4
162	30-SX-11-135	SJ Left Auger	2
163	SJ-019	SJ Drive Shaft Sheath	1
164	SB-093	Plain cushion	2
165	SJ-020	SJ Shaft Sheath	2
166	SJ-024	SJ Bearing Cover	2
167	SB-094	Plain cushion	6
168	SB-095	Hexagonal Screw	6
169	30-SX-11-125	SJ Right Auger	2
170	SB-096	Hexangular Screw	6
171	SB-097	Spring Washer	7
172	SB-098	Plain cushion	7
173	SJ-038	SJ Worm Wheel	1
174	SJ-101	SJ Upper Pedestal	1
175	SJ-108	SJ Shaft Sheath	1
176	SJ-019	SJ Drive Shaft Sheath	3
177	SJ-101A	SJ Pedestal	1
178	SB-099	Deep slot bearing	1
179	SJ-030	SJ Drive Worm shaft	1
180	SB-100	Deep slot bearing	1
181	SB-101	One direction thrust bearing	1
182	SB-102	Oil Seal	1

ZLST551Q 2010			
no.	code		unit
183	SB-106	Pin	2
184	SJ-057	Washer	1
185	SJ-001	SJ Fan	1set
186	SB-104	Step bolt	4
187	SB-105	Plain cushion	2
188	SB-106	Lock nut	2
189	SB-107	Lock nut	2
190	SB-108	Hexagonal Screw	2
191	SB-109	Lock nut	6
192	SJ-021	Chute Bead	3
193	SJ-021C	Chute Gasket	3
194	SB-120	Hexagonal Screw	6
195	SB-111	Lock nut	2
196	SJ-138	Locking Handle	2
197	SB-112	Step bolt	2
198	SJ-140	Chute	1set
199	SB-113	Hexagonal Screw	1
200	SJ-036	Spring 4	1
201	SB-114	Flange screw	1
202	SJ-012	SJ Discharge Chute Accessories	1set
203	SB-124	Plastic Shavel	1
204	SB-110	Step bolt	2
205	SJ-151	Shavel base	1
207	SB-115	Hexagonal Screw	1
206	SJ-300	belt orifice plate	1
208	SB-121	Flange screw	2
209	SJ-130	Thermally insulated shroud	1
211	SB-117	Corrugated gasket	1
212	SB-116	Oil nipple	1
213	SB-119	bolt	1

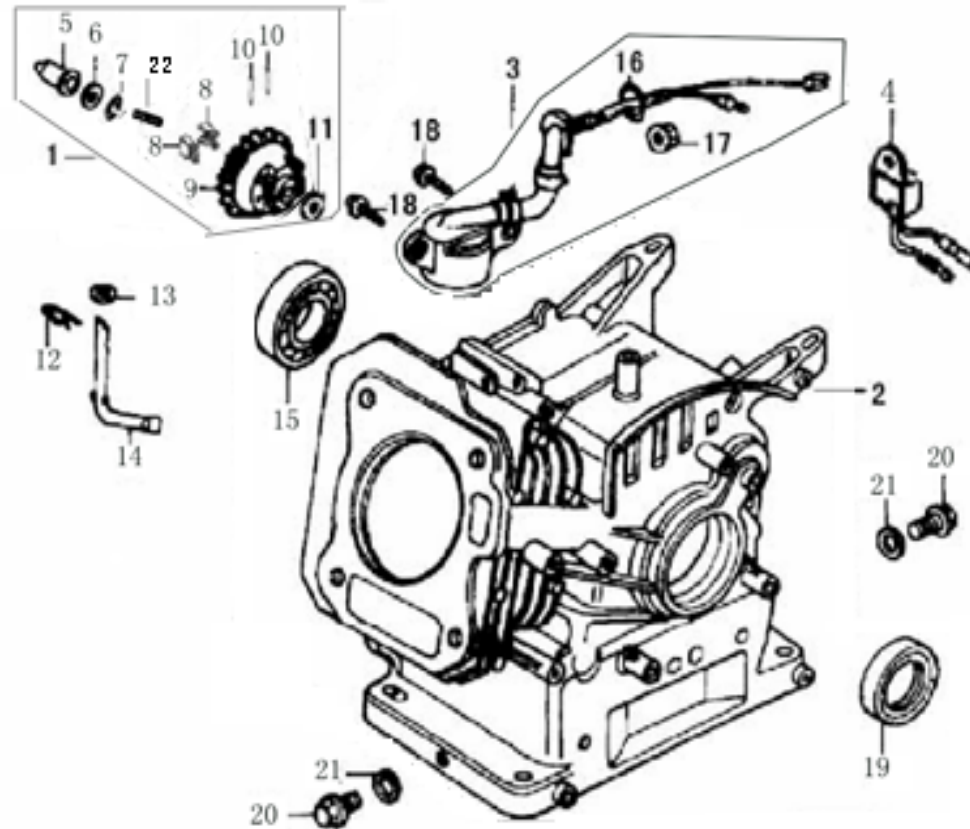
ZLST551Q 2010			
no.	code		unit
214	22-SX-11-300	output shaft cover22-1	2
215	22-SX-11-301	output shaft cover22-2	2



## CYLINDER HEAD

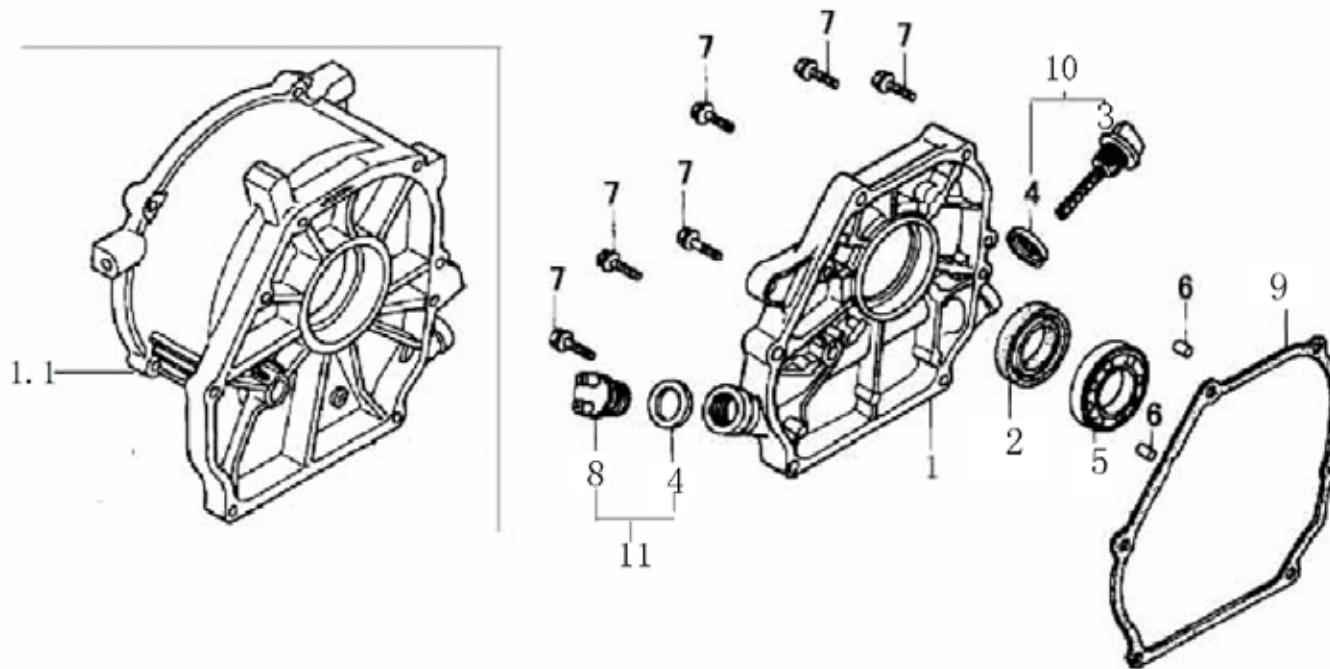
No.	Part No.	English	ZS168FA	ZS168FB
1	24620-KB01-0000	GOVERNOR KIT	1	1
2	12007-KB01-0000	CRANKCASE COMP.	1	-
	12007-LB16-0000	CRANKCASE COMP.	-	1
3	87400-KB01-0000	OIL SENSOR	1	1
4	87420-KB01-0000	AMPLIFIER	1	1
5	24622-KB01-0000	SLIDER GOVERNOR	1	1
6	24628-KB01-0000	WASHER	1	1
7	24623-KB01-0000	CLIP GOVERNOR HOLDER	1	1
8	24624-KB01-0000	WEIGHT GOVERNOR	2	2
9	24626-KB01-0000	SLAVE GEAR GOVERNOR	1	1
10	24625-KB01-0000	PIN GOVERNOR WEIGHT	2	2
11	24628-KB01-0000	WASHER	1	1

No.	Part No.	English	ZS168FA	ZS168FB
12	24606-KB01-0000	PIN LOCK	1	1
13	101001-129	SPARK PLUG	1	1
14	24605-KB01-0000	GOVERNOR ARM	1	1
15	92102-00000006205	RADIAL BALL BEARING(6205)	1	1
16	90101-10090000180	O-RING,9MM	1	1
17	B061770110000060B	NUT FLANGE 10MM	1	1
18	B057890006001670B	BOLT FLANGE 6x16	2	2
19	T1105025004125600	OIL EAL 25x41.25x6	1	1
20	91103-KB01-0000	BOLT DRAIN PLUG	2	2
21	91302-91001516000	WASHER.10x16x1.5	2	2
22	24621-KB01-0000	SHAFT	1	1



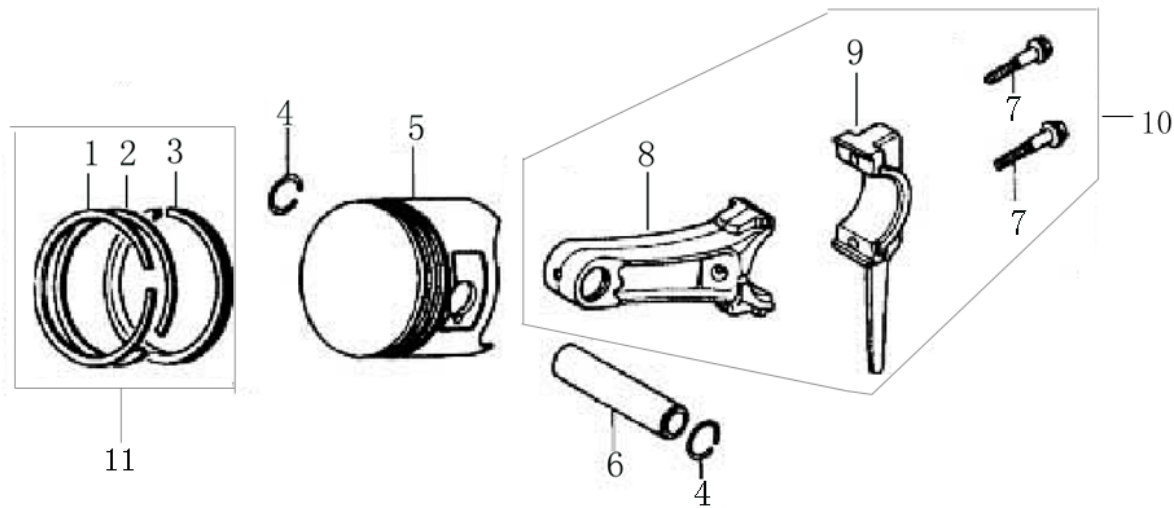
## CRANKCASE COMP.

No.	Part No.	English	ZS168FA	ZS168FB	No.	Part No.	English	ZS168FA	ZS168FB
1	24620-KB01-0000	GOVERNOR KIT	1	1	12	24606-KB01-0000	PIN LOCK	1	1
2	12007-KB01-0000	CRANKCASE COMP.	1	-	13	90101-10052000190	O-RING	1	1
	12007-LB16-0000	CRANKCASE COMP.	-	1	14	24605-KB01-0000	GOVERNOR ARM	1	1
3	87400-KB01-0000	OIL SENSOR	1	1	15	92102-00000006205	RADIAL BALL BEARING(6205)	1	1
4	87420-KB01-0000	AMPLIFIER	1	1	16	90101-10090000180	O-RING,9MM	1	1
5	24622-KB01-0000	SLIDER GOVERNOR	1	1	17	B061770110000060B	NUT FLANGE 10MM	1	1
6	24628-KB01-0000	WASHER	1	1	18	B057890006001670B	BOLT FLANGE 6x16	2	2
7	24623-KB01-0000	CLIP GOVERNOR HOLDER	1	1	19	T1105025004125600	OIL SEAL 25x41.25x6	1	1
8	24624-KB01-0000	WEIGHT GOVERNOR	2	2	20	91103-KB01-0000	BOLT DRAIN PLUG	2	2
9	24626-KB01-0000	SLAVE GEAR GOVERNOR	1	1	21	91302-91001516000	WASHER.10x16x1.5	2	2
10	24625-KB01-0000	PIN GOVERNOR WEIGHT	2	2	22	24621-KB01-0000	SHAFT	1	1
11	24628-KB01-0000	WASHER	1	1					



## LEFT CRANKSHAFT COVER

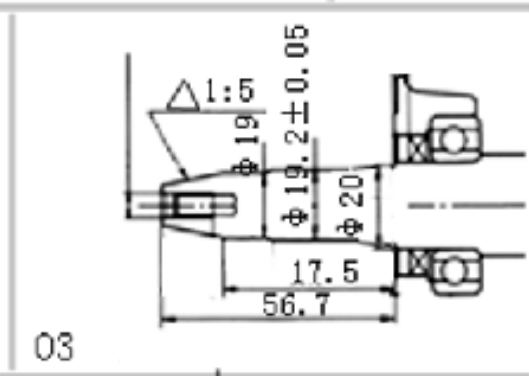
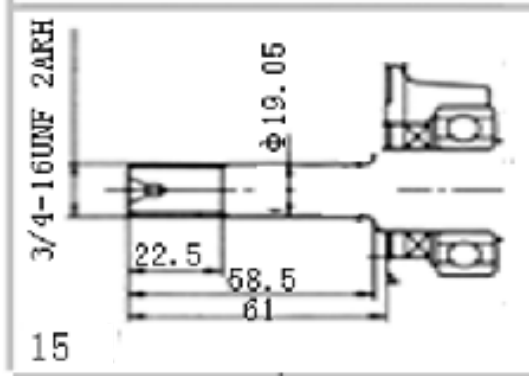
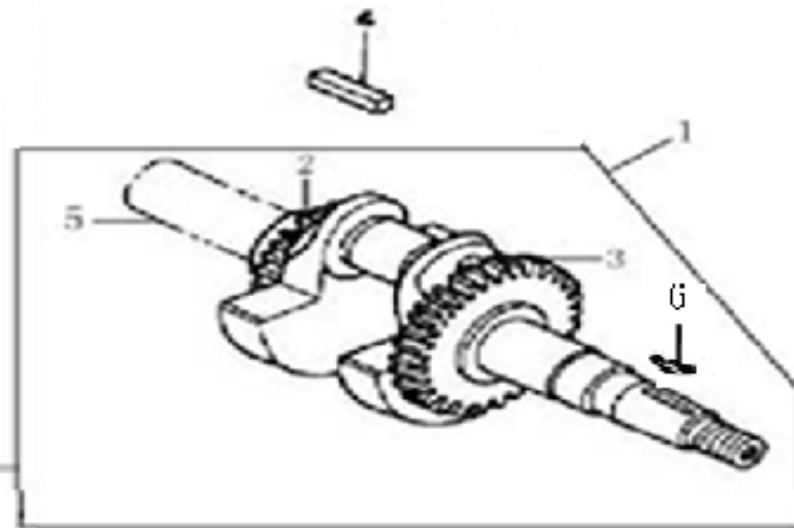
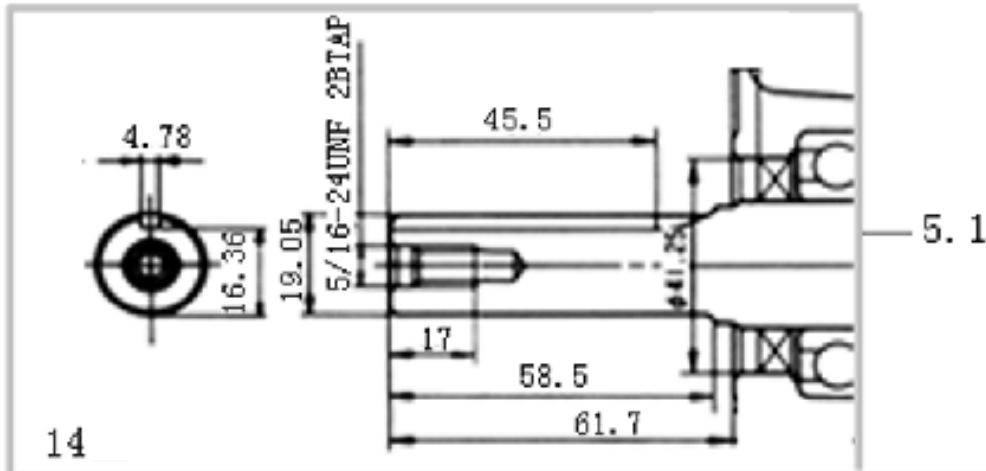
No.	Part No.	English	ZS168FA	ZS168FB
1	12301-KB01-0000	COVER COMP LEFT CRANKCASE	1	1
1,1	12301-KB03-0000	COVER COMP LEFT CRANKCASE	1	1
2	T1105025004125600	OIL SEAL 25x41.25x6	1	1
3	14312-KB01-0000	DIPSTICK	1	1
4	14303-KB01-0000	O-RING	2	2
5	92102-00000006205	BEARING 6205	1	1
6	91521-08001400000	PIN DOWEL 8x14	2	2
7	B057890008003270B	BOLT FLANGE 8x32	6	6
8	14315-KB01-0000	OIL FILLER PLUG	1	1
9	90208-KB01-0000	GASKET CASE COVER	1	1
10	14301-KB01-0000	DIPSTICK COMP	1	1
11	14311-KB01-0000	OIL FILLER PLUG COMP	1	1



## PISTON CONNECTING ROD ASSY

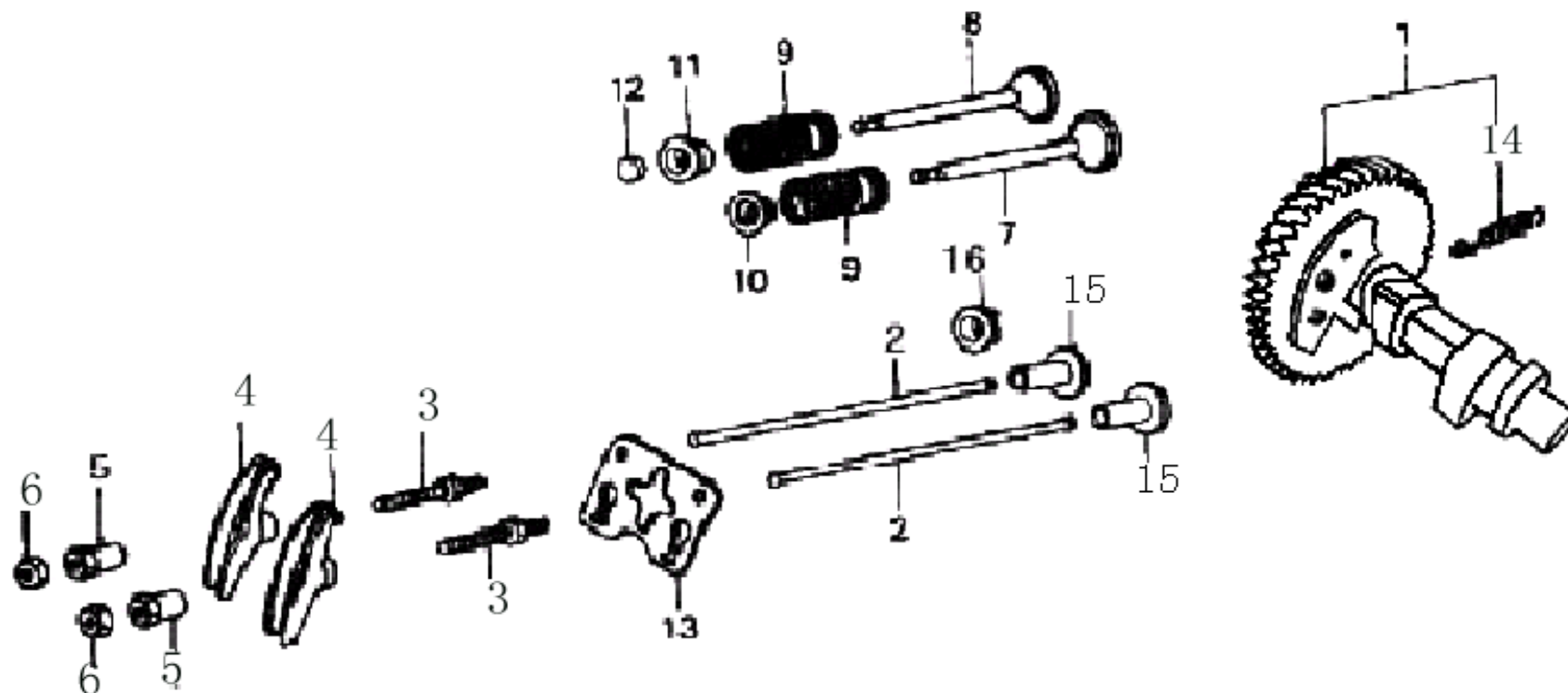
No.	Part No.	English	ZS168FA	ZS168FB
1	13103-KB01-0000	FIRST RING SET PISTON	1	1
2	13104-KB01-0000	SECOND RING SET PISTON	1	1
3	13120-KB01-0000	OIL RING SET PISTON	1	1
4	13105-KB01-0000	CLIP PISTON PIN 18MM	2	2
5	13101-KB01-0000	PISTON	1	-
	13101-LB16-0000	PISTON	-	1
6	13102-KB01-0000	PIN PISTON	1	1
7	13215-KB01-0000	BOLT,CONNECTING ROD	2	2
8	13204-KB01-0000	CONNECTING ROD	1	1
9	13214-KB01-0000	CONNECTING ROD COVER	1	1
10	13220-KB01-0000	CONNECTING ROD COMP	1	1
11	1310A-KB01-0000	RING SET COMP PISTON	1	1





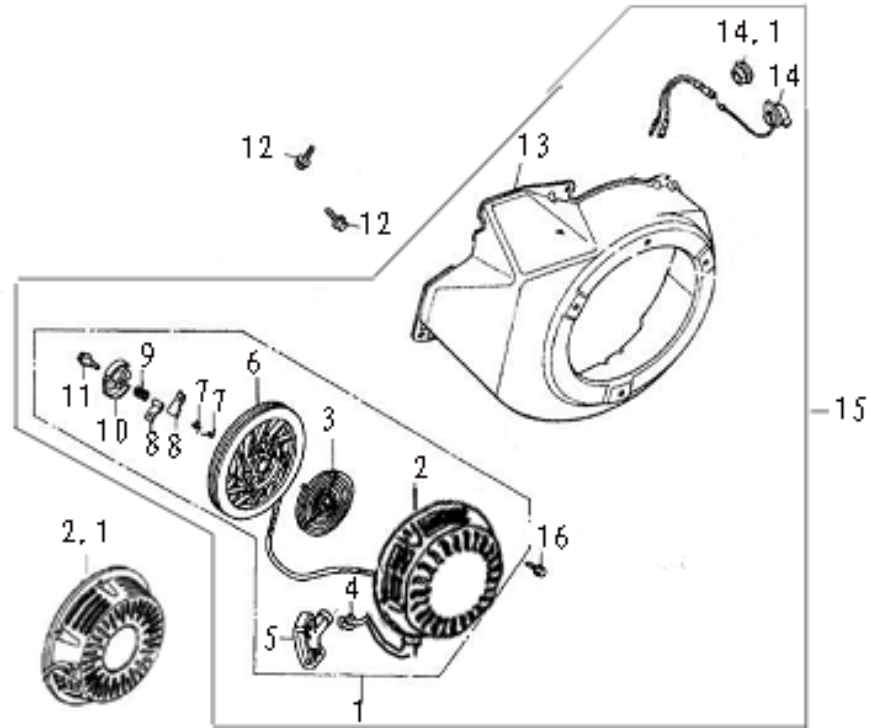
### CRANK SHAFT ASSY

No.	Part No.	English	ZS168FA	ZS168FB
1	13230-KB01-xxxx	CRANKSHAFT COMP	1	-
	13230-LB16-xxxx	CRANKSHAFT COMP	-	1
2	13222-KB01-0000	TIME DRIVE GEAR	1	1
3	13223-KB01-0000	SPEED-REGULATING DRIVE GEAR	1	1
4		KEY	1	1
5		CRANKSHAFT COMP	1	1
5,1	13230-KB01-1400	CRANKSHAFT	1	1
5,2	13230-KB01-1500	CRANKSHAFT	1	1
5,3	13230-KB01-0300	CRANKSHAFT	1	1
6	91601-KB01-0000	SPECIAL WOODRUFF KEY	1	1



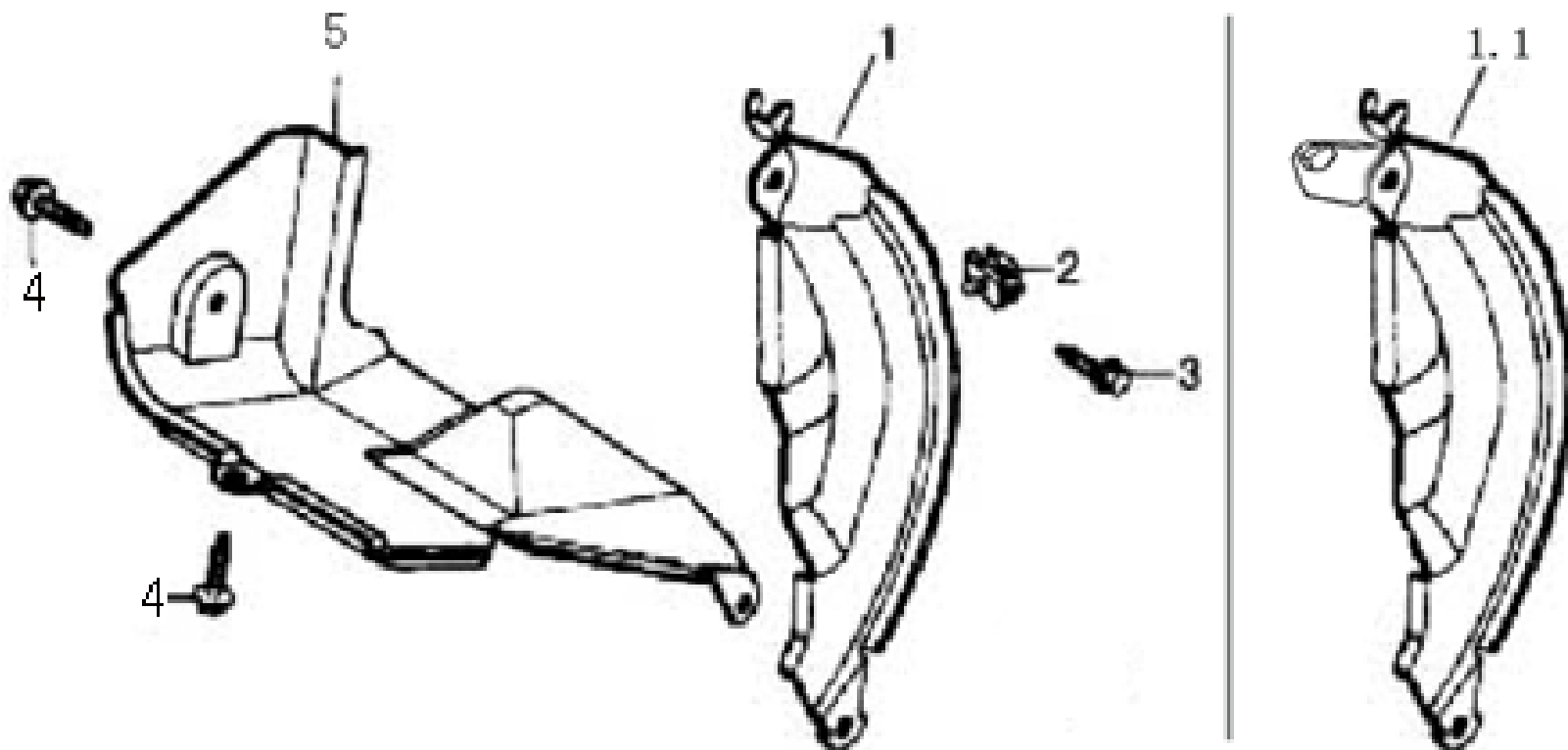
## CAMSHAFT

No.	Part No.	English	ZS168FA	ZS168FB	No.	Part No.	English	ZS168FA	ZS168FB
1	15100-KB01-0000	CAMSHAFT ASSY.	1	-	13	15406-KB01-0000	PLATE PUSH ROD GUIDE	1	1
	15100-LB16-0000	CAMSHAFT ASSY.	-	1	14	15162-KB01-0000	SPRING WEIGHT RETURN	1	1
2	15321-KB01-0000	ROD PUSH	2	2	15	15002-KB01-0000	LIFTER VALVE	2	-
3	15415-KB01-0000	BOLT PIVOT	2	2		15002-LB16-0000	LIFTER VALVE	-	2
4	15401-KB01-0000	ARM VALVE ROCKER	2	2	16	1572B-KB03-0000	COVER OF BLOCK OIL	1	1
5	15403-KB01-0000	ADJUSTING NUT VALVE	2	2					
6	15414-KB01-0000	NUTT PIVOT LOCKING	2	2					
7	15701-KB01-0000	VALVE INLET	1	1					
8	15702-KB01-0000	VALVE EXHAUST	1	1					
9	15703-KB01-0000	SPRING VALVE	2	2					
10	15711-KB01-0000	INTAKE VALVE SPRING SEAT	1	1					
11	15712-KB01-0000	EXHAUST VALVE SPRING SEAT	1	1					
12	15713-KB01-0000	ADJUSTER EX. VALVE	1	1					



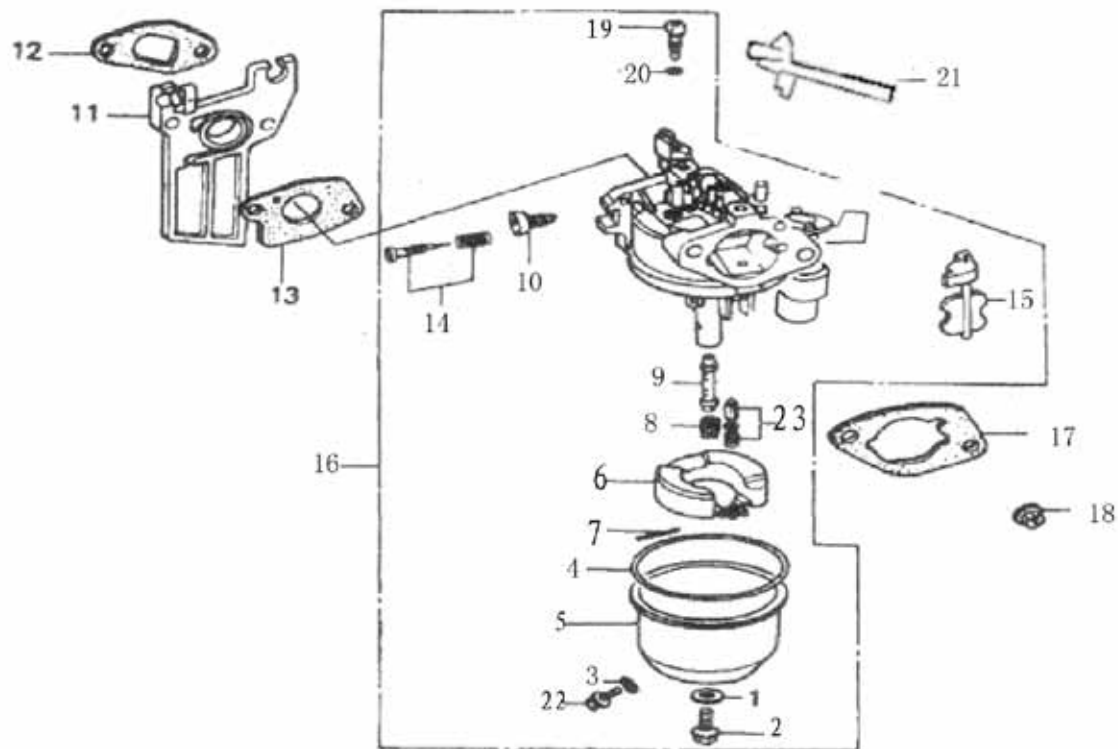
## RECOIL STARTER

No.	Part No.	English	ZS168FA	ZS168FB	No.	Part No.	English	ZS168FA	ZS168FB
1	21510-KB01-0600	STARTER COMP RECOIL	1	1	14	72380-KB01-0000	SWITCH ASSY ENGINE STOP	1	1
2	21519-KB01-0000	STARTER CZSE COMP RECOIL	1	1	14,1	21531-KB01-0000	GROMMET, DRAIN HOLE	1	1
2,1	21519-KB01-0001	STARTER CZSE COMP RECOIL	1	1	15	21500-KB01-5100	RECOIL STARTER ASSY	1	1
3	21514-KB01-0000	SPRING STARTER RETURN	1	1	16	B057890006001070B	BOLT FLANGE 6x10	3	3
4	21517-KB01-0000	ROPE RECOIL STARTER	1	1					
5	21516-KB01-0000	HANDLE STARTER	1	1					
6	21511-KB01-0000	REEL RECOIL STARTER	1	1					
7	21515-KB01-0000	SPRING RETURN	1	1					
8	21512-KB01-0000	RATCHET STARTER	2	2					
9	21518-KB01-0000	SPRING	1	1					
10	21513-KB01-0000	RATCHET GUIDE	1	1					
11	21521-KB01-0000	SCREW SETTING	1	1					
12	B057890006001470B	BOLT FLANGE 6x14	4	4					
13	21530-KB01-0400	FAN COVER COMP.	1	1					



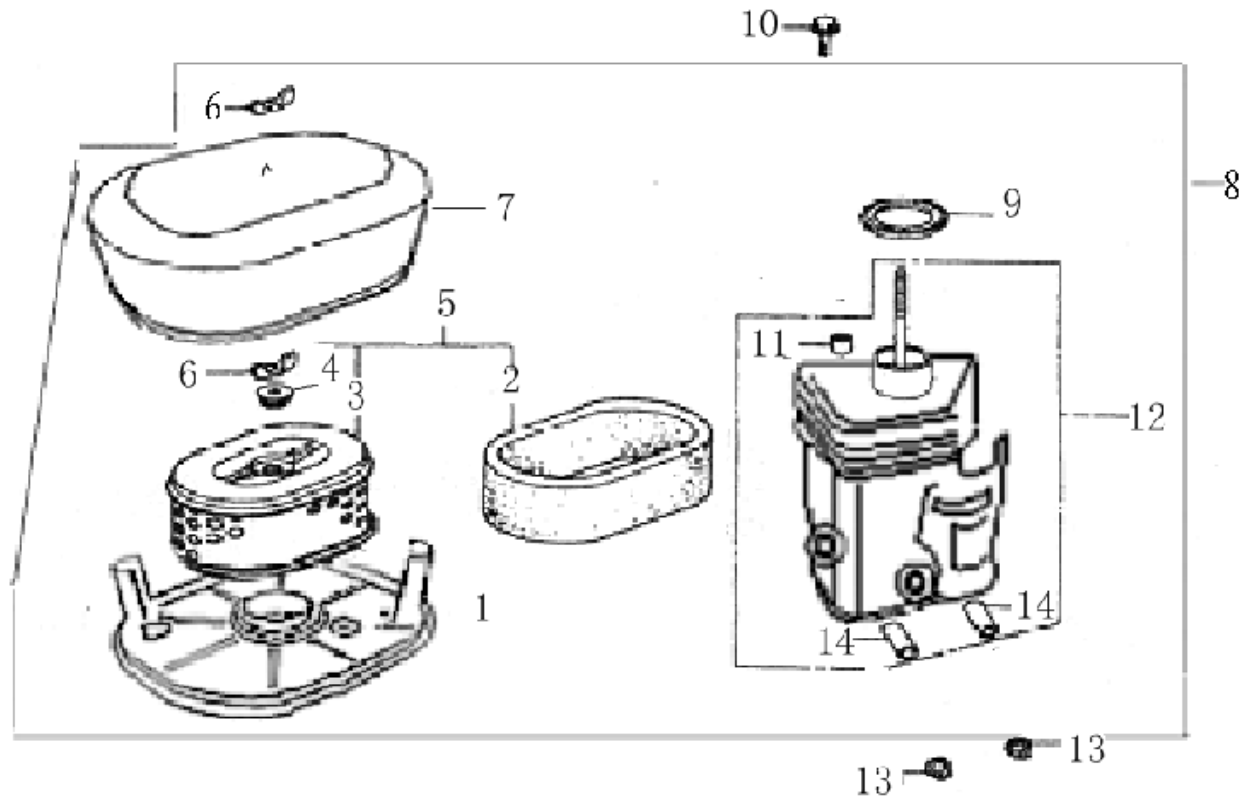
## SIDE PLATE

No.	Part No.	English	ZS168FA	ZS168FB
1	19112-KB01-0000	SHROUD COMP.	1	1
1,1	19112-KB01-0100	SHROUD COMP.	1	1
2	10061-KB01-0000	CLIP WIRE	1	1
3	B057890006002070B	BOLT FLANGE 6x20	1	1
4	B057890006001070B	BOLT FLANGE 6x14	2	2
5	19113-KB01-0000	PLATE SIDE OIL ALERT	1	1



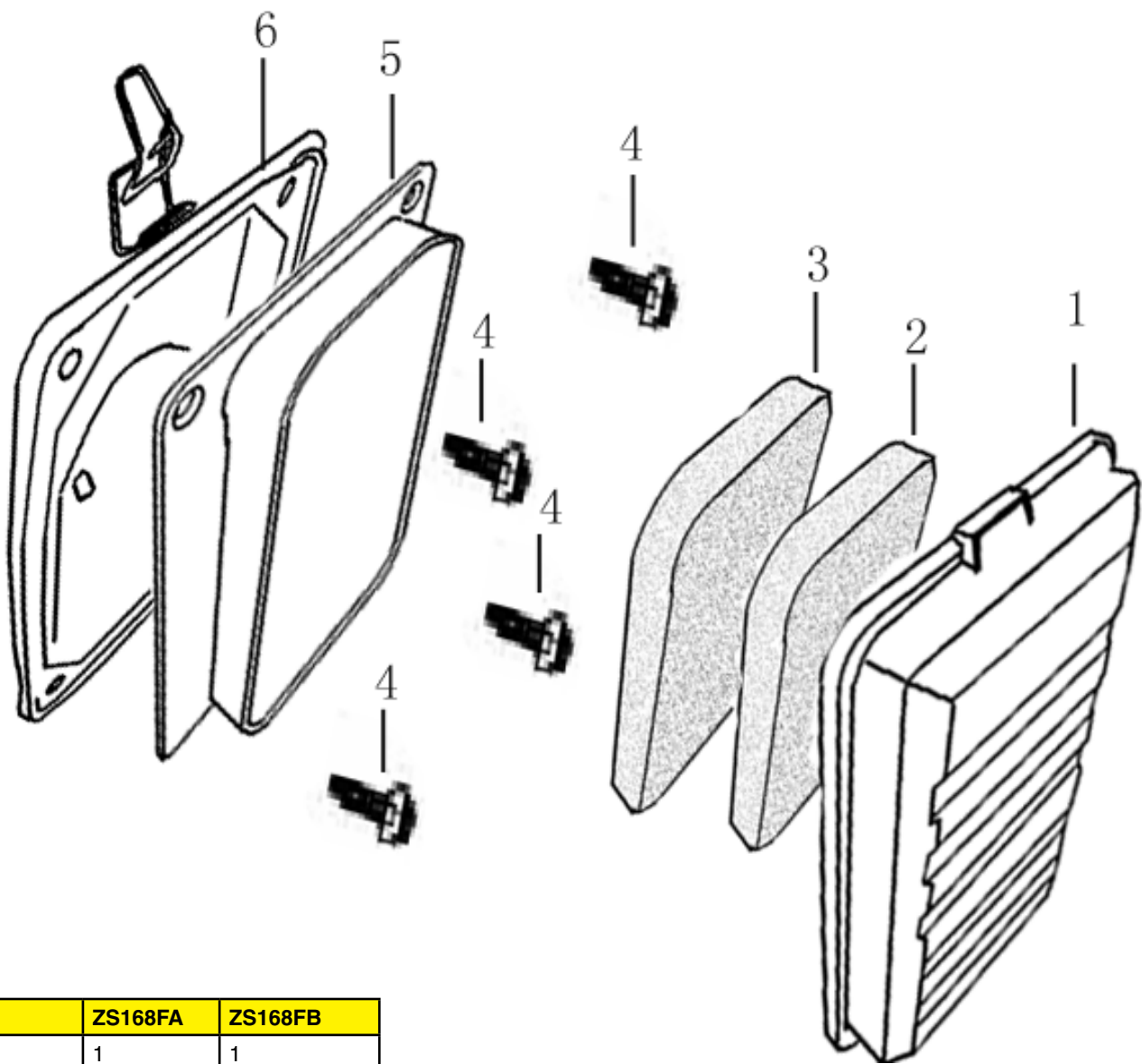
## CARBURETOR

No.	Part No.	English	ZS168FA	ZS168FB	No.	Part No.	English	ZS168FA	ZS168FB
1	17189-KB01-0000	GASKET SET	1	1	15	17154-KB01-0000	CHOKE SET	1	1
2	17159-KB01-0000	SCREW SET	1	1	16	17100-KB01-0000	CARBURETOR Assy.	1	-
3	17188-KB01-0000	GASKET SET	1	1		17100-LB16-0000	CARBURETOR Assy.	-	1
4	17157-KB01-0000	GASKET SET	1	1	17	17113-KB01-0000	PACKING AIR CLEANER	1	1
5	17153-KB01-0000	CHAMBER SET FLOAT	1	1	18	B061770106000060B	NUT FLANGE 6MM	2	2
6	17152-KB01-0000	FLOAT SET	1	1	19	17161-KB01-0000	JET SET PILOT.	1	1
7	17171-KB01-0000	VALVE SET FLOAT	1	1	20	17194-KB01-0000	CARBURETOR PACKING	1	1
8	17162-KB01-0000	JET MAIN	1	1	21	17163-KB01-0000	LEVER COMP. CHOKE	1	1
9	17168-KB01-0000	NOZZLE MAIN	1	1	22	17186-KB01-0000	DRAIN SCREW SET	1	1
10	17158-KB01-0000	SCREW THROTTLE ADJUSTING	1	1	23	17170-KB01-0000	VALVE SET FLOAT	1	1
11	17112-KB01-0000	INSULATOR CARBURETOR	1	1					
12	17107-KB01-0000	PACKING INSULATOR	1	1					
13	17182-KB01-0000	PACKING CARBURETOR	1	1					
14	17130-KB01-0000	SCREW SET PILOT	1	1					



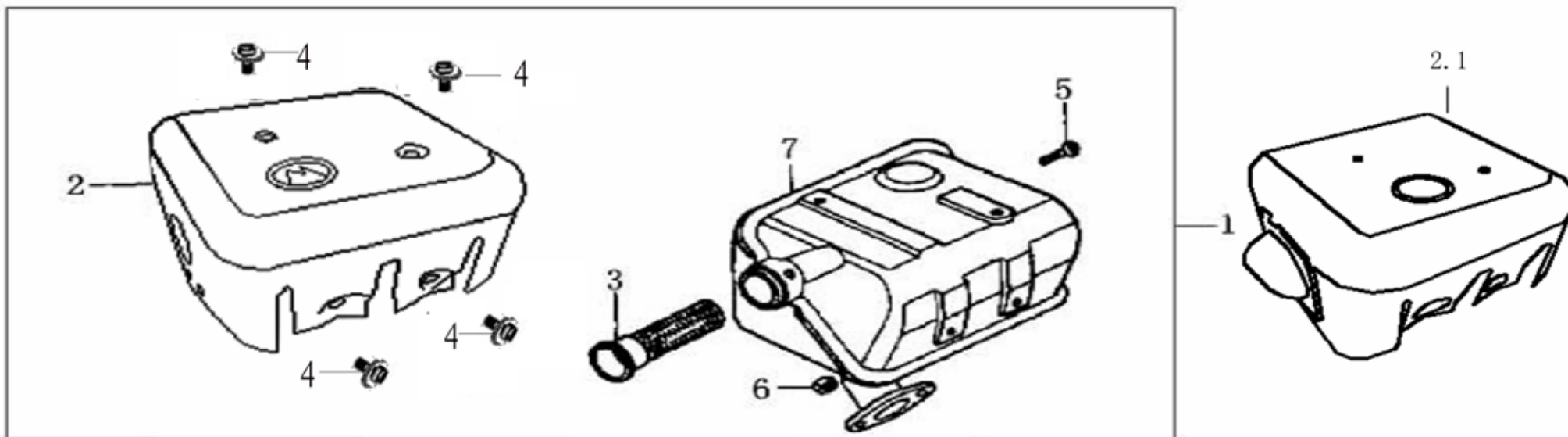
## AIR CLEANER

No.	Part No.	English	ZS168FA	ZS168FB	No.	Part No.	English	ZS168FA	ZS168FB
1	16110-KB01-0000	SILENCER PLATE	1	1	14	16119-KB01-0000	COLLAR AIR CLEANER	2	2
2	16104-KB01-0000	ELEMENT ,AIR CLEANER	1	1	15	16100-KB01-0000	CAP CLEANER	1	1
3	16108-KB01-0000	ELEMENT ,AIR CLEANER	1	1					
4	16118-KB01-0000	GROMMET AIR CLEANER	1	1					
5	16101-KB01-0000	ELEMENT AIR CLEANER	1	1					
6	16153-KB01-0000	BUTTERFLY NUT	2	2					
7	16105-KB01-0100	COVER ,AIR CLEANER	1	1					
8	16100-KB01-0000	AIR CLEANER ASSY	1	1					
9	16102-KB01-0000	PACKING ELBOW	1	1					
10	B057890006002070B	BOLT FLANGE 6x20	1	1					
11	16120-KB01-0000	COLLAR B AIR CLEANER	1	1					
12	16127-KB01-0000	ELBOW COMP AIR CLEANER	1	1					
13	B061770006000070B	NUT FLANGE 6MM	2	2					



## AIR CLEANER

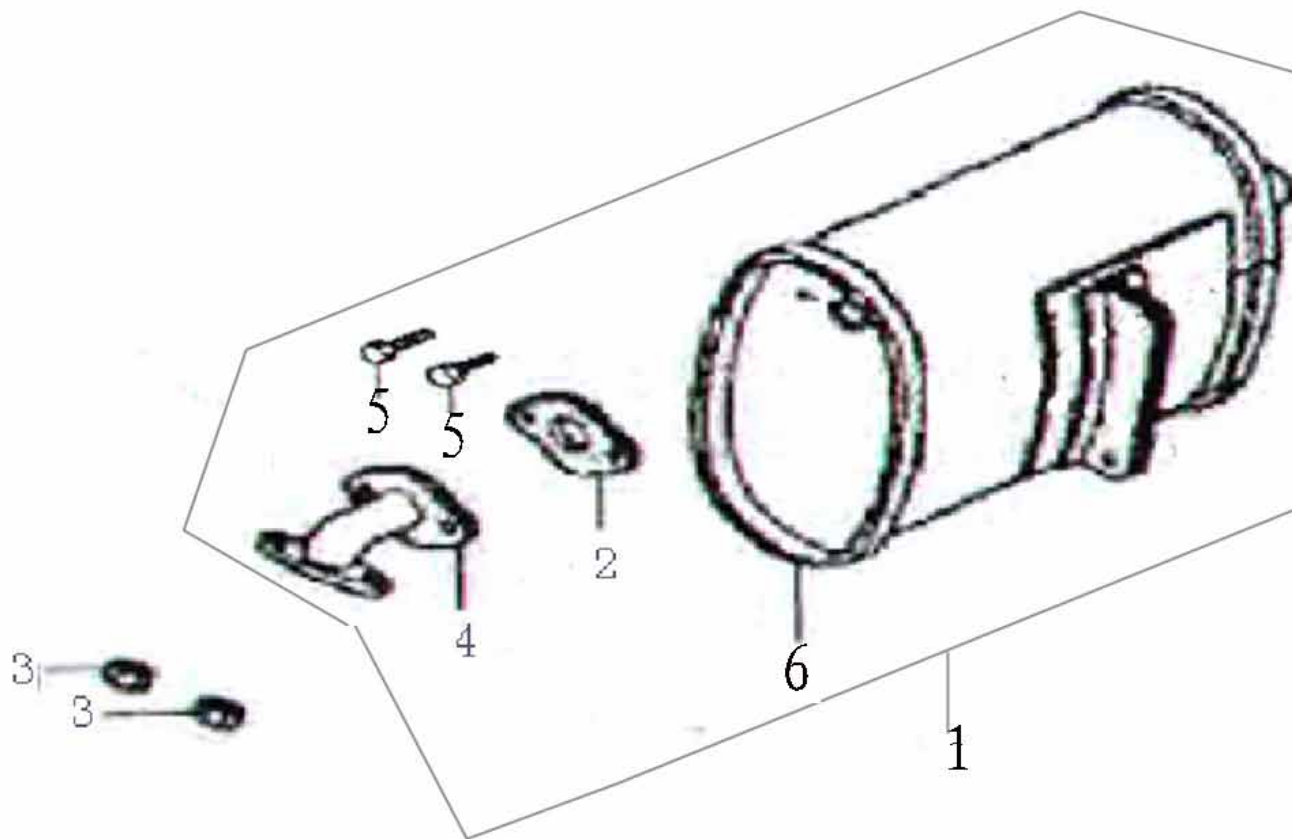
No.	Part No.	English	ZS168FA	ZS168FB
1	16105-KB03-0000	COVER AIR CLEANER	1	1
2	16101-KB03-0000	ELEMENT AIR CLEANER	1	1
3	16101-KB03-0100	ELEMENT 2 AIR CLEANER	1	1
4	B057870005002570B	BOLT	4	4
5	16106-KB03-0000	SEPARATOR AIR CLEANER	1	1
6	16127-KB03-0000	CASECOMP AIR CLEANER	1	1



## MUFFLER

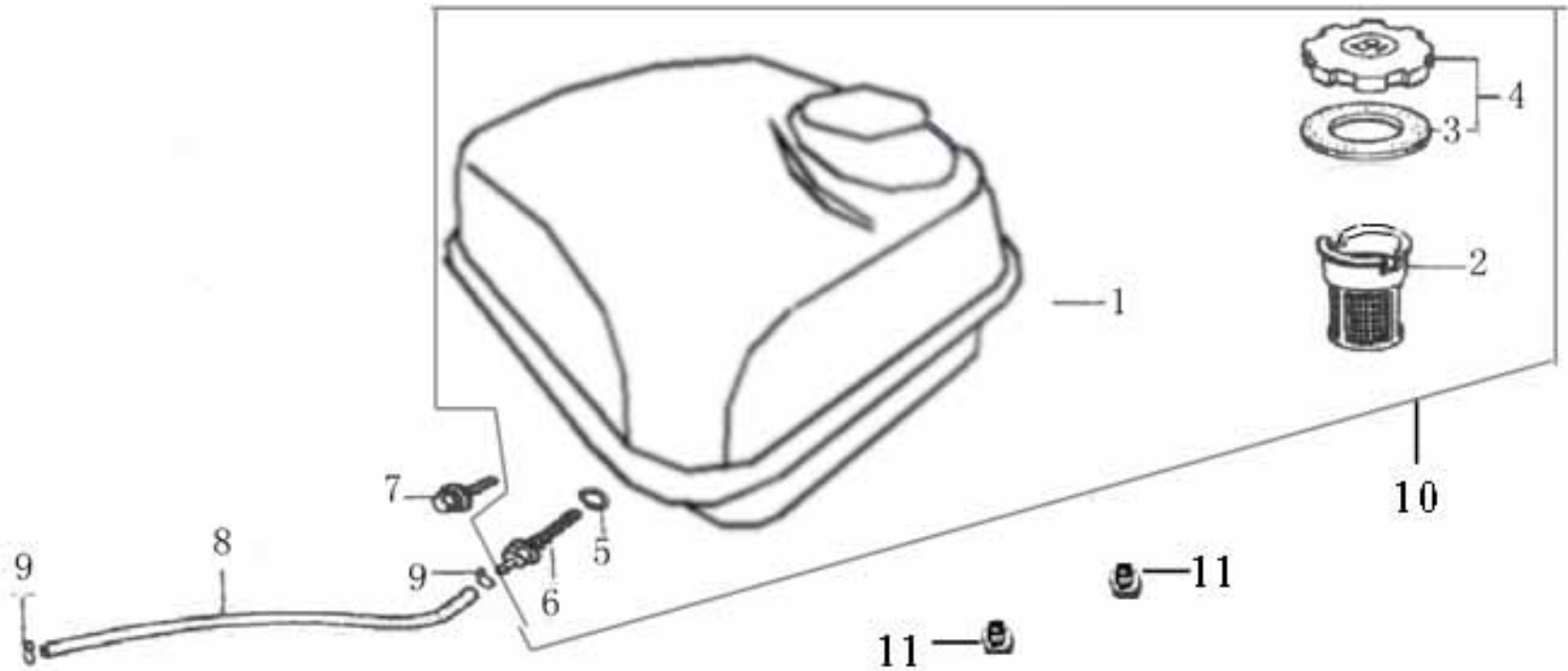
No.	Part No.	English	ZS168FA	ZS168FB
1	18000-KB01-0000	MUFFLER COMP.	1	1
2	18040-KB01-0100	PROTECTOR MUFFLER	1	1
2,1	18040-KB01-0200	PROTECTOR MUFFLER	1	1
3	18013-KB01-0000	ARRESTER SPARK	1	1
4	B057890005000870B	SCREW TAPPING 5x8	4	4
5	B008470004000670B	SCREW TAPPING 4x6	1	1
6	B061700008000000B	NUT HEX 8MM	2	2
7	18004-KB01-0000	MUFFLER	1	1





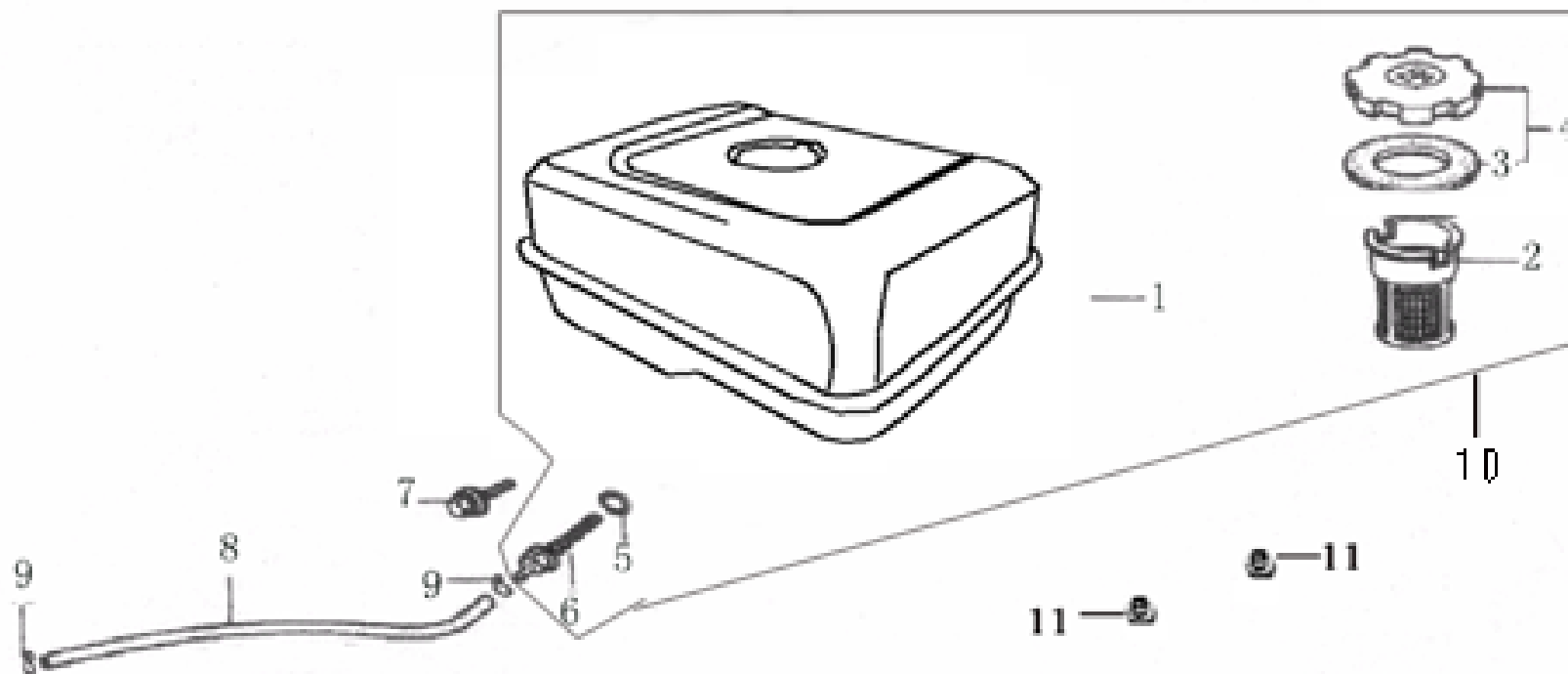
## MUFFLER COMP.

No.	Part No.	English	ZS168FA	ZS168FB
1	18000-KB93-0000	MUFFLER COMP	1	1
2	18007-B93-0000	GASKET EX PIPE	1	1
3	B061700008000000B	NUT HEX M8	2	1
4	18100-KB93-0000	PIPE COMP EX	1	1
5	B057890008001670B	BOLT FLANGE M8x16	2	1
6	18004-B93--0000	MUFFLER	1	1



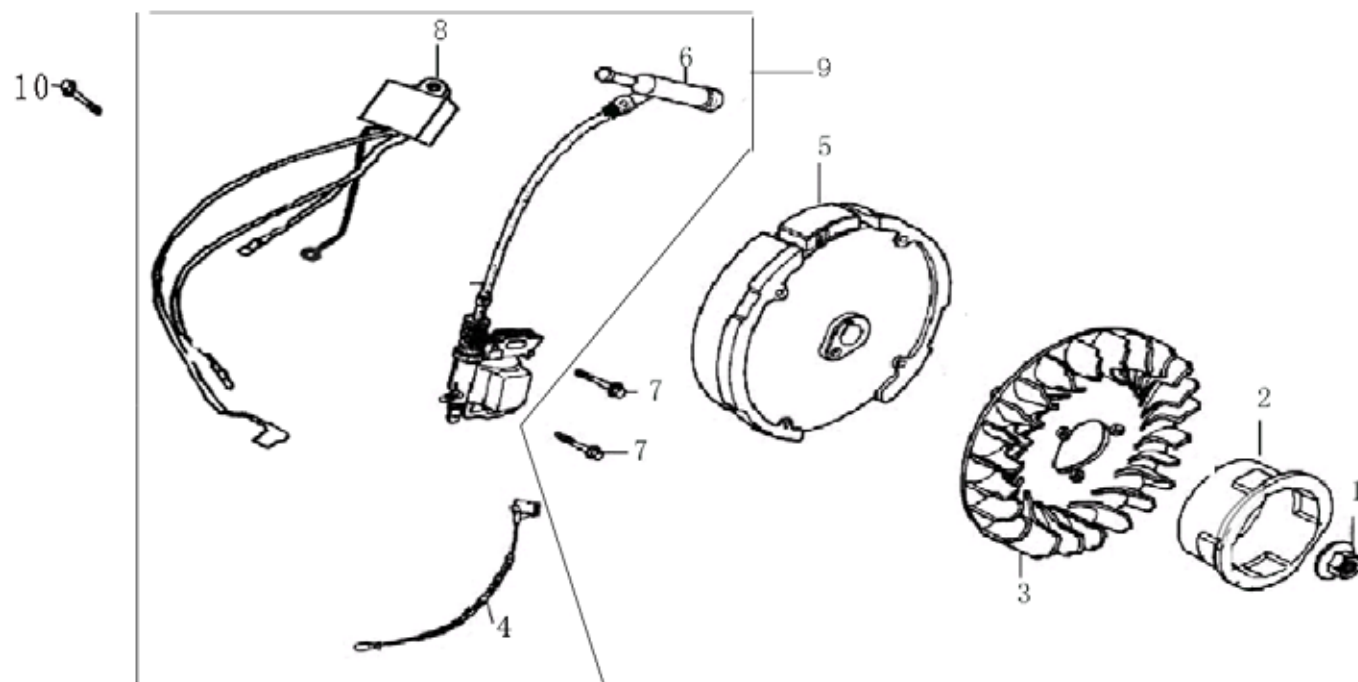
## FUEL TANK

No.	Part No.	English	ZS168FA	ZS168FB
1	61110-KB01-0000	TANK COMP FUEL	1	1
2	61130-KB01-0000	FILTER FUEL	1	1
3	61122-KB01-0000	PACKING FUEL FILLER CAP	1	1
4	61120-KB01-0000	CAP COMP. FUEL FELLER	1	1
5	17007-KB01-0000	PACKING	2	2
6	17006-KB01-0000	JOINT FUEL TANK	1	1
7	B057890006002870B	BOLT FLANGE M6x28	1	1
8	T2999904000800165	TUBE FUEL 4x 8x165	1	1
9	17020-KB01-0000	CLIP TUBE	2	2
10	61100-KB01-0000	TANK FUEL	1	1
11	B061700008000000B	NUT,FLANGE,M8	2	2



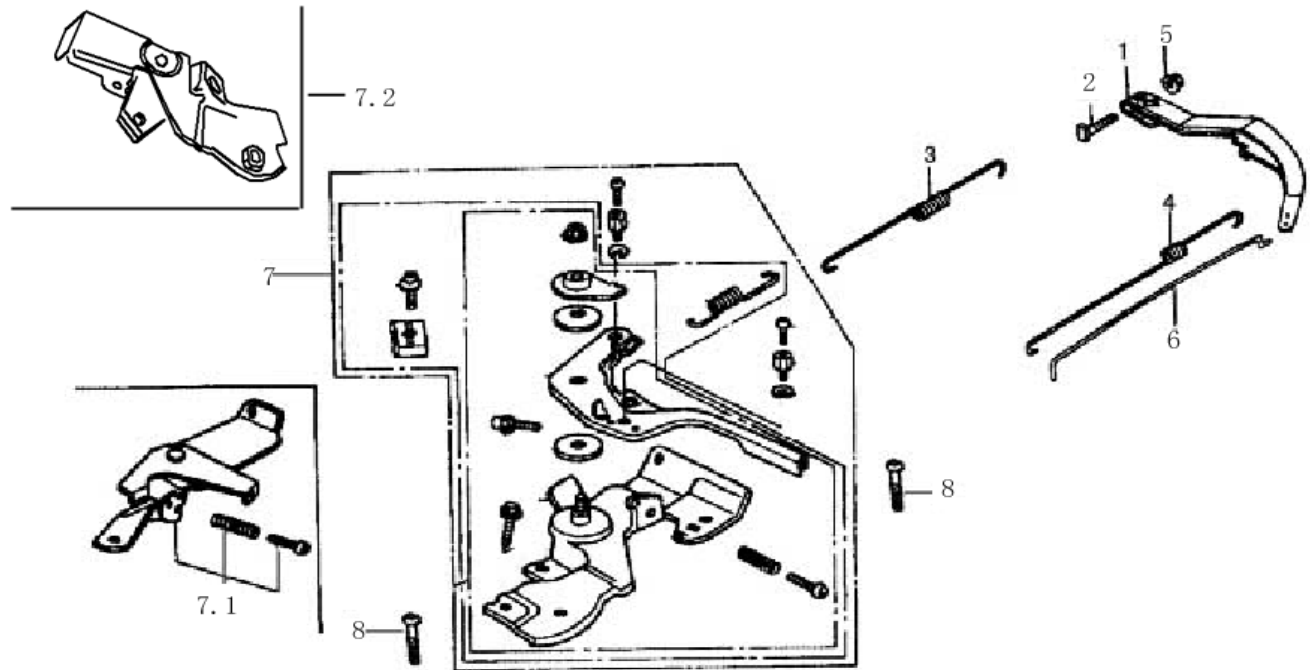
## FUEL TANK

No.	Part No.	English	ZS168FA	ZS168FB
1	61110-KB01-0500	TANK COMP FUEL	1	1
2	61130-KB01-0000	FILTER FUEL	1	1
3	61122-KB01-0000	PACKING FUEL FILLER CAP	1	1
4	61120-KB01-0000	CAP COMP. FUEL FILLER	1	1
5	17007-KB01-0000	PACKING	2	2
6	17006-KB01-0000	JOINT FUEL TANK	1	1
7	B057890006002870B	BOLT FLANGE M6x28	1	1
8	T2999904000800165	TUBE FUEL 4x 8x165	1	1
9	17020-KB01-0000	CLIP TUBE B8	2	2
10	61100-KB01-0500	TANK FUEL	1	1
11	B061700008000000B	NUT,FLANGE,M8	2	2



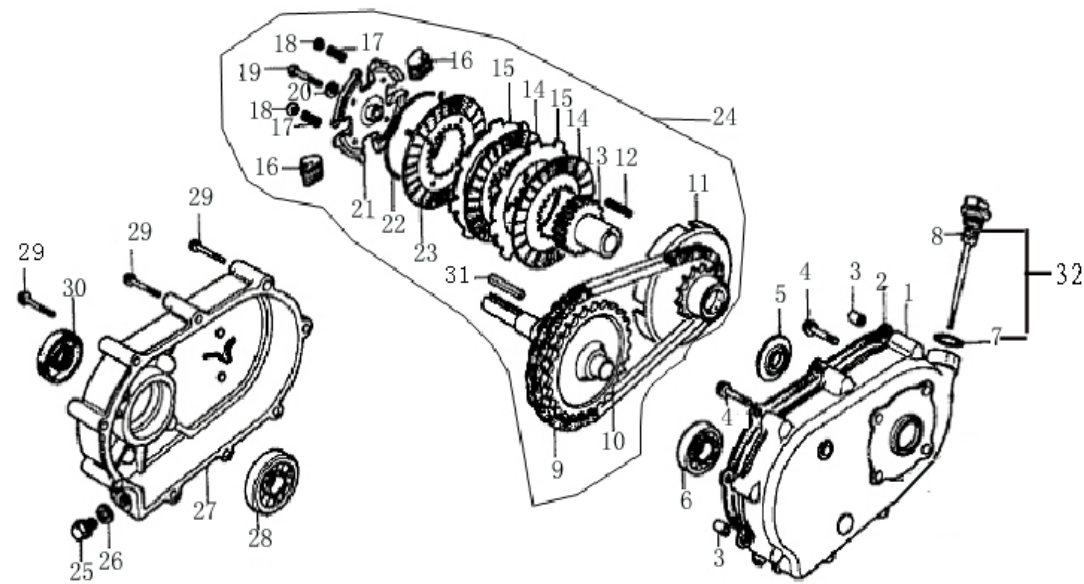
## FLY WHEEL

No.	Part No.	English	ZS168FA	ZS168FB
1	B061770004000070B	NUT SPECIAL M14	1	1
2	21520-KB01-0000	PULLEY STARTER	1	1
3	19102-KB01-0000	FAN COOLING	1	1
4	52605-KB01-0000	SWITCH LINE ENGINE STOP	1	1
5	82150-KB01-0000	FLYWHEEL COMP.	1	1
6	81200-KB01-0000	COIL ASSY. IGNITION	1	1
7	B057890006002570B	BOLT FLANGE M6x25	2	2
8	09003-KB01-0000	COIL ASSY. IGNITION	1	1
9	81200-KB01-0000	COIL ASSY. IGNITION	1	1
10	B057890006002570B	BOLT FLANGE M6x25	1	1



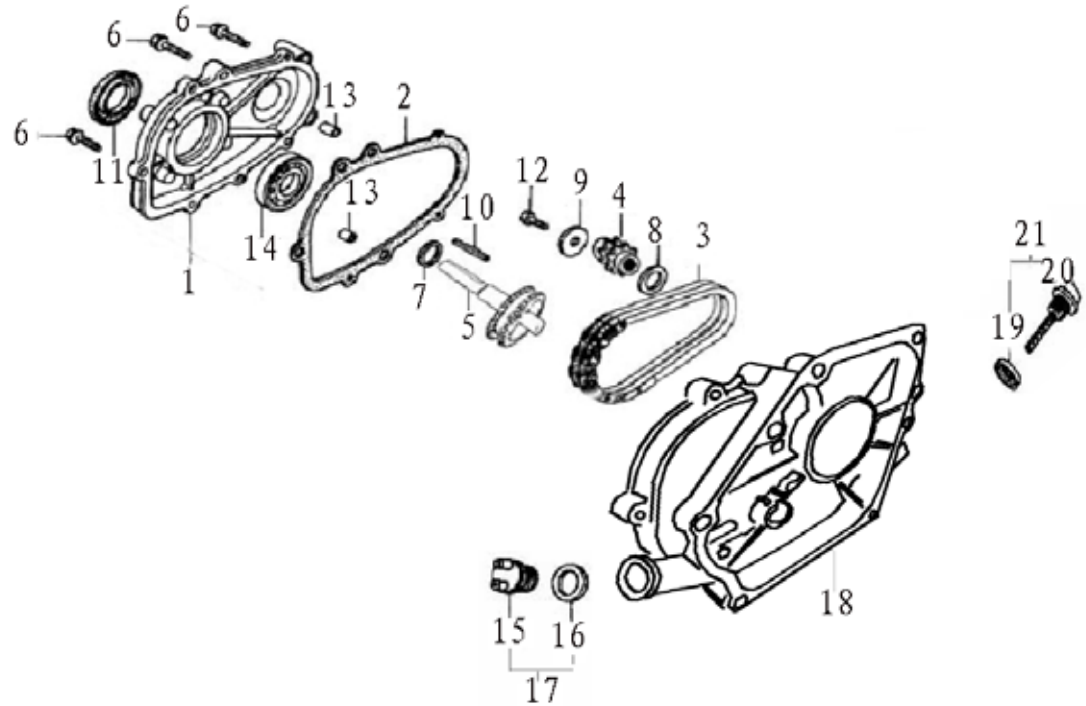
## CONTROL

No.	Part No.	English	ZS168FA	ZS168FB
1	24607-KB01-0000	ARM GOVERNOR	1	-
	24607-LB16-0000	ARM GOVERNOR	-	1
2	91121-1060-02120B	BOLT GOVERNOR ARM	2	2
3	24602-KB01-0000	SPRING GOVERNOR	1	-
	24602-KB03-0000	SPRING GOVERNOR	1	-
	24602-LB16-0000	SPRING GOVERNOR	-	1
	24602-LB18-0000	SPRING GOVERNOR	-	1
4	24603-KB01-0000	THROTTLE RETURN SPRING	1	1
5	B061770106000060B-1	NUT FLANGE 6MM	1	1
6	24604-KB01-0000	ROD GOVERNOR	1	1
7	24610-KB01-0000	CONTROL ASSY.	1	1
7,1	24610-KB03-0000	CONTROL ASSY.	1	1
7,2	24610-KB01-0100	CONTROL ASSY.	1	1
8	B057890006001270B	BOLT FLANGE 6x12	2	2



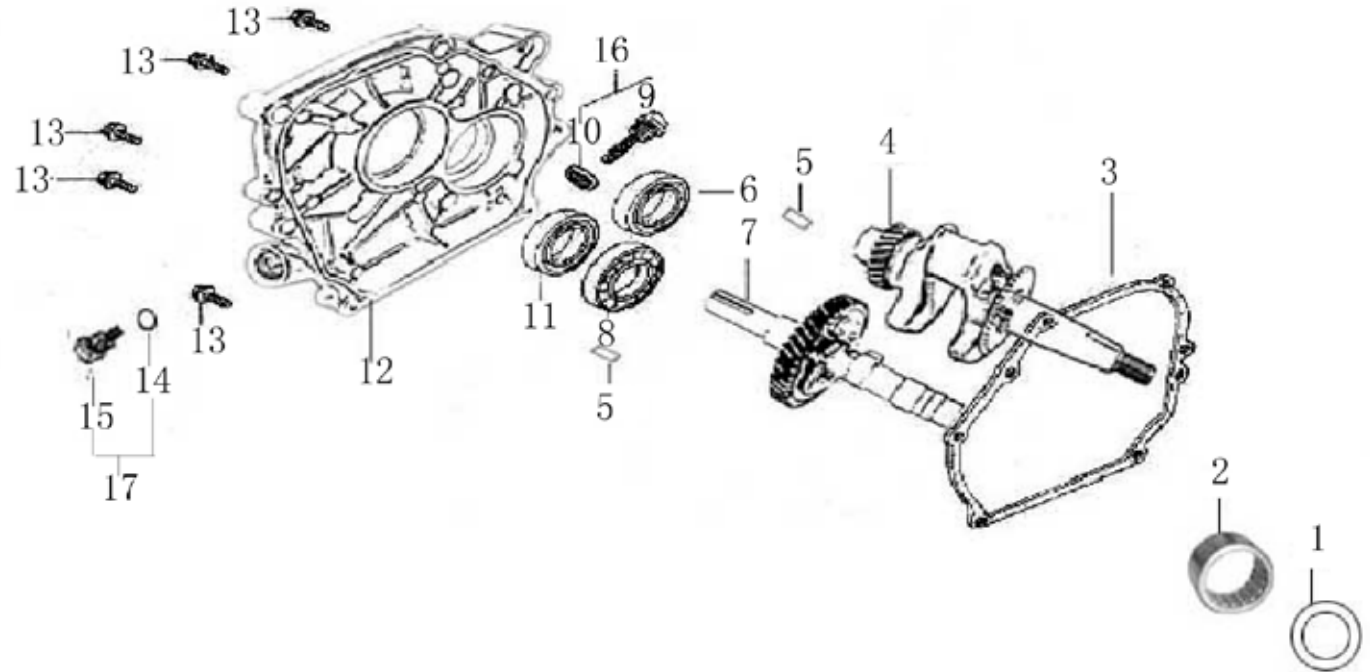
## CLUTCH 1/2 DECELERATION

No.	Part No.	English	ZS168FA	ZS168FB	No.	Part No.	English	ZS168FA	ZS168FB
1	23431-KB05-0000	LEFT COVER ,DECELE- RATION GEARBOX	1	1	18	22108-KB05-0000	CLIP	2	2
2	90233-KB05-0000	PACKING CASE COVER	1	1	19	B057890008003070B	BOLT M8x30	1	1
3	91521-08001000000	DOWEL PIN 8x10	2	2	20	B061700008000000B	BOLT M8	1	1
4	B057890008003270B	BOLT,FLANGE,M8x22	5	5	21	22109-KB05-0000	DRIVE PLATE	1	1
5	22112-KB05-0000	WASHER,CLUTCH	1	1	22	22110-KB05-0000	CIRCLIP,FLYWEIGHT	1	1
6	92102-00000006205	BEARING 6205	1	1	23	22106-KB05-0000	SCALEBOARD,FRICION PIECE	1	1
7	14303-KB05-0000	O-RING	1	1	24	22100-KB05-0000	CLUTCH COMP.	1	1
8	14312-KB05-0000	OIL DIPSTICK Assy.	1	1	25	91103-KB05-0000	BOLT DRAIN PLUG	1	1
9	26400-428H-0036	428 CHAIN	1	1	26	91302-91001516000	WASHER	1	1
10	26600-KB05-0000	OUTPUT SHAFT COMP.	1	1	27	23421-KB05-0000	RIGHT COVER , DECELARATION GEARBOX	1	1
11	22111-KB05-0000	SLEEVE ,SPINDLE	1	1	28	92102-00000006206	BEARING 6206	1	1
12	91606-0430500500	KEY 5x5x43	1	1	29	B057890006005570B	BOLT,FLANGE,M6x55	9	9
13	22103-KB05-0000	CENTER BUSH	1	1	30	T1205003000500700	OIL SEAL 30x50x7	1	1
14	22104-KB05-0000	FRICION PIECE	2	2	31	91606-0340700700	KEY 7x7x34	1	1
15	22105-KB05-0000	DRIVEN PIECE	2	2	32	14301-KB05-0000	DIPSTICK COMP	1	1
16	22101-KB05-0000	FLY WEIGHT	48	48					
17	22107-KB05-0000	SPRING	2	2					



## DOUBLE CHAIN DECELARATION

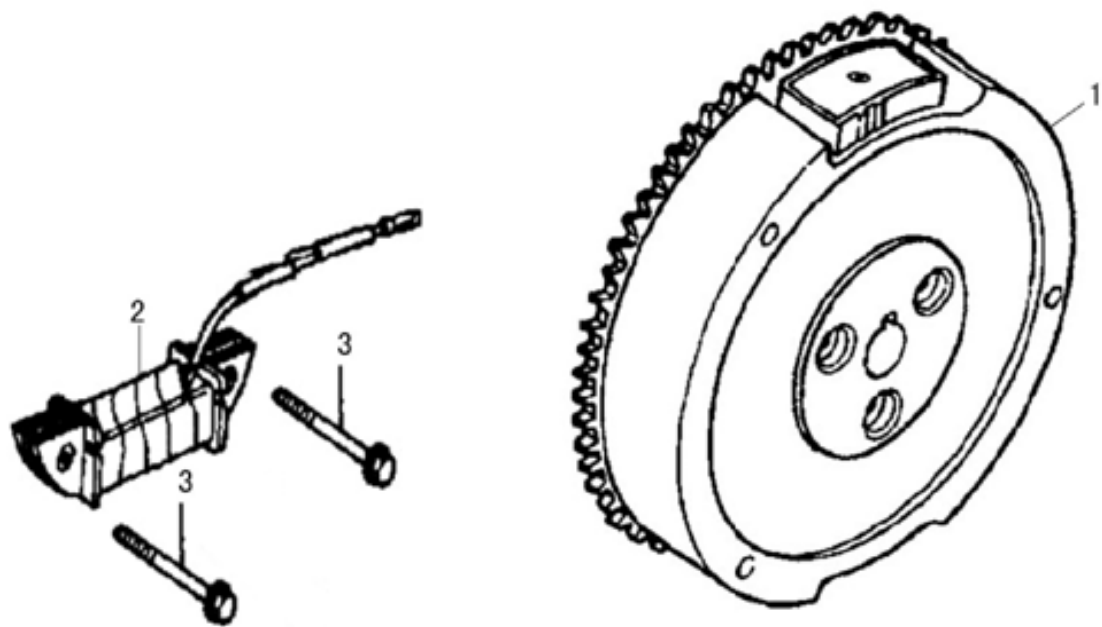
No.	Part No.	English	ZS168FA	ZS168FB	No.	Part No.	English	ZS168FA	ZS168FB
1	23411-KB07-0000	COVER,REDUCTION GEARBOX	1	1	15	14315-KB01-0000	CAP OILFILLER	1	1
2	90233-KB07-0000	PACKING	1	1	16	14303-KB01-0000	O-RING	5	5
3	26400-006B-2034	CHAIN COMP	1	1	17	14311-KB01-0000	CAP COMP OILFILLER	1	1
4	23401-KB07-0000	DRIVE SPRIOCKET	1	1	18	12301-KB07-0000	CRANKCASE COVER ASSY	1	1
5	23403-KB07-0000	DRIVEN SPROCKET	1	1	19	14303-KB01-0000	O-RING	1	1
6	B057890006002770B	BOLT,FLANGE M6x27	5	5	20	14312-KB01-0000	OIL DIPSTICK	1	1
7	91306-9206033000E	WASHER 20.6x30x0.3	1	1	21	14301-KB01-0000	OIL DIPSTICK COMP	1	1
8	91302-92064033000	WASHER 20.6x33x4	1	1					
9	91302-90864025000	WASHER 8.6x25x4	1	1					
10	91606-0190400400	KEY 4x4x19	1	1					
11	T1105025004125600	OIL SEAL	1	1					
12	B057890008002570B	BOLT ,FLANGE M8x25	1	1					
13	91521-08001400000	PIN DOWEL 8x14	2	2					
14	92102-0000006205	BEARING 6205	1	1					



## CAMSHAFT 1/2 DECELARATION

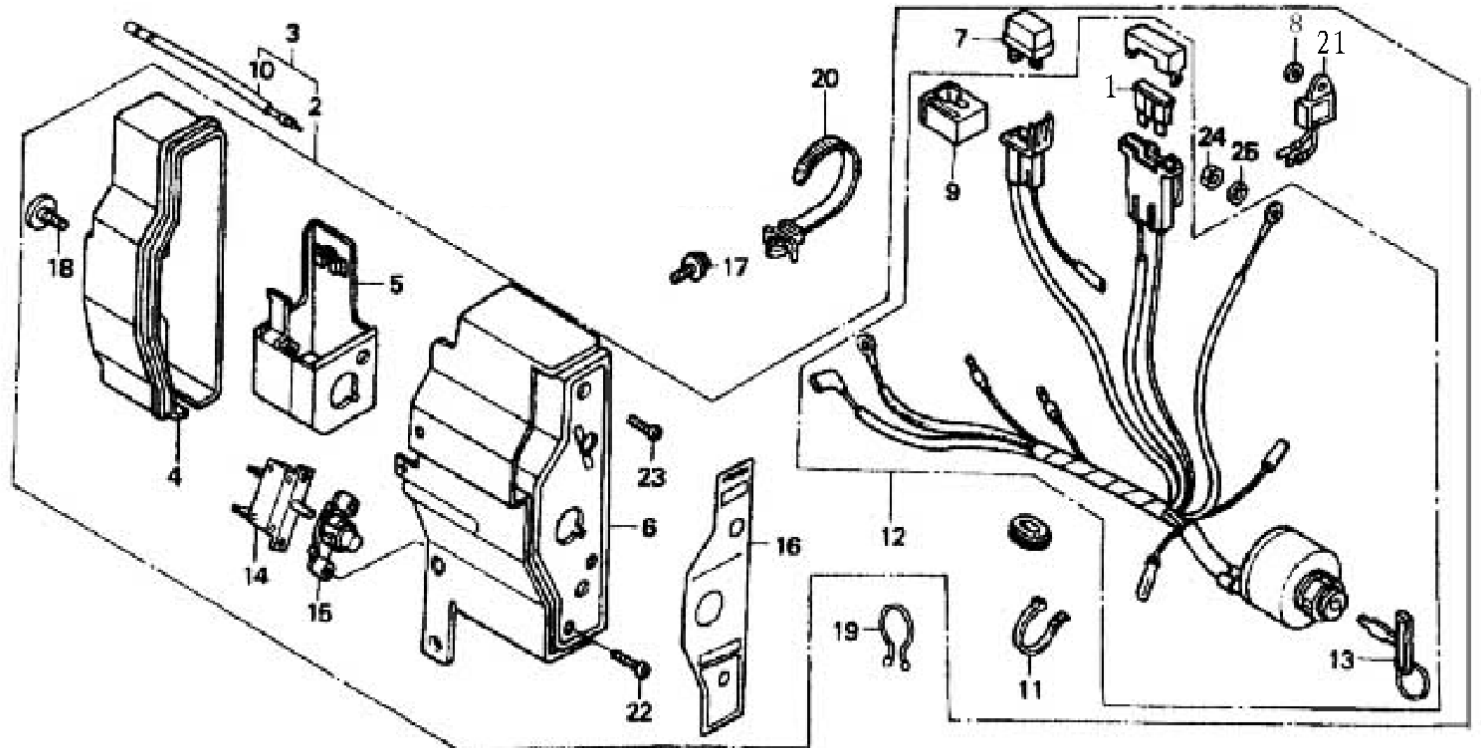
No.	Part No.	English	ZS168FA	ZS168FB	No.	Part No.	English	ZS168FA	ZS168FB
1	91306-92051030X0E	WASHER 20.5× 30×1	1	1	16	14301-KB01-0000	OIL DIPSTICK COMP	1	1
2	92102-00009400-10	BALL BEARING 26× 20×10	1	1	17	14311-KB01-0000	CAP COMP OILFILLER	1	1
3	90208-KB01-0000	GASKET CASE COVER	1	1					
4	13230-KB01-7100	CRANKSHAFT	1	1					
5	91521-08001400000	PIN DOWEL 8×14	2	2					
6	92102-00000006205	BEARING 6205	1	1					
7	15100-KB06-0000	CAMSHAFT	1	1					
8	92102-00000006205	BEARING 6205	1	1					
9	14312-KB01-0000	OIL DIPSTICK	1	1					
10	14303-KB01-0000	O-RING	1	1					
11	T1105025004125600	OIL SEAL 25×41.25×6	1	1					
12	12301-KB06-0000	LEFT COVER , CRANKCASE	1	1					
13	B057890008003270B	BOLT,FLANGE M8×32	6	6					
14	14303-KB01-0000	O-RING	1	1					
15	14315-KB01-0000	OIL FILLER CAP	1	1					





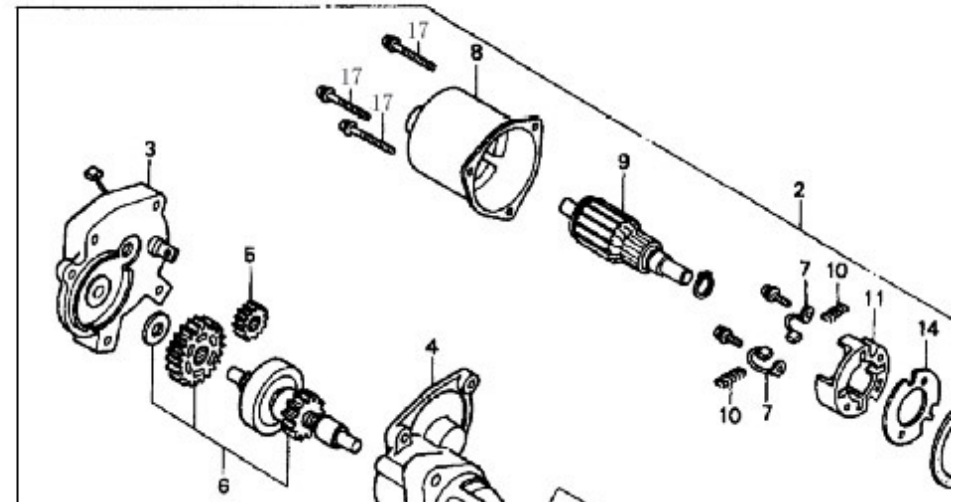
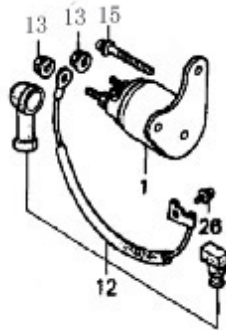
## FLYWHEEL

No.	Part No.	English	ZS168FA	ZS168FB
1	82150-KB12-0000	FLYWHEEL,COMP.	1	1
2	82108-KB12-0000	COIL ASSY. CHARGE	1	1
3	B057890006003070B	BOLT,FLANGE 6x30	2	2



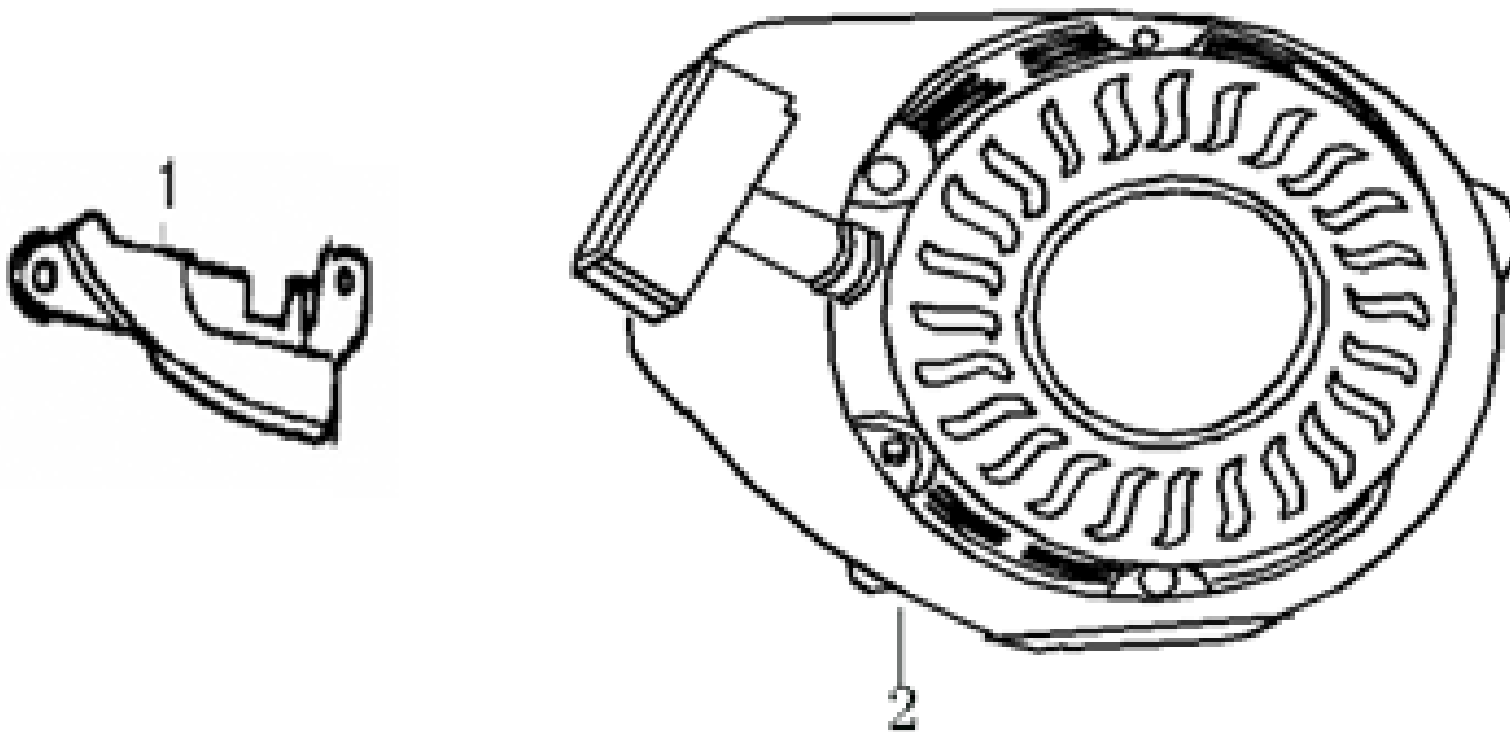
## CONTROLLED BOX

No.	Part No.	English	ZS168FA	ZS168FB	No.	Part No.	English	ZS168FA	ZS168FB
1	82249-KB12-0000	FUSE	1	1	15	82251-KB12-0000	BUTTON FUSE RENEWED	1	1
2	82243-KB12-0000	CONTROLLED BOX START	1	1	16	T09999-KB12-0000	APPLIQUE	1	1
3	82240-KB12-0000	CONTROLLER Assy.	1	1	17	B057890006001270B	BOLT FLANGE 6x12	2	2
4	82244-KB12-0000	COVER BACK	1	1	18	B008180005000800B	BOLT FLANGE 5x8	1	1
5	82245-KB12-0000	SKELETON	1	1	19	82253-KB12-0000	CLIP1 WIRE	1	1
6	82246-KB12-0000	FRONT COVER	1	1	20	82254-KB12-0000	CLIP2 WIRE	1	1
7	82247-KB12-0000	RECTIFIER B	1	1	21	82248-KB12-0000	RECTIFIER C	1	1
8	B061700005000060B	NUT ,FLANGE M5	1	1	22	B057890004001070B	BOLT FLANGE 4x10	2	2
9	82248-KB12-0000	RECTIFIER C	1	1	23	B008180004001200B	BOLT FLANGE 4x12	1	1
10	82241-KB12-0000	INPUT LINE	1	1	24	B061700005000060B	NUT FLANGE 5	1	1
11	82249-KB12-0000	LINE CLIP	1	1	25	B000970205000000B	WASHER 5	1	1
12	82241-KB12-0000	MODULE CONTROLLED	1	1	26	82250-KB12-0000	FUSE 5A	1	1
13	TD2002-C04-0000	KEY	2	2					
14	82250-KB12-0000	FUSE RENEWED	1	1					



## STARTUP ELECTROMOTOR ASSY

No.	Part No.	English	ZS168FA	ZS168FB	No.	Part No.	English	ZS168FA	ZS168FB
1	82290-KB12-0000	RELAY STARTING	1	1	15	B057890005003270B	BOLT ,FLANGE 5x32	2	2
2	82230-KB12-0000	STARTUP ELECTROMOTOR	1	1	16	8224G-KB12-0000	WASHER	1	1
3	82234-KB12-0000	COVER ASSY. MIDDLE	1	1	17	B057890005003270B	BOLT, FLANGE 5x32	4	4
4	82235-KB12-0000	COVER	1	1	18	B057890008003570B	BOLT, FLANGE 8x35	2	2
5	82236-KB12-0000	GEAR SMALL	1	1					
6	82237-KB12-0000	PARTS OF APPLIANCE ONE WAY	1	1					
7	82238-KB12-0000	BRUSH,PANEL	2	2					
8	8224E-KB12-0000	STATOR COMP.	1	1					
9	8224F-KB12-0000	ROTOR COMP.	1	1					
10	82239-KB12-0000	BRUSH SPRING	4	4					
11	8224C-KB12-0000	BRUSH FRAME	1	1					
12	82204-KB12-0000	WIRING WATERPROOF	1	1					
13	B061700008000000B	NUT,FLANGE M8	2	2					
14	8224D-KB12-0000	INSULATION BORD	1	1					



## SIDE PLATE

No.	Part No.	English	ZS168FA	ZS168FB
1	19112-KB12-0000	PLATE, SIDE	1	1
2	21500-KB12-2000	RECOIL STARTER ASSY	1	1