

No.	Code	English Name	Unit	
1	SJ-205B	Handle assembly	1	
2	SJ-217	Handle sleeve	2	
3	SJ-221	cam Connecting handle	2	
4	SX-11-001B	handle spring	1	same as STG1170Ae-01
5	SJ-203	cam bracket (right)	1	
6	SJ-258	self-lock flake	1	
7	SX-11-02	clutch 1-2	1	same as STG1170Ae-01
8	SJ-204	cam bracket (left)	1	
9	SX-11-001	handle twist spring (left)	1	same as STG1170Ae-01
10	SJ-205A	adjusting crank	1	
11	SX-11-007	spring 3	1	same as STG1170Ae-01
12	SJ-213	Dead plate welding drawing	1	
13	SJ-241	Adjusting lever handle	2	
14	SJ-209-4	Adjusting joint rod	1	
15	SJ-209	Adjuster lever welding drawing	1	
16	SJ-215	U fiche	4	
17	SJ-224	Pear-Shaped fiche	8	
18	SJ-206	SJ control arm	4	
19	SX-11-03	clutch 1-1	1	same as STG1170Ae-01
20	SJ-210-2	Adjuster damp fixing plate 2	1	
21	SJ-223	Bowl shrapnel	4	
22	SB-158	plain cushion	4	φ5*φ16*1.2
23	SJ-042-2	Handle	1	
24	SJ-210-1	Adjuster damp fixing plate 1	1	
25	SJ-246	Operation Panel	1	
26	SB-124	plain cushion	2	φ8.5*φ22*1.8
27	SB-125	hexagonal Nut	2	M8
28	SB-126	lock nut	2	M8
29	SJ-028	SJ Handle mat	2	
30	SB-127	hexagonal flange screw	2	M8X40
31	SB-128	hexagonal flange screw	2	M8X20 GB5780-86
32	SJ-026	SJ Head shaft bushing	2	
33	SJ-003	SJ Large gear	1	
34	SB-018	Semicircular key	2	5×7.5×19 GB1099-79
35	SB-019	Pin	1	30×φ4 GB879.2-2000

No.	Code	English Name	Unit	
36	SJ-017-2	SJ Drive wheel axle	1	
37	SJ-066	SJ Spring Pin	2	
38	SB-020	plain cushion	2	φ19.5*φ38*1.5
39	SB-21A	Tyre	1	
40	SJ-134	Gasoline Engine	1	168FBE
41	SB-022	hexagonal Screw	2	M6X10 GB5780-86
42	SB-023	plain cushion	2	φ6.5*φ11.5*1.5
43	SJ-031	SJ Pulley Cover	1	
44	SB-024	lock nut	4	M8
45	SB-025	plain cushion	4	φ8.5*φ16*1.5
46	SB-016	plain cushion	2	φ8.5*φ22*1.8
47	SJ-214	Gear lever fixed hub	1	
36	SJ-017	SJ Drive Bearing	1	
37	SJ-066	SJ Spring Pin	2	
38	SB-020	Plain cushion	2	φ19.5*φ38*1.5
39	SB-021	Tyre	2	4,10-6
40	SJ-134	Gasoline Engine	1	168FA
41	SB-022	Hexagonal Screw	2	M6X10 GB5780-86
42	SB-023	Plain cushion	2	φ6.5*φ11.5*1.5
43	SJ-031	SJ Pulley Cover	1	
44	SB-024	Lock nut	4	M8
45	SB-025	Plain cushion	4	φ8.5*φ16*1.5
46	SJ-052	Hexagonal Screw	2	
47	SJ-016B	SJ wire pulley	1	
48	SJ-211	Gear frame welding drawing	1	
49	SJ-233	wire pin	5	
50	SB-130	hatch pin	5	φ2.9*25
51	SJ-238	bracket washing	2	
52	SJ-227-2	Chute rocker	1	
53	SB-131	Spring-type straight pin	1	φ4*42
54	SJ-208	spiral gear	1	
55	SJ-212	Chute rocker fixed bracket	1	
56	SB-031	lock nut	6	M8
57	SB-032	plain cushion	6	φ8.5*φ16*1.5
58	SJ-103B-2	SJ Gearbox Cover	1	

No.	Code	English Name	Unit	
59	SB-033	hexagonal screw	4	M8X35 GB5780-86
60	SB-034	hexagonal screw	1	M6X35
61	SB-035	hexagonal screw	1	M6X20
62	SB-036	lock nut	3	M6
63	SJ-242	Rocker handle sleeve	1	
64	SJ-240	Rocker handle	1	
65	SJ-227	chute rocker crank	1	
66	SB-039	Hexagonal Screw	2	M6X10 GB5780-86
67	SB-040	plain cushion	1	φ6.5*φ12*0.5
68	SJ-102	SJ Gearbox Cover	1	
69	SB-041	plain cushion	4	φ6 GB95-85
70	SB-042	Hexagonal Screw	4	M6X10 GB5780-86
71	SB-043	lock nut	1	M8
72	SJ-045	SJ Small tension arm	1	
73	SJ-046-1	SJ Tension convex plank	1	
74	SB-044	Hexagonal Screw	1	M8X20 GB5780-86
75	SJ-035-1	Spring 3	1	
76	SX-11-170B	Small tension convex washer	1	same as STG1170Ae-01
77	SB-045	Hexagonal Screw	1	M8X10
78	SB-046	plain cushion	2	φ8.5*φ15.5*1.5
79	SX-11-170	Small Tension pulley (+Bearr.)	1	same as STG1170Ae-01
80	SJ-008C	Pad	1	
81	SB-047	Hexagonal Screw	1	M8X30 GB5780-86
82	SJ-049	SJ Main synchromesh pulley	1	
83	SB-048	plain cushion	1	φ8.5*φ27.5*3
84	SB-049	hexagonal flange bolt	1	M8X25 GB5780-86
85	SJ-049B-3	SJ Main pulley	1	
86	SB-132	V-belt	1	V13-885
87	SB-051	Synchro-belt	1	5M 150teeth,width15mm
88	SB-052	Hexagonal Screw	1	M8×16 GB5781-86
89	SB-053	plain cushion	3	φ8.5*φ28*2
90	SB-054	Deep slot bearing with lock	1	203 GB277-82
91	SX-11-005	clutch pin	1	same as STG1170Ae-01
92	SJ-005	SJ Hexagon gear shaft	1	
93	SJ-013C	SJ Change wheel	1	

No.	Code	English Name	Unit	
94	SB-055	Hexagonal Screw	3	M6X12 GB5780-86
95	SJ-013D	SJ Change wheel Circle	1	
96	SJ-013A	SJ Change wheel washer	2	
97	SB-056	Hexagonal Screw	3	M6X12 GB5780-86
98	SJ-013B	SJ Change wheel cover	2	
99	SB-057	Circlip for shaft	1	φ35
100	SB-058	Deep slot bearing	1	203 GB278-82
101	SB-059	plain cushion	1	φ10.5*φ28*2
102	SB-060	Nut	1	M10 GB6170-86
103	SJ-002	SJ Orthogonal Iron	1	
104	SB-061	Hexagonal Screw	2	M6X10 GB5780-86
105	SJ-040	SJ Gearlever	1	
106	SJ-010A	SJ driving sync wheel	1	
107	SJ-010B	SJ Driving wheel shaft	1	
108	SB-062	Deep slot bearing	2	203 GB278-82
109	SJ-007	SJ Pulley bracket	1	
110	SB-063	Pin	1	35×φ2.5 GB879-86
111	SB-064	lock nut	1	M10
112	SJ-069	Spring 6	1	
113	SJ-107	SJ Separate Sleeve	1	
114	SB-065	plain cushion	1	φ13*φ24*2
115	SB-066	pin	1	φ4
116	SJ-015	SJ Pulley subpanel 2	1	
117	SB-067	plain cushion	2	φ6.5*φ12*0.75
118	SB-068	Hexagonal Screw	2	M6X10 GB5780-86
119	SJ-231	stepped wire	1	
120	SB-133	hexagonal flange bolt	4	ST4*20
121	SJ-008	SJ Tension pulley 2 (+Bearing)	1	
122	SJ-008B	SJ Washer	1	
123	SB-069	Hexagonal Screw	1	M8X45 GB5780-86
124	SJ-008C	SJ Pad	1	
125	SB-070	lock nut	1	M8
126	SB-071	lock nut	1	M10
127	SB-072	plain cushion	1	φ10.5*φ20*2
128	SJ-023-2	SJ Dead plate	A3	same as SNOW CRYSTAL

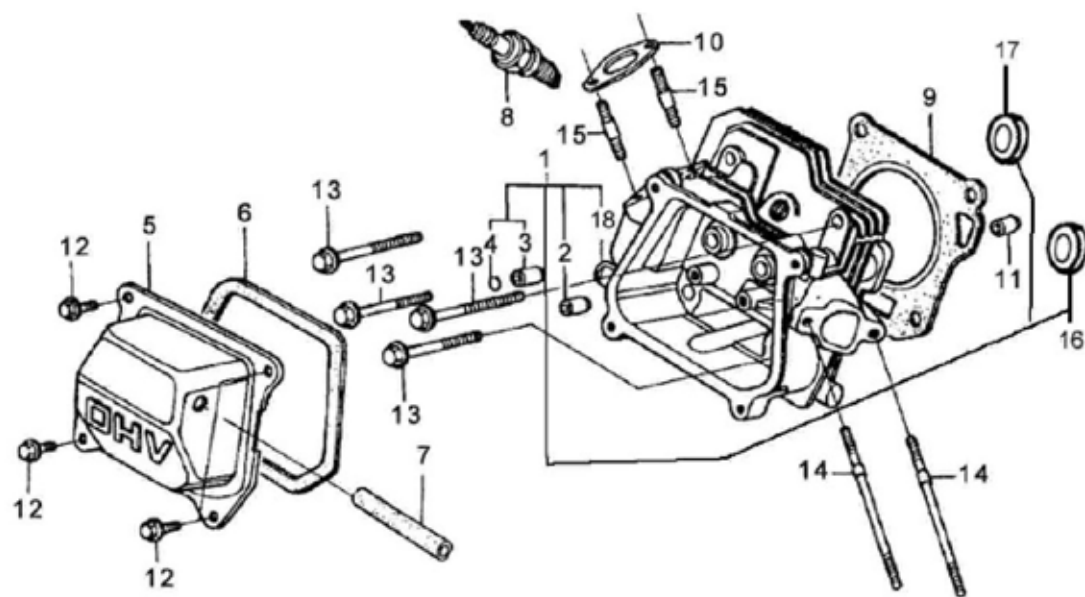
No.	Code	English Name	Unit	
129	SJ-230	Auger wire	1	
130	SJ-050	SJ Hexagonal Screw 1	1	
131	SJ-037	Spring 5	1	
132	SB-073	plain cushion	2	φ8.5*φ16*1.5
133	SB-074	lock nut	1	M8
134	SB-075	Hexagonal Screw	1	M8X20 GB5780-86
135	SB-076	plain cushion	1	φ8.5*φ28*2
136	SJ-039-2	SJ Large Pulley	1	
137	SB-077	lock nut	1	M8
138	SJ-004	SJ Rockered Cover	1	
139	SB-078	Square Key	1	6×6×15 GB1099-79
140	SB-079	Pillow block bearing	1	204 GB3882-87
141	SJ-239	Rocker washer	1	
142	SJ-229	Gear wire 2	1	
143	SJ-228	Gear wire 1	1	
144	SB-081	Cup head square neck bolt	4	M8×20 GB12-88
145	SJ-225	bracket	1	
146	SB-082	lock nut	2	M8
147	SB-083	plain cushion	1	φ8.5*φ22*2
148	SB-084	lock nut	2	M8
149	SB-085	Cup head square neck bolt	2	M8×16 GB12-88
150	SB-086	lock nut	4	M8
151	SJ-006-2	SJ Shave Plate	1	
152	SB-087	Cup head square neck bolt	2	M8×18 GB12-88
153	SB-088	plain cushion	4	φ8.5*φ22*2
154	SB-089	lock nut	2	M8
155	SB-090	plain cushion	2	φ8.5*φ22*2
156	SJ-111	SJ Sliding Stick	2	
157	SJ-104-2	SJ Steel Cover	1	
158	SJ-022-2	SJ Output Shaft	1	
159	SB-091	Semicircular key	1	5×7.5×19 GB1099-79
160	SB-092	lock nut	2	M8
161	SJ-070	Not-Standard Screw	2	M8X38
162	SJ-067-2A	SJ Left Auger	1	
163	SJ-019	SJ Drive Shaft Sheath	1	

No.	Code	English Name	Unit	
164	SB-093	plain cushion	2	φ19.5*φ38*1.5
165	SJ-020	SJ Shaft bushing	2	
166	SJ-024	SJ Bearing Cover	2	
167	SB-094	plain cushion	6	φ8.5*φ15*1.5
168	SB-095	Hexagonal Screw	6	M8X10 GB5780-86
169	SJ-067-2B	SJ Right Auger	1	
170	SB-096	Hexagonal Screw	6	M6×20 GB5781-86
171	SB-097	Spring washer	7	φ6.5*φ9*1.5
172	SB-098	plain cushion	7	φ6.5*φ12*0.5
173	SJ-038	SJ Worm Wheel	1	
174	SJ-101	SJ Upper Pedestal	1	
175	SJ-108-1	SJ Shaft bushing	2	
176	SJ-019	SJ Drive Shaft bushing	3	
177	SJ-101A	SJ Pedestal	1	
178	SB-099	Deep slot bearing	1	101 GB276-82
179	SJ-030	SJ Drive Worm shaft	1	
180	SB-100	Deep slot bearing	1	904 GB276-82
181	SB-101	One direction thrust bearing	1	8104 GB301-84
182	SB-102	oil seal	1	
183	SB-106	Pin	2	30×φ6 GB879-86
184	SJ-057	Washer	1	
185	SJ-001	SJ Fan	1	
186	SB-104	Cup head square neck bolt	4	M8×18 GB12-88
187	SB-105	plain cushion	2	φ8.5*φ22*2
188	SB-106	lock nut	2	M8
189	SB-107	lock nut	2	M6
190	SB-108	Hexagonal Screw	2	M6X16 GB5780-86
191	SB-109	lock nut	6	M6
192	SJ-021	chute sheeting	3	
193	SJ-021C	Chute mat	6	
194	SB-120	Hexagonal Screw	6	M6X16
195	SJ-237	chute pedestal plastic circle	1	
196	SJ-232	chute wire	1	
197	SJ-226	chute extension spring	1	
198	SJ-200A 200B	Chute	1	

No.	Code	English Name	Unit	
199	SB-134	Hexangular Screw	1	M6X20
200	SJ-036	Spring 4	1	
201	SB-114	Flange Nut	1	M6
202	SJ-012	SJ Discharge Chute Accessories	1	
203	SJ-150	plastic shovel	1	
204	SB-110	plain cushion	2	M8×16 GB12-88
205	SJ-151	shovel bracket	1	
206	SJ-113	Washer	1	
207	SB-115	Hexangular Screw	1	M6X25
208	SB-121	Flange Screw	2	M5X20
209	SJ-130	Thermally insulated shroud	1	
211	SB-117	Cup head square neck bolt	1	φ10xφ15x1.5
212	SB-116	zerk	1	bolt M10X1
213	SB-119	Slotted Screw	1	M5X12
214	SB-135	plain cushion	2	φ8.5xφ22x1
215	SB-136	lock nut	2	M8
216	SB-137	Hexangular Screw	4	M6X10
217	SB-138	lock nut	4	M6
219	SB-140	lock nut	2	M8
220	SB-141	lock nut	1	M6X25
221	SB-142	spring column pin	1	6X26
222	SB-143	lock nut	1	M6
223	SB-144	plain cushion	2	φ10.5Xφ25X 1
224	SB-145	hatch pin	3	φ2.9X25
225	SB-146	switch	1	
226	SB-147	lamp	1	
227	SB-148	Lamp fixed bracket	2	
228	SB-149	Cross recessed pan tapping sc.	4	ST5X25
229	SJ-023-2	tension bolt	1	same as snow crystal
230	SB-150	lock nut	1	M6
231	SB-151	hexagonal flange bolt	1	M8*40
232	SB-152	plain cushion	2	φ8.5xφ22x1.5
233	SB-153	lock nut	1	M8
234	SB-154	Cross recessed pan tapping sc.	2	ST5*12
235	SJ-200-8	chute nylon mat	4	

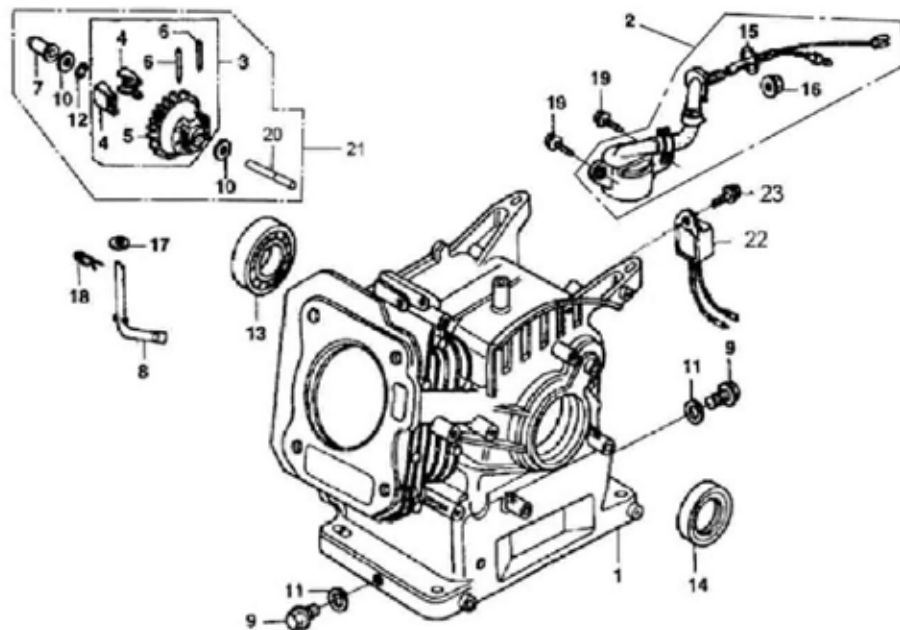
No.	Code	English Name	Unit	
236	SB-155	lock nut	2	M5
237	SJ-120	battey cover	1	
238	SB-156	hexagonal bolt	1	M6X20
239	SB-157	hexagonal screw	1	M6
240	SJ-121	battey	1	12V 9AH
241	SB-123	clip reed	1	φ19
242	SJ-261	Spring	1	
243	SJ-209B	wright Adjuster lever welding dra	1	
244	SJ-251A	adjuster welding lever	1	
245	SB-159	lock nut	1	M5
246	SJ-252	timing lever spring	1	
247	SB-160	hexagonal bolt	1	M5X35
248	SJ-253	Disc Braker	1	
249	SB-161	hexagonal column-head bolt	2	M6X12 GB/T70,1-2000
250	SB-162	hexagonal flange bolt	4	M8X35
251	SB-163	lock nut	4	M8
252	SJ-042-2A-2	handle fission 2	2	
253	SSG5580A.23-01	28 wire nip	2	same as SSG5580A
254	SJ-254	wire fixxed lock	1	
255	SB-164	handle plastic cover	2	
256	SJ-260	Disc Braker wire	1	
257	SB-165	seal	2	30*19*7
258	SJ-209-4-2	Adjusting joint rod	1	
259	SB-137	hexagonal bolt	4	M6X10
260	SB-138	lock nut	4	M6
261	SB-166	flange pan tapping screw	2	M6*12
262	SJ-200-8	chute nylon mat	2	

MOTOR LC G160FD



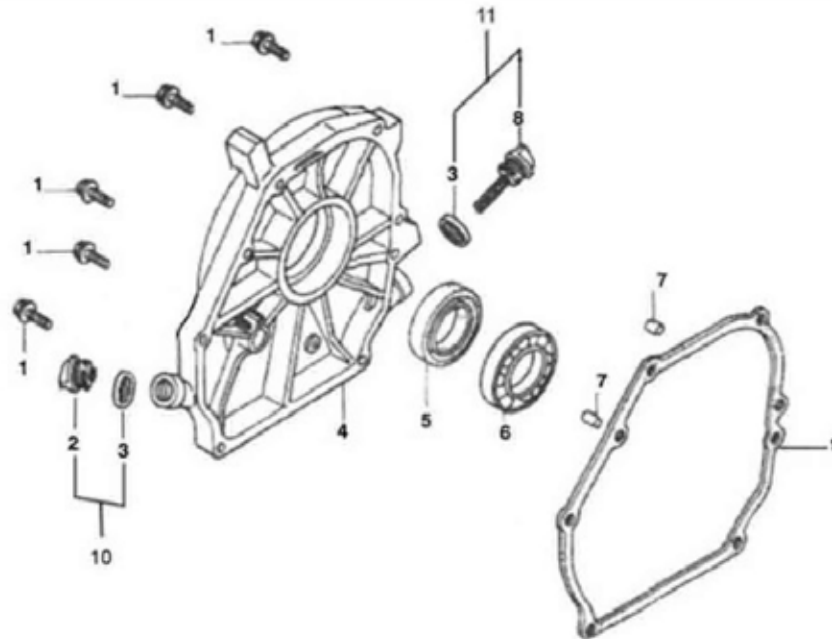
(CYLINDER HEAD)

No.	Part No.		Description	(Reqd. QTY)			
				LC168F(D)-I	LC168F(D)-II	G160F(D)	G200F(D)
1	101100-129		HEAD COMP., CYLINDER	1	-	1	-
	101100-133		HEAD COMP., CYLINDER	-	1	-	1
2	101152-129		GUIDE, IN. VALVE	1	1	1	1
3	101153-129		GUIDE, EX. VALVE	1	1	1	1
4	101154-129		CLIP, VALVE GUIDE	1	1	1	1
5	101200-129		COVER COMP., HEAD	1	1	1	1
6	101002-129		PACKING, HEAD COVER	1	1	1	1
7	112002-129		TUBE, BREATHER	1	1	1	1
8	101001-129		PLUG, SPARK	1	1	1	1
9	101003-129		GASKET, CYLINDER	1	-	1	-
	101003-133		GASKET, CYLINDER	-	1	-	1
10	113001-129		GASKET, MUFFLER	1	1	1	1
11	081202-100	φ 10 × 14	PIN, DOWEL	2	2	2	2
12	SB0614-000000DL	M6 × 14	BOLT, FLANGE, 6 × 14	4	4	4	4
13	080201-100		BOLT, FLANGE, 8 × 55	4	4	4	4



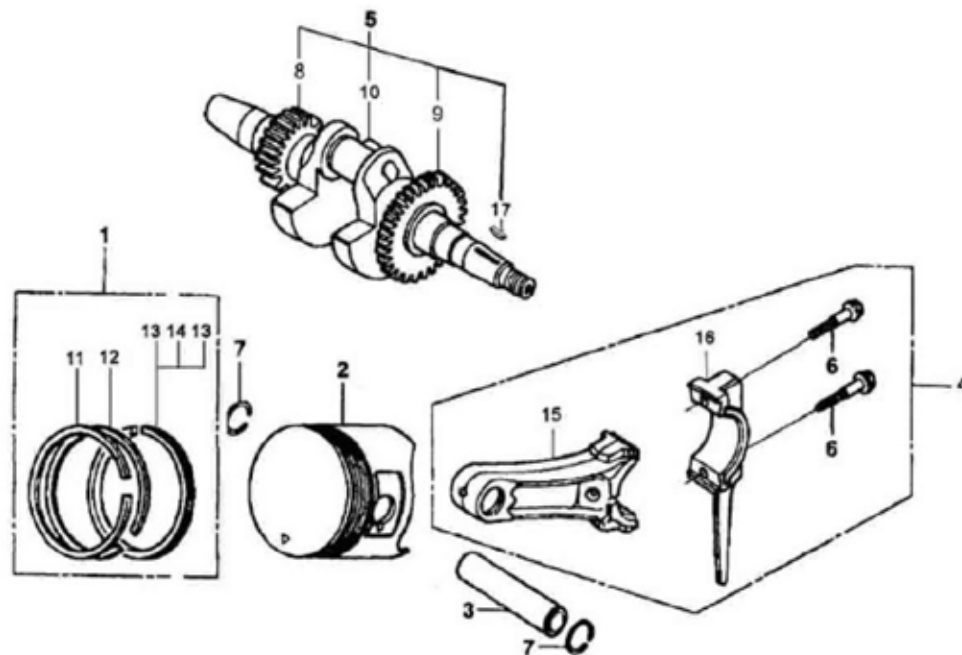
(CRANK CASE)

No.	Part No.	Description	(Reqd. QTY)			
			LC168F(D)-I	LC168F(D)-II	G160F(D)	G200F(D)
1	102100-129	CRANK CASE	1	-	1	-
	102100-133	CRANK CASE	-	1	-	1
2	102200-129	OIL LEVEL SWITCH	1	1	1	1
3	115254-129	GOVERNOR GEAR ASSY.	1	1	1	1
4	115256-129	WEIGHT, GOVERNOR	2	2	2	2
5	115255-129	GEAR, GOVERNOR	1	1	1	1
6	115257-129	PIN, GOVERNOR WEIGHT	2	2	2	2
7	115251-129	SLIDER, GOVERNOR	1	1	1	1
8	115005-129	SHAFT, GOVERNOR ARM	1	1	1	1
9	080301-100	BOLT, DRAIN PLUG	2	2	2	2
10	115258-129	WASHER, PLAIN	2	2	2	2
11	080710-100	WASHER, DRAIN PLUG	2	2	2	2
12	115252-129	CLIP, GOVERNOR HOLDER	1	1	1	1
13	081610-100000030	BEARING, RADIAL BALL	1	1	1	1
14	081118-100	25×41.25×6 OIL SEAL 25×41.25×6	1	1	1	1



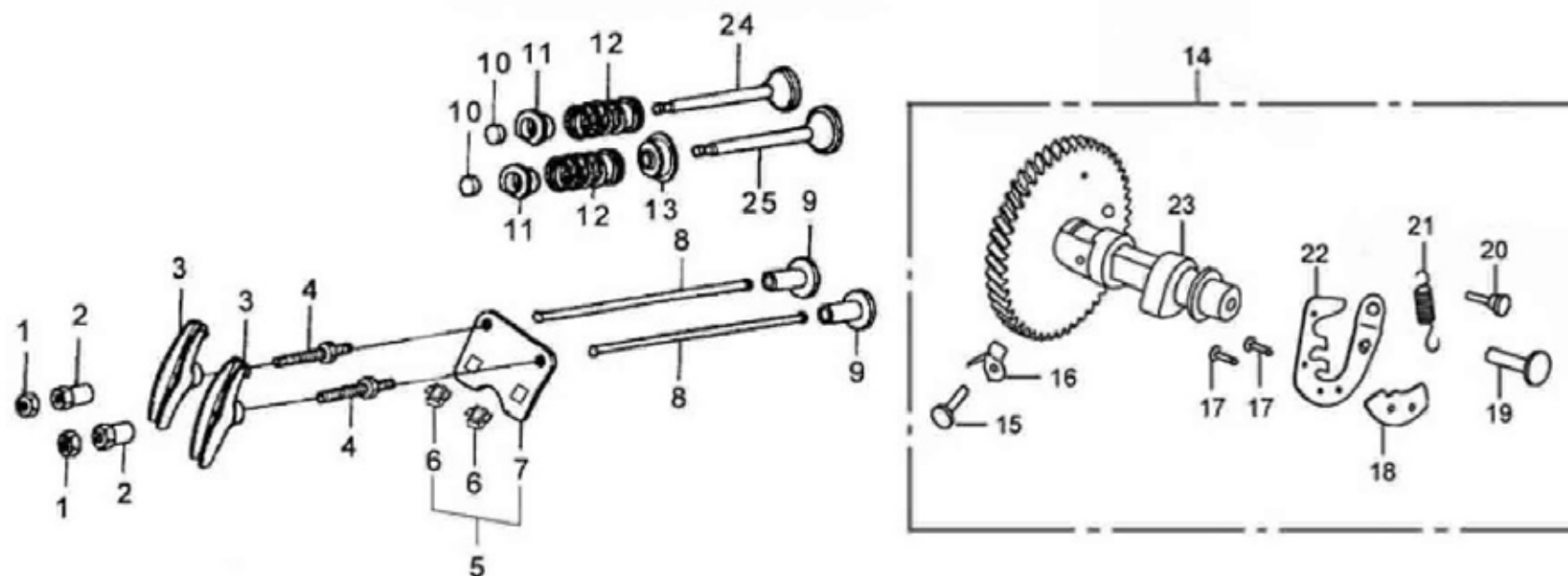
(CRANK CASE COVER)

No.	Part No.	Description	(Reqd. QTY)			
			LC168F(D)-I	LC168F(D)-II	G160F(D)	G200F(D)
1	SB0832-0000000DI.	BOLT, FLANGE	6	6	6	6
2	103251-129	OIL STICK	1	1	1	1
3	103152-129	PACKING, OIL FILLER CAP	2	2	2	2
4	103001-129	COVER	1	1	1	1
5	081118-100	OIL SEAL	1	1	1	1
6	081610-100000030	BEARING	1	1	1	1
7	081210-100	PIN, DOWEL	2	2	2	2
8	103151-129	OIL FILLER CAP	1	1	1	1
9	103002-129	PACKING, CASE COVER	1	1	1	1
10	103200-129	OIL FILLER ASSY.	1	1	1	1
11	103100-129	CAP ASSY.	1	1	1	1
12						
13						
14						
15						



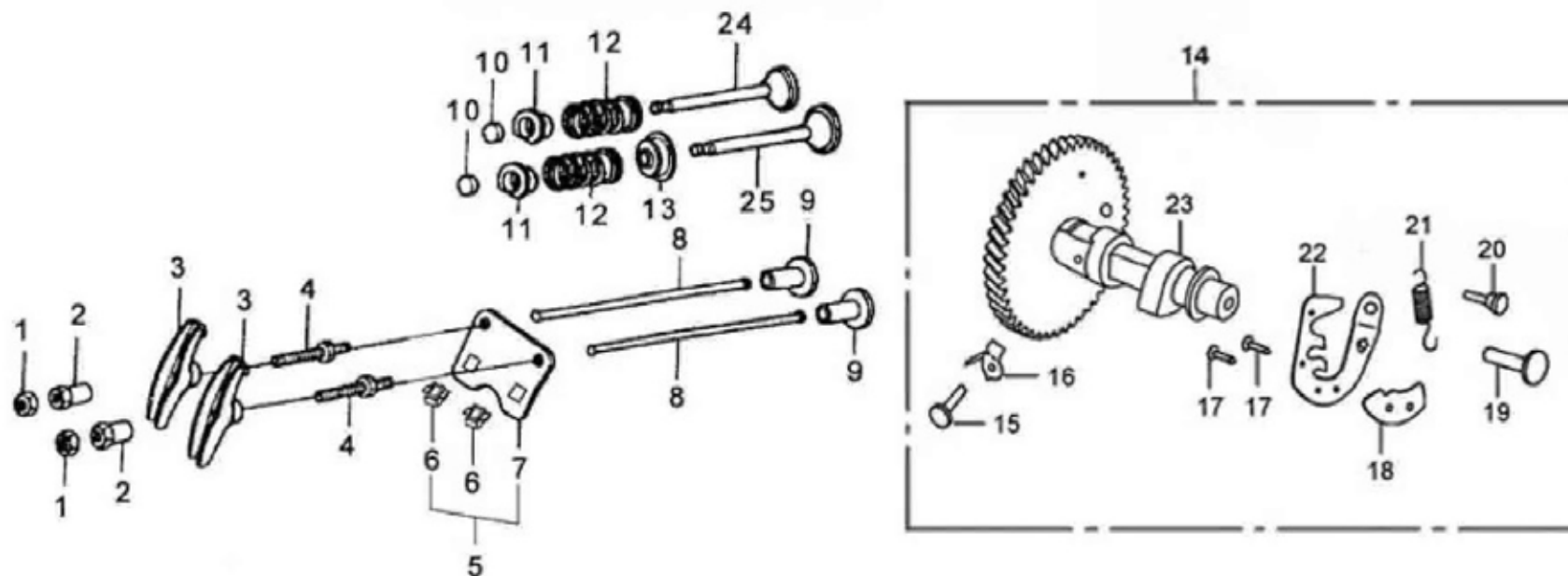
(CRANKSHAFT/P I STON)

No.	Part No.	Description	(Reqd. QTY)			
			LC168F(D)-I	LC168F(D)-II	G160F(D)	G200F(D)
1	105100-129	RING SET	1	1	1	1
2	105001-129	PISTON	1	-	1	-
	105001-133	PISTON	-	1	-	1
3	105002-129	PIN , PISTON	1	1	1	1
4	105200-129	ROD ASSY ., CONNECTING	1	1	1	1
5	104100-129	CRANKSHAFT COMP	1	-	1	-
	104100-133	CRANKSHAFT COMP	-	1	-	1
6	102253-129	BOLT , CONNECTING ROD	2	2	2	2
7	105003-129	CLIP , PISTON PIN	2	2	2	2
8	104153-129	GEAR, TIMING	1	1	1	1
9	104152-129	GEAR, CRANKSHAFT	1	1	1	1
10	104151-129	CRANKSHAFT	1	-	1	-
	104151-133	CRANKSHAFT	-	1	-	1
11	105151-129	RING , FIRST	1	1	1	1
12	105152-129	RING , SECOND	1	1	1	1



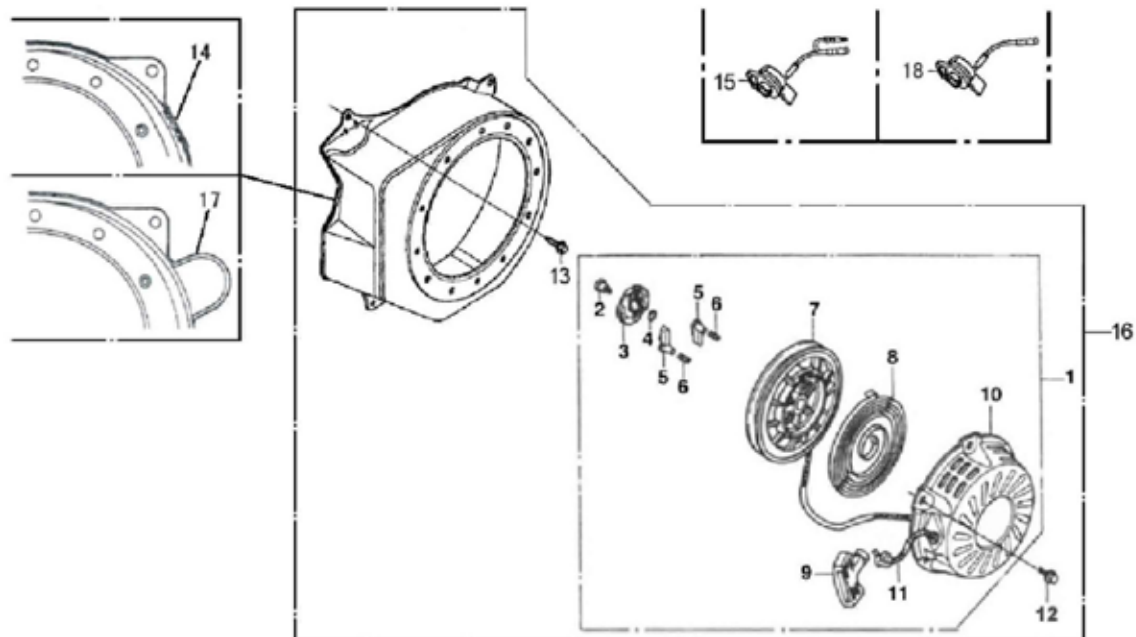
(GAS DISTRIBUTION ADJUSTMENT)

No.	Part No.	Description	(Reqd. QTY)			
			LC168F(D)-I	LC168F(D)-II	G160F(D)	G200F(D)
1	106354-129	NUT, PIVOT ADJUSTING	2	2	2	2
2	106353-129	PIVOT, ROCKER ARM	2	2	2	2
3	106351-129	ARM, VALVE ROCKER	2	2	2	2
4	106352-129	BOLT, PIVOT, ARM	2	2	2	2
5	106200-129	PLATE ASSY.,	1	1	1	1
6	106252-129	BLOCK, GUIDE	2	2	2	2
7	106251-129	PLATE, PUSH ROD GUIDE	1	1	1	1
8	106002-129	ROD, PUSH	2	2	2	2
9	106001-129	LIFTER, VALVE	2	-	2	-
	106001-133	LIFTER, VALVE	-	2	-	2
10	106008-129	RATATOR, VALVE	2	2	2	2
11	106006-129	RETAINER, VALVE SPRING	2	2	2	2
12	106005-129	SPRING, VALVE	2	2	2	2
13	106007-129	SEAL, GUIDE	1	1	1	1
14	106100-129	CAMSHAFT ASSY.	1	-	1	-



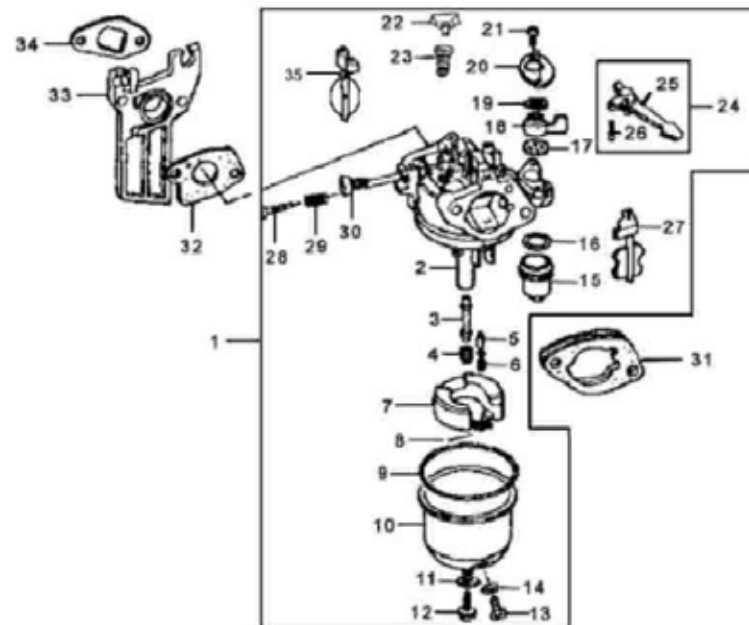
(GAS DISTRIBUTION ADJUSTMENT)

No.	Part No.	Description	(Reqd. QTY)			
			LC168F(D)-I	LC168F(D)-II	G160F(D)	G200F(D)
14	106100-133	CAMSHAFT ASSY.	-	1	-	1
15	106159-129	PIN, REDUCER	1	1	1	1
16	106158-129	REDUCER	1	1	1	1
17	106154-129	PIN, MATCHING BLOCK	2	2	2	2
18	106153-129	MATCHING BLOCK	1	1	1	1
19	106155-129	PIN, FLYING BLOCK	1	1	1	1
20	106156-129	PIN, SPRING	1	1	1	1
21	106157-129	SPRING, FLYING BLOCK	1	1	1	1
22	106152-129	FLYING BLOCK	1	1	1	1
23	106151-129	CAMSHAFT	1	-	1	-
	106151-133	CAMSHAFT	-	1	-	1
24	106004-129	VALVE, EX.	1	1	1	1
25	106003-129	VALVE, IN.	1	1	1	1



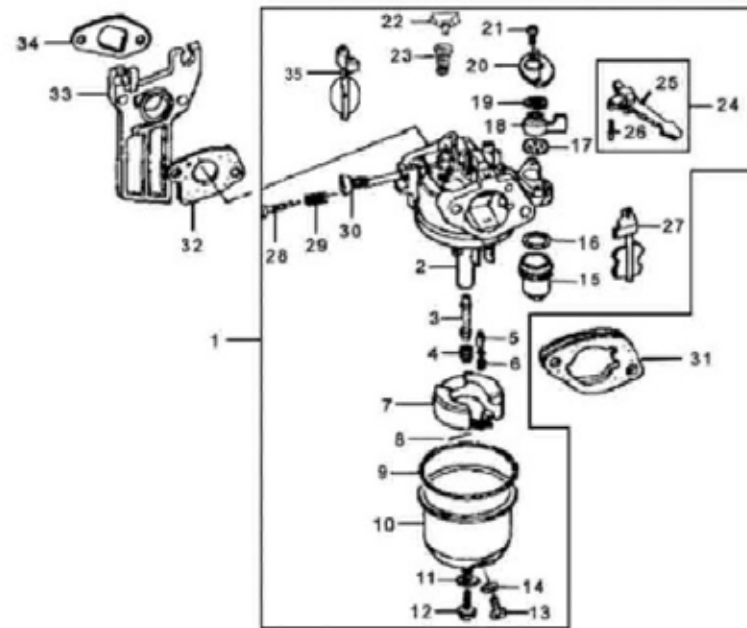
(STARTER SUBASSEMBLY)

No.	Part No.		Description	(Reqd. QTY)			
				LC168F(D)-I	LC168F(D)-II	G160F(D)	G200F(D)
1	107150-129		STARTER ASSY.	1	1	1	1
2	107160-129		SCREW , SETTING	1	1	1	1
3	107156-129		GUIDE , RATCHET	1	1	1	1
4	107157-129		SPRING , FRICTION	1	1	1	1
5	107151-129		RATCHET , STARTER	2	2	2	2
6	107158-129		SPRING , RETURN	2	2	2	2
7	107154-129		REEL , RECOIL STARTER	1	1	1	1
8	107153-129		SPRING , RECOIL STARTER	1	1	1	1
9	107152-129		KNOB , RECOIL STARTER	1	1	1	1
10	107159-129		COVER COMP ., FAN	1	1	1	1
11	107155-129		ROPE	1	1	1	1
12	SB0608-0000000DL	M6×8	BOLT , FLANGE 6×8	3	3	3	3
13	SB0610-0000000DL	M6×10	BOLT , FLANGE 6×10	4	4	4	4
14	107250-129		COVER COMP ., FAN	1	1	1	1
15	111200-129001000		SWITCH ASSY.,ENGINE STOP(OIL ALERT)	1	1	1	1



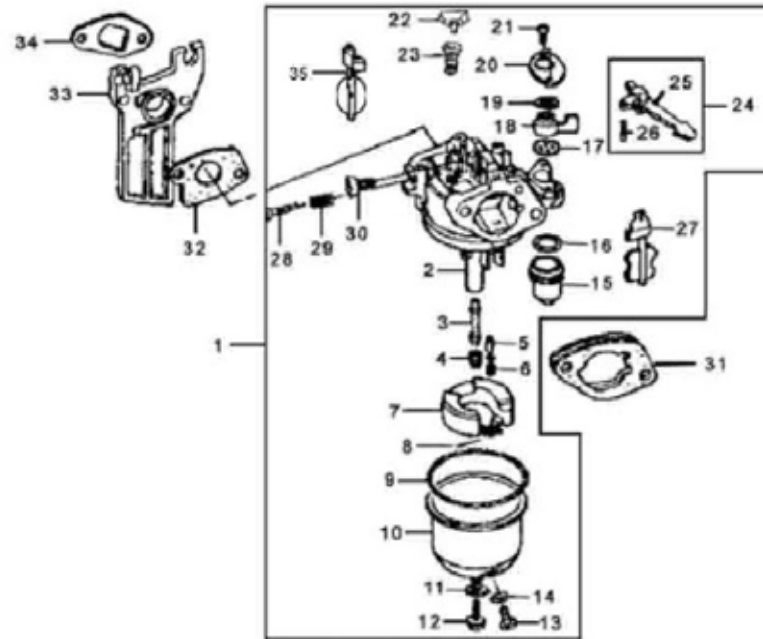
(CARBURETOR)

No.	Part No.	Description	(Reqd. QTY)			
			LC168F(D)-I	LC168F(D)-II	G160F(D)	G200F(D)
1	109100-129	CARBURETOR	1	-	1	-
	109100-133	CARBURETOR	-	1	-	1
2	109151-129	CARBURETOR'S NOUMENON	1	-	1	-
	109151-133	CARBURETOR'S NOUMENON	-	1	-	1
3	109163-129	NOZZLE , MAIN	1	-	1	-
	109163-133	NOZZLE , MAIN	-	1	-	1
4	109164-129	JET , MAIN	1	-	1	-
	109164-133	JET , MAIN	-	1	-	1
5	109158-129	VALVE , FLOAT	1	1	1	1
6	109159-129	SPRING , VALVE SET	1	1	1	1
7	109153-129	FLOAT	1	1	1	1
8	109154-129	PIN , FLOAT	1	1	1	1
9	109156-129	GASKET , OIL CUP	1	1	1	1
10	109155-129	OIL CUP	1	1	1	1
11	109179-129	GASKET , OIL CUP BOLT	1	1	1	1
12	109180-129	BOLT , OIL CUP	1	1	1	1



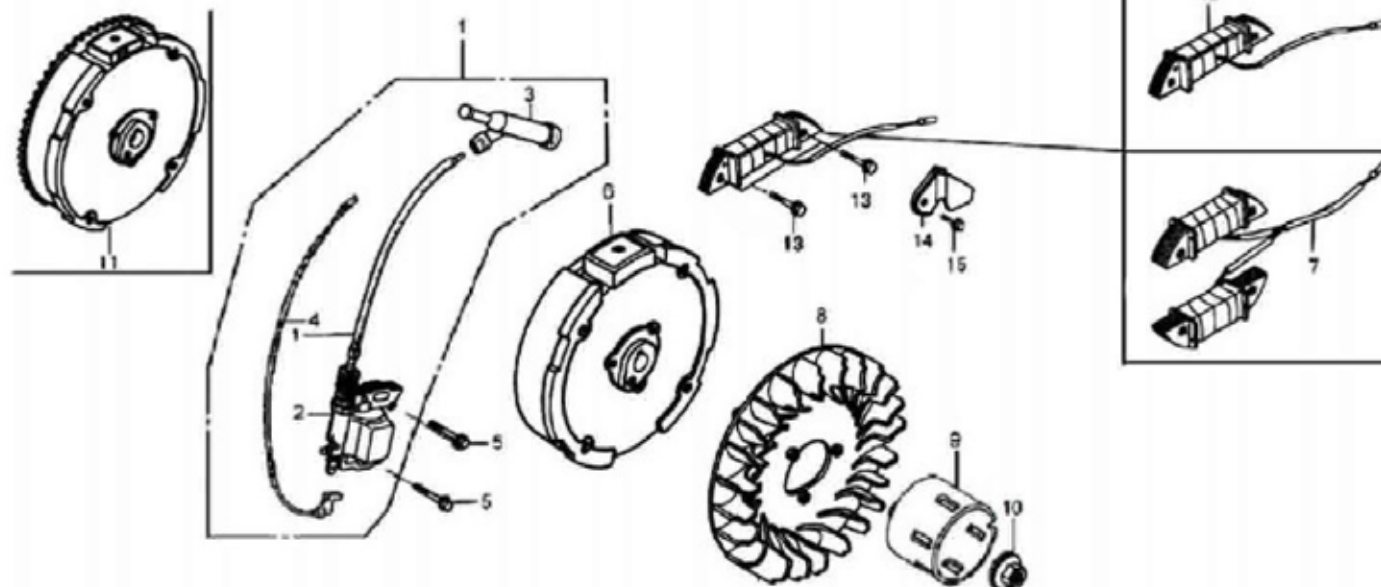
(CARBURETOR)

No.	Part No.	Description	(Reqd. QTY)			
			LC168F(1)-I	LC168F(1)-II	G160F(1)	G200F(1)
13	109182-129	DRAIN BOLT	1	1	1	1
14	109181-129	GASKET , DRAIN BOLT	1	1	1	1
15	109173-133	CUP , FUEL STRAINER	-	1	-	1
16	109184-133	PACKING , FUEL STRAINER CUP	-	1	-	1
17	109172-129	PACKING , FUEL COCK	-	1	-	1
18	109171-129	LEVER , COCK	-	1	-	1
19	109183-129	SPRING , COCK LEVER	-	1	-	1
20	109170-129	PLATE , LEVER SETTING	-	1	-	1
21	D20308	SCREW , PAN , 3x8	-	2	-	2
22	109165-129	BOTTOM SUB , JET SET	1	1	1	1
23	109162-129	JET SET , PILOT	1	1	1	1
24	109167-129	LEVER COMP.,CHOKE	1	1	1	1
25	109168-129	CHOKE LEVER	1	1	1	1
26	109169-129	PIN , CHOKE LEVER	1	1	1	1
27	109160-129	CHOKE SET	1	1	1	1



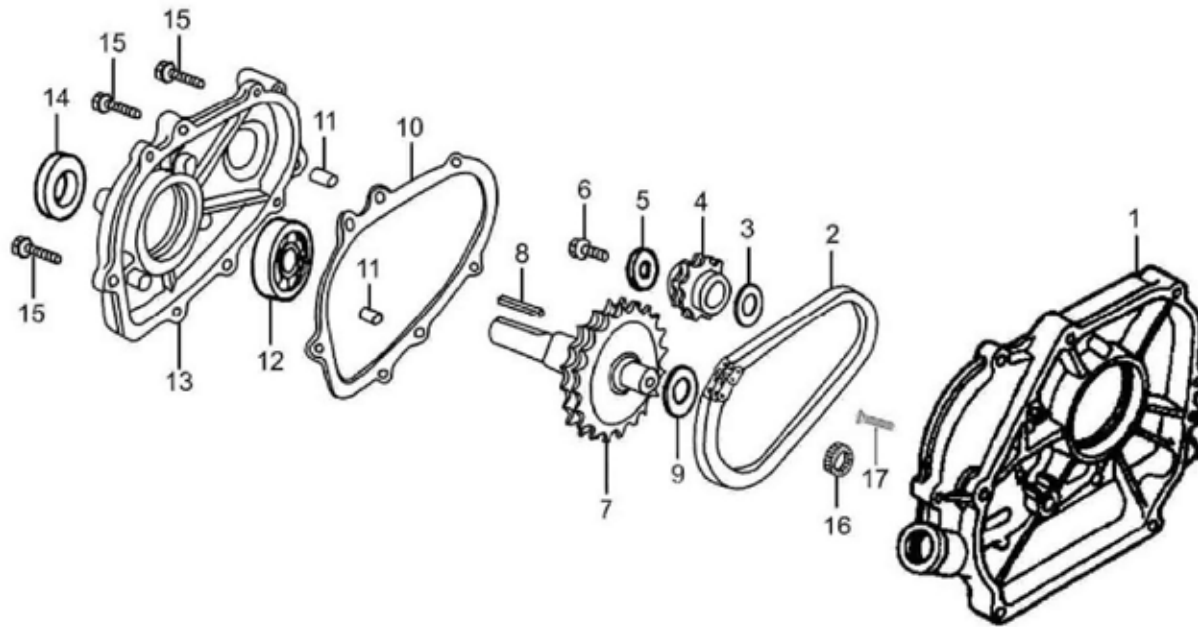
(CARBURETOR)

No.	Part No.	Description	(Reqd. QTY)			
			LC168F(D)-I	LC168F(D)-II	G160F(D)	G200F(D)
28	109176-129	SCREW	1	1	1	1
29	109175-129	SPRING , SCREW	1	1	1	1
30	109177-129	SCREW , THROTTLE STOP	1	1	1	1
31	112001-129	SPACER COMP , AIR CLEANER	1	1	1	1
32	109003-129	PACKING , CARBURETOR	1	1	1	1
33	109002-129	INSULATOR , CARBURETOR	1	1	1	1
34	109001-129	PACKING , INSULATOR	1	1	1	1
35	109161-129	THROTTLE VALVE	1	-	1	-
	109161-133	THROTTLE VALVE	-	1	-	1



(FLYWHEEL/COIL ASSY.)

No.	Part No.		Description	(Reqd. QTY)			
				LC168P(D)-H	LC168P(D)-H	G160P(D)	G200P(D)
1	111100-129		COIL ASSY., IGNITION	1	1	1	1
2	111151-129		COIL, IGNITION	2	2	2	2
3	111152-129		CAP ASSY., NOISE SUPPRESS	1	1	1	1
4	111153-129		CORD, STOP SWITCH	1	1	1	1
5	SB0630-0000000DL	M6×30	BOLT, FLANGE, 6/30	2	2	2	2
6	110100-129		FLYWHEEL COMP	1	1	1	1
7	111300-1562		COIL ASSY., CHARGE	(1)	(1)	(1)	(1)
8	110001-129		FAN, COOLING	1	1	1	1
9	110002-129		PULLEY, STARTER	1	1	1	1
10	080801-100		NUT, SPECIAL	1	1	1	1
11	110100-136		FLYWHEEL COMP	(1)	(1)	(1)	(1)
12	111300-1561		COIL ASSY., CHARGE	(1)	(1)	(1)	(1)
13	SB0635-0000000DL		BOLT, FLANGE, 6/35	2	2	2	2
14	111002-136		CLAMPER, CORD	(1)	(1)	(1)	(1)
15	SI0608-0000000DL	M6×8	BOLT, FLANGE, 6/8	(1)	(1)	(1)	(1)



(RETARDER)

No.	Part No.		Description	(Reqd. QTY)			
				LC168F(D)-IC	LC168F(D)-HC	G160F(D)-C	G200F(D)-C
1	103001-131		COVER	1	1	1	1
2	121100-131	(34)	CHAIN	1	1	1	1
3	080726-100	20.5×39×3.1	WASHER	1	1	1	1
4	121501-131		CHAIN WHEEL	1	1	1	1
5	080708-100	8.5×23×3	WASHER	1	1	1	1
6	S90830	M8×34	BOLT 8×30	1	1	1	1
7	121502-131		OUTPUT SHAFT	1	1	1	1
8	081703-100		KEY	1	1	1	1
9	080725-100	20×30×0.3	WASHER	1	1	1	1
10	121003-131		PACKING	1	1	1	1
11	081210-100	φ8×14	PIN	1	1	1	1
12	081610-100000030	6205	BEARING , RADTAL. BALL	1	1	1	1
13	121002-131		COVER	1	1	1	1
14	081111-100	25×41.25×5	OIL SEAL	1	1	1	1
15	SA0624-0000000DL	M6×24	BOLT 6×24	5	5	5	5

