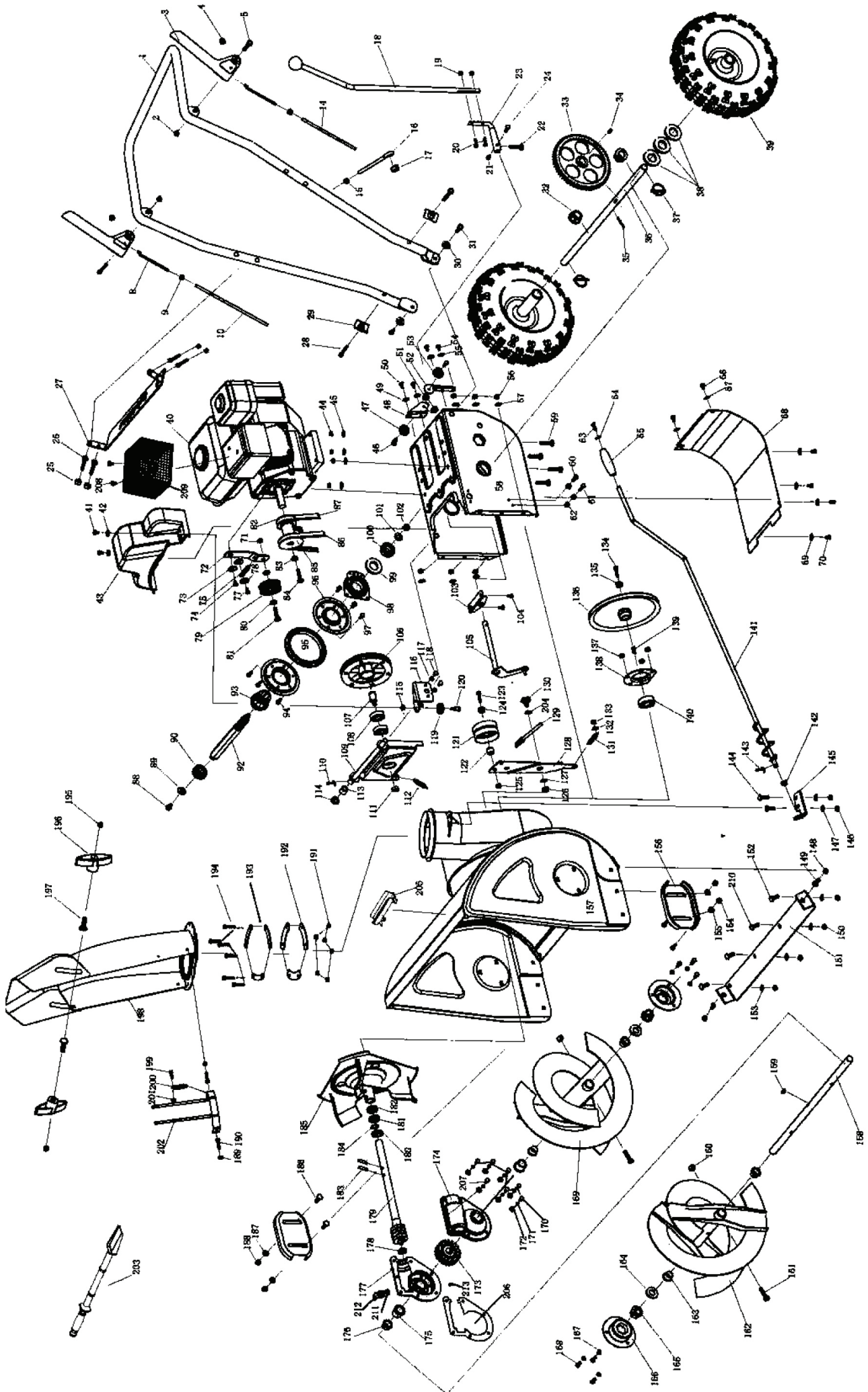


# HECHT® 9651

made for garden

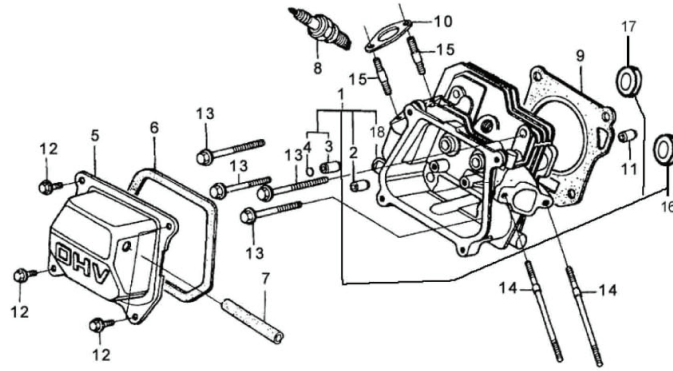


<b>NO.</b>	<b>Code</b>	<b>English Name</b>	<b>Název</b>	<b>quantity</b>	<b>model</b>
1	SJ-042	SJ Iron Stick	madlo	2	
2	SB-01	SJ Handrail kit	matice M8	1set	M8
3	SJ-110	Lock nut	páka ovládání	2	
4	SJ-047	SJ Handle	podložka	2	
5	SB-02	SJ Rubber Cap	šroub	2	M8X45 GB5780-86
8	SJ-032B	Hexagonal Screw	táhlo lanka	2	
9	SB-04	nut	matice M5	2	M5
10	SJ-032	SJ Iron Stick 1	bowden pojezdu	1set	
14	SJ-033	SJ Iron Stick 2	bowden šneku	1set	
15	SB-07	nut	matice M8	1	M8
16	SJ-044B	SJ Crank	táhlo	1	
17	SJ-044C	SJ Rubber Circle	pouzdro	1	
18	SJ-068A	SJ control arm	ovládání rychlostí	1	
19	SB-08	Lock nut	matice M6	2	M6
20	SB-09	Hexagonal Screw	šroub	2	M6X20 GB5780-86
21	SB-10	Lock nut	matice M6	1	M6
22	SB-11	Hexagonal Screw	šroub	1	M6X20
23	SJ-068B	SJ joystick plate	držák páky	1	
24	SB-12	Hexagonal Screw	šroub	1	M6X25 GB5780-86
25	SB-13	nut	matice	4	M6
26	SB-14	Hexagonal Screw	šroub	4	M6X35 GB5780-86
27	SJ-109	SJ Limit Frame	nosník	1	
28	SB-15	Hexagonal Screw		1	M8X40 GB5780-86
29	SJ-028	SJ Handle Washer	podložka	2	
30	SB-16	Plain cushion	podložka	2	φ8.5*φ22*1.8
31	SB-17	Hexagonal Screw	šroub	2	M8X20 GB5780-86
32	SJ-026	SJ head shaft sleeve	pouzdro	2	
33	SJ-003	SJ Gear	řemenice	1	
34	SB-18	Semicircular key	klínek	25×7.5×19	GB1099-79
35	SB-19	Pin	čep	135×φ4	GB879-86
36	SJ-017	SJ Drive Bearing	osa kol	1	
37	SJ-066	SJ Spring Pin	pojistka kola	2	
38	SB-20	Plain cushion	podložky	4	φ19.5*φ38*1.5
39	SB-21	Tyre	kolo	24.10-6	
40	SJ-134	Gasoline Engine	motor	1	168
41	SB-22	Hexagonal Screw	šroub	2	M6X10 GB5780-86
42	SB-23	Plain cushion	podložka	2	φ6.5*φ11.5*1.5
43	SJ-031	SJ Pulley Cover	kryt	1	
44	SB-24	Lock nut	matice M8	4	M8
45	SB-25	Plain cushion	podložka	4	φ8.5*φ16*1.5
46	SJ-052	Hexagonal Screw	šroub	2	
47	SJ-016B	SJ wire pulley	kladka lanka	2	
48	SJ-016A	SJ pulley subpanel 1	držák	1	
49	SB-26	Plain cushion	podložka	2	φ6.5*φ12*0.75
50	SB-27	Hexagonal Screw	šroub	2	M6X12 GB5780-86
51	SB-28	Lock nut	matice M6	2	M6
52	SJ-014	SJ pulley subpanel 3	táhlo	1	
53	SJ-016B	SJ wire pulley	kladka lanka	2	
54	SB-29	Hexagonal Screw	šroub	2	M6X12 GB5780-86
55	SB-30	Plain cushion	podložka	2	φ6.5*φ12*0.75
56	SB-31	Lock nut	matice M8	6	M8
57	SB-32	Plain cushion	podložka	6	φ8.5*φ16*1.5
58	SJ-103	SJ Gearbox Cover	šasi	1	
59	SB-33	Hexagonal Screw	šroub	4	M8X35 GB5780-86
60	SB-34	Hexagonal Screw	šroub	1	M6X30

<b>NO.</b>	<b>Code</b>	<b>English Name</b>	<b>Název</b>	<b>quantity</b>	<b>model</b>
61	SB-35	Hexagonal Screw	šroub	1	M6X20
62	SB-36	Lock nut	matice M6	3	M6
63	SB-37	Cross bolt	šroub	1	M6X10 GB5780-86
64	SB-38	Plain cushion	podložka	1	φ6.5*φ18*1.5
65	SJ-018	SJ Handle Sleeve	madlo ovládní	1	
66	SB-39	Hexagonal Screw	šroub	2	M6X10 GB5780-86
67	SB-40	Plain cushion	podložka	1	φ6.5*φ12*0.5
68	SJ-102	SJ Gearbox Cover	kryt variátoru spodní	1	
69	SB-41	Plain cushion	podložka	4	φ6 GB95-85
70	SB-42	Hexagonal Screw	šroub	4	M6X10 GB5780-86
71	SB-43	Lock nut	matice M8	1	M8
72	SJ-045	SJ Tension Plate	páka	1	
73	SJ-046	Tension convex washer	podložka	1	
74	SB-44	Hexagonal Screw	šroub	1	M8X20 GB5780-86
75	SJ-035	SJ Spring 3	podložka	1	
77	SB-45	Hexagonal Screw	šroub M8*10	1	M8X10
78	SB-46	Plain cushion	podložka	2	φ8.5*φ15.5*1.5
79	SJ-025	SJ Tension pulley (+Bearing)			řemenice napínáku 1set
80	SJ-008C	SJ Pallet	pouzdro	2	
81	SB-48	Hexagonal Screw	šroub	1	M8X30 GB5780-86
82	SJ-049	Man Synchronization Wheel	řemenice	1	
83	SB-49	Plain cushion	podložka	1	φ8.5*φ27.5*3
84	SB-50	Hexagonal Screw	šroub	1	M8X25 GB5780-86
85	SJ-049B	SJ Main pulley	řemenice	1	
86	SB-51	V-belt	klínový řemen	1	Z895 GB11544-89
87	SB-52	Synchronization Belt	řemen plochý	15M	150□□□15mm
88	SB-53	Hexagonal Screw	šroub	1	M8×16 GB5781-86
89	SB-54	Plain cushion	podložka	3	φ8.5*φ28*2
90	SB-55	Bearing	ložisko	1203	GB277-82
92	SJ-005	SJ Hexagon	hřídél	1	
93	SJ-013C	SJ Change pulley	náboj řemenice	1	
94	SB-57	Hexagonal Screw	šroub	3	M6X12 GB5780-86
95	SJ-013D	SJ Change pulley Circle	gumový kroužek	1	
96	SJ-013A	SJ Change pulley washer	1/2 řemenice	2	
97	SB-58	Hexagonal Screw	šroub	3	M6X12 GB5780-86
98	SJ-013B	SJ Change pulley cover	domeček ložiska	2	
99	SB-59	Snap Spring	pojistný kroužek	1	φ35
100	SB-60	Deep slot bearing	ložisko	1203	GB278-82
101	SB-61	Plain cushion	podložka	1	φ10.5*φ28*2
102	SB-62	nut	matice M10	1	M10 GB6170-86
103	SJ-002	SJ Orthogonal Iron	držák	1	
104	SB-63	Hexagonal Screw		2	M6X10 GB5780-86
105	SJ-040	SJ Gearlever	páka	1	set
106	SJ-010A	Drive Synchronization Wheel			kolo pohonu 1
107	SJ-010B	SJ Driving bearing	čep kola pohonu	1	
108	SB-64	Deep slot bearing	ložisko	2203	GB278-82
109	SJ-007	SJ Pulley bracket	víko	1	set
110	SB-65	Pin	čep	1	35×φ2.5 GB879-86
111	SB-66	Lock nut	matice M10	1	M10
112	SJ-069	Spring 6	pružina D.6	1	
113	SJ-107	SJ Separate Sleeve	pouzdro	1	
114	SB-67	Plain cushion	podložka	1	φ13*φ24*2
115	SB-68	Lock nut	matice M6	1	M6
116	SJ-015	SJ Pulley subpanel 2	držák	1	
117	SB-69	Plain cushion	podložka	2	φ6.5*φ12*0.75

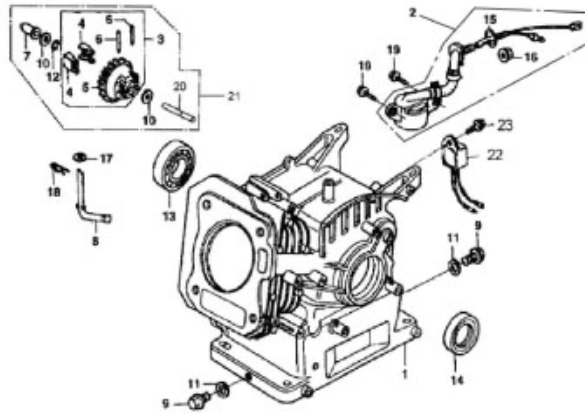
<b>NO.</b>	<b>Code</b>	<b>English Name</b>	<b>Název</b>	<b>quantity</b>	<b>model</b>
118	SB-70	Hexagonal Screw	šroub	2	M6X10 GB5780-86
119	SJ-016B	SJ wire pulley	kladka bowdenu	1	
120	SJ-052	Hexagonal Screw	šroub	1	
121	SJ-008	SJ Tension pulley 2(+Bearing)		řemenice napínačku	1set
122	SJ-008B	SJ Washer	podložka	1	
123	SB-71	Hexagonal Screw	šroub	1	M8X45 GB5780-86
124	SJ-008C	SJ Pallet	pouzdro	1	
125	SB-72	Lock nut	matice M8	1	M8
126	SB-73	Lock nut	Matice M10	1	M10
127	SB-74	Plain cushion	podložka	1	φ10.5*φ20*2
128	SJ-023	SJ Dead plate	držák	1	
129	SJ-032A	Spring 1	pružina napínačku	1	
130	SJ-050	SJ Hexangular Screw 1	šroub	1	
131	SJ-037	Spring 5	pružina	1	
132	SB-75	Plain cushion	podložka	1	φ8.5*φ16*1.5
133	SB-76	Lock nut	matice M8	1	M8
134	SB-77	Hexagonal Screw	šroub	1	M8X20 GB5780-86
135	SB-78	Plain cushion	podložka	1	φ8.5*φ28*2
136	SJ-039	SJ Pulley	řemenice	1	
137	SB-79	Lock nut	matice M8	1	M8
138	SJ-004	SJ Rockered Cover	domeček ložiska	1	
139	SB-80	Square Key	klínek	1	16×6×15 GB1099-79
140	SB-81	Bearing	ložisko	1	204 GB3882-87
141	SJ-044A	SJ Handle	ovládání výhozu	1	
142	SJ-011A	SJ subpanel plastic circle	podložka	1	
143	SB-82	Pin	čep	1	35×φ2.5 GB879-86
144	SB-83	Step bolt	šroub	4	M8×20 GB12-88
145	SJ-011	SJ Subpanel	držák	1	
146	SB-84	Lock nut	matice M8	2	M8
147	SB-85	Plain cushion	podložka	1	φ8.5*φ22*2
148	SB-86	Lock nut	matice M8	2	M8
149	SB-87	Step bolt	šroub	2	M8×16 GB12-88
150	SB-88	Lock nut	Matice M8	4	M8
151	SJ-006	SJ Shave Plate	škrabka	1	
152	SB-89	Step bolt	šroub	4	M8×18 GB12-88
153	SB-90	Plain cushion	podložka	4	φ8.5*φ22*2
154	SB-91	Lock nut	matice M8	2	M8
155	SB-92	Plain cushion	podložka	2	φ8.5*φ22*2
156	SJ-111	SJ Sliding Stick	kluzák	2	
157	SJ-104	SJ Steel Cover	skříň náběru	1	set
158	SJ-022	SJ Output Shaft	hřídel šneku	1	
159	SB-93	Woodruff Key	woodruffovo pero	1	15×7.5×19 GB1099-79
160	SB-94	Lock nut	pojistná matice	2	M8
161	SJ-070	Not-Standard Screw	pojistný šroub	2	M8X38
162	SJ-067A	SJ Left Auger	šnek frézy levý	1	
163	SJ-019	SJ Drive Shaft Sheath	pouzdro	1	
164	SB-96	Plain cushion	podložka	2	φ19.5*φ38*1.5
165	SJ-020	SJ Shaft Sheath	pouzdro	2	
166	SJ-024	SJ Bearing Cover	domeček ložiska	2	
167	SB-97	Plain cushion	podložka	6	φ8.5*φ15*1.5
168	SB-98	Hexagonal Screw	šroub	6	M8X10 GB5780-86
169	SJ-067	SJ Right Auger	pravá polovina šneku frézy	1	
170	SB-99	Hexangular Screw	šroub	7	M6×20 GB5781-86
171	SB-100	Spring Washer	podložka	7	φ6.5*φ9*1.5

<b>NO.</b>	<b>Code</b>	<b>English Name</b>	<b>Název</b>	<b>quantity</b>	<b>model</b>
172	SB-101	Plain cushion	podložka	7	φ6.5*φ12*0.5
173	SJ-038	SJ Worm Wheel	převodové kolo	1	
174	SJ-101	SJ Upper Pedestal	levá polovina skříně převodu	1	
175	SJ-108	SJ Shaft Sheath	pouzdro	1	
176	SJ-019	SJ Drive Shaft Sheath	pouzdro	3	
177	SJ-101A	SJ Pedestal	pravá polovina skříně převodu	1	
178	SB-102	Deep slot bearing	ložisko	1	101 GB276-82
179	SJ-030	SJ Drive Worm shaft	hřídel pohonu šneku	1	
180	SB-103	Deep slot bearing	ložisko	1	904 GB276-82
181	SB-104	One direction thrust bearing	ložisko	1	8104 GB301-84
182	SB-105	Oil Seal	těsnění	1	
183	SB-106	Pin	čep hřídele	2	30×φ6 GB879-86
184	SJ-057	Washer	podložka	1	
185	SJ-001	SJ Fan	lopatkové kolo	1	set
186	SB-107	Step bolt	šroub	2	M8×18 GB12-88
187	SB-108	Plain cushion	podložka	2	φ8.5*φ22*2
188	SB-109	Lock nut	matice M8	2	M8
189	SB-110	Lock nut	matice M6	2	M6
190	SB-111	Hexagonal Screw	šroub	2	M6X16 GB5780-86
191	SB-112	Lock nut	matice M6	6	M6
192	SJ-021	Chute Bead	podložka	3	
193	SJ-021C	Chute Gasket	podložka	3	φ5xφ10
194	SB-113	Hexagonal Screw	šroub	6	M6X16
195	SB-114	Lock nut	matice M8	2	M8
196	SJ-138	handle	křídlová matice	2	
197	SB-115	Step bolt	šroub	2	M8×25 GB12-88
198	SJ-140	Chute	komín výhozu	1	set
199	SB-116	Hexagonal Screw	šroub	1	M6X20
200	SJ-036	Spring 4	pružina	1	
201	SB-117	Lock nut	matice M6	1	M6
202	SJ-012	SJ Discharge Chute Accessories			držák usměrňovače 1set
203	SJ-150	plastic shovel	lopatka na čišění	1	
204	SB-118	Plain cushion	podložka	1	φ16.5xφ30
205	SJ-151	shovel pedestal	držák lopatky	1	
206	SJ-113	paper pedestal		1	
207	SB-119	Hexagonal nut	šroub	1	M6X25
208	SB-120	flange screw	šroub	2	M5X20
209	SJ-130	insulation cover	kryt výfuku	1	
210	SB-121	Step bolt	šroub	2	M8×16 GB12-88
211	SB-122	light shelf		1	
212	SB-123	refuelling noz		1	□□M10X1
213	SB-124	straight bolt		1	M5



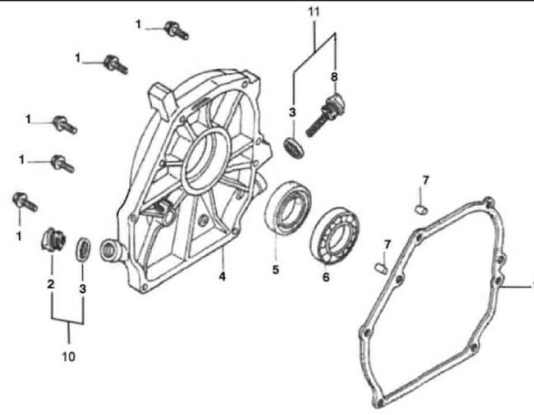
(CYLINDER HEAD)

No.	Part No.	Description	(Reqd. QTY)			
			LC168F(D)-I	LC168F(D)-II	G160F(D)	G200F(D)
1	101100-129	HEAD COMP.,CYLINDER	1	-	1	-
	101100-133	HEAD COMP.,CYLINDER	-	1	-	1
2	101152-129	GUIDE, IN. VALVE	1	1	1	1
3	101153-129	GUIDE, EX. VALVE	1	1	1	1
4	101154-129	CLIP, VALVE GUIDE	1	1	1	1
5	101200-129	COVER COMP., HEAD	1	1	1	1
6	101002-129	PACKING, HEAD COVER	1	1	1	1
7	112002-129	TUBE, BREATHER	1	1	1	1
8	101001-129	PLUG, SPARK	1	1	1	1
9	101003-129	GASKET, CYLINDER	1	-	1	-
	101003-133	GASKET, CYLINDER	-	1	-	1
10	113001-129	GASKET, MUFFLER	1	1	1	1
11	081202-100	PIN, DOWEL	2	2	2	2
12	SB0614-0000000DL	BOLT, FLANGE, 6×14	4	4	4	4
13	080201-100	BOLT, FLANGE, 8×55	4	4	4	4
14	080503-100	BOLT, STUD, IN.	2	2	2	2
15	080508-100	BOLT, STUD, EX.	2	2	2	2
16	101155-129	VALVE SEAT, IN.	1	1	1	1
17	101156-129	VALVE SEAT, EX.	1	1	1	1
18	101151-129	NOUMENON, CYLINDER HEAD	1	-	1	-
	101151-133	NOUMENON, CYLINDER HEAD	-	1	-	1



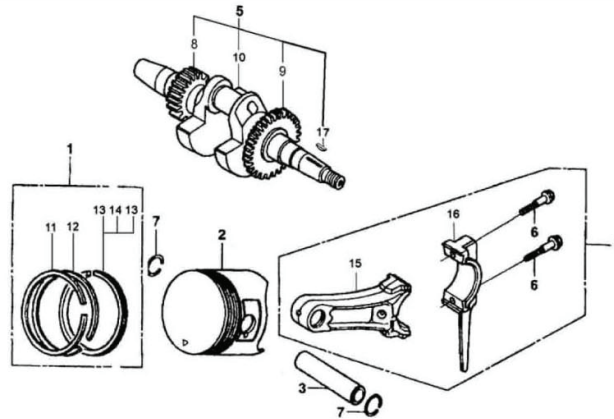
(CRANK CASE)

No.	Part No.	Description	(Reqd. QTY)			
			LC168F(D)-I	LC168F(D)-II	G160F(D)	G200F(D)
1	102100-129	CRANK CASE	1	-	1	-
	102100-133	CRANK CASE	-	1	-	1
2	102200-129	OIL LEVEL SWITCH	1	1	1	1
3	115254-129	GOVERNOR GEAR ASSY.	1	1	1	1
4	115256-129	WEIGHT, GOVERNOR	2	2	2	2
5	115255-129	GEAR, GOVERNOR	1	1	1	1
6	115257-129	PIN, GOVERNOR WEIGHT	2	2	2	2
7	115251-129	SLIDER, GOVERNOR	1	1	1	1
8	115005-129	SHAFT, GOVERNOR ARM	1	1	1	1
9	080301-100	BOLT, DRAIN PLUG	2	2	2	2
10	115258-129	WASHER, PLAIN	2	2	2	2
11	080710-100	WASHER, DRAIN PLUG	2	2	2	2
12	115252-129	CLIP, GOVERNOR HOLDER	1	1	1	1
13	081610-10000030	BEARING, RADIAL BALL	1	1	1	1
14	081118-100	OIL SEAL 25*41.25*6	1	1	1	1
15	102251-129	O-RING	1	1	1	1
16	M81000	NUT 10mm	1	1	1	1
17	080703-100	WASHER	1	1	1	1
18	115007-129	PIN, LOCK	1	1	1	1
19	SB0612	BOLT, FLANGE, 6*12	3	3	3	3
20	115253-129	SHAFT, GOVERNOR	1	1	1	1
21	115200-129	GOVERNOR ASSY.	1	1	1	1
22	102300-129	ALART UNIT OIL	1	1	1	1



**(CRANK CASE COVER)**

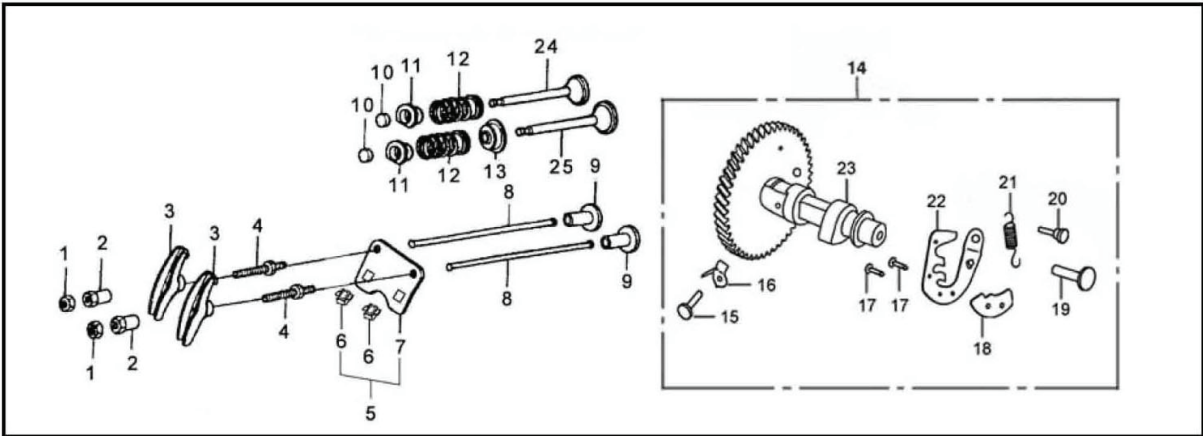
No.	Part No.	Description	(Reqd. QTY)			
			LC168F(D)-I	LC168F(D)-II	G160F(D)	G200F(D)
1	SB0832-000000DL	BOLT , FLANGE	6	6	6	6
2	103251-129	OIL STICK	1	1	1	1
3	103152-129	PACKING , OIL FILLER CAP	2	2	2	2
4	103001-129	COVER	1	1	1	1
5	081118-100	OIL SEAL	1	1	1	1
6	081610-100000030	BEARING	1	1	1	1
7	081210-100	PIN , DOWEL	2	2	2	2
8	103151-129	OIL FILLER CAP	1	1	1	1
9	103002-129	PACKING , CASE COVER	1	1	1	1
10	103200-129	OIL FILLER ASSY.	1	1	1	1
11	103100-129	CAP ASSY.	1	1	1	1
12						
13						
14						
15						



**(CRANKSHAFT/PISTON)**

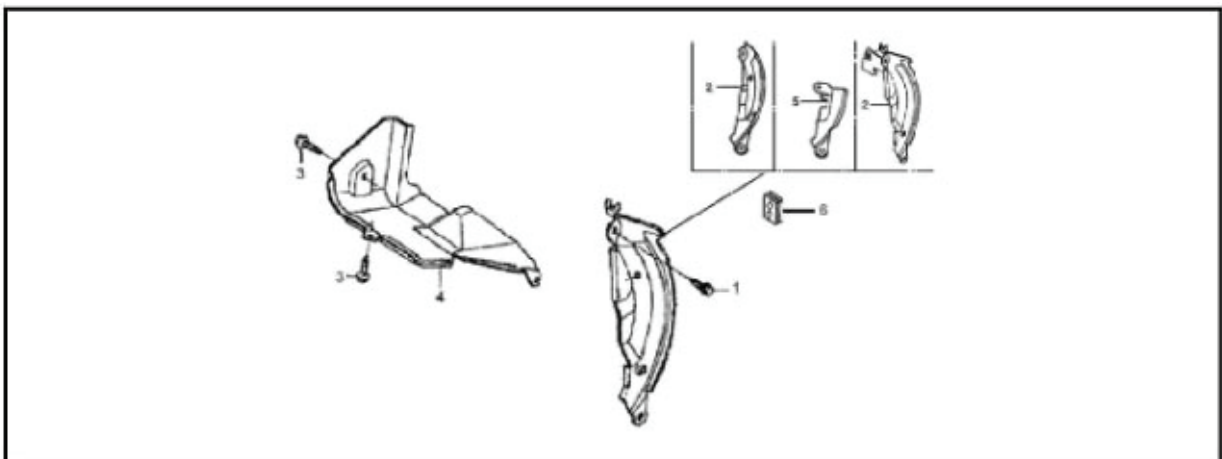
No.	Part No.	Description	(Reqd. QTY)			
			LC168F(D)-I	LC168F(D)-II	G160F(D)	G200F(D)
1	105100-129	RING SET	1	1	1	1
2	105001-129	PISTON	1	-	1	-
	105001-133	PISTON	-	1	-	1
3	105002-129	PIN , PISTON	1	1	1	1
4	105200-129	ROD ASSY ., CONNECTING	1	1	1	1
5	104100-129	CRANKSHAFT COMP	1	-	1	-
	104100-133	CRANKSHAFT COMP	-	1	-	1
6	102253-129	BOLT , CONNECTING ROD	2	2	2	2
7	105003-129	CLIP , PISTON PIN	2	2	2	2
8	104153-129	GEAR , TIMING	1	1	1	1
9	104152-129	GEAR , CRANKSHAFT	1	1	1	1
10	104151-129	CRANKSHAFT	1	-	1	-
	104151-133	CRANKSHAFT	-	1	-	1
11	105151-129	RING , FIRST	1	1	1	1
12	105152-129	RING , SECOND	1	1	1	1
13	105154-129	OIL RING ,	2	2	2	2
14	105155-129	BUSHING RING ,	1	1	1	1
15	105251-129	CONNECTING ROD	1	1	1	1
16	105252-129	CONNECTING ROD COVER	1	1	1	1
17	104157-129	KEY , SPECIAL WOODRUFF	1	1	1	1





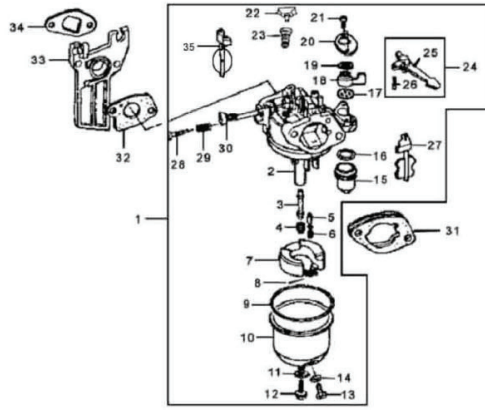
**(GAS DISTRIBUTION ADJUSTMENT)**

No.	Part No.	Description	(Reqd. QTY)			
			LC168F(D)-I	LC168F(D)-II	G160F(D)	G200F(D)
1	106354-129	NUT, PIVOT ADJUSTING	2	2	2	2
2	106353-129	PIVOT, ROCKER ARM	2	2	2	2
3	106351-129	ARM, VALVE ROCKER	2	2	2	2
4	106352-129	BOLT, PIVOT, ARM	2	2	2	2
5	106200-129	PLATE ASSY.	1	1	1	1
6	106252-129	BLOCK, GUIDE	2	2	2	2
7	106251-129	PLATE, PUSH ROD GUIDE	1	1	1	1
8	106002-129	ROD, PUSH	2	2	2	2
9	106001-129	LIFTER, VALVE	2	-	2	-
	106001-133	LIFTER, VALVE	-	2	-	2
10	106008-129	RATATOR, VALVE	2	2	2	2
11	106006-129	RETAINER, VALVE SPRING	2	2	2	2
12	106005-129	SPRING, VALVE	2	2	2	2
13	106007-129	SEAL, GUIDE	1	1	1	1
14	106100-133	CAMSHAFT ASSY.	-	1	-	1
15	106159-129	PIN, REDUCER	1	1	1	1
16	106158-129	REDUCER	1	1	1	1
17	106154-129	PIN, MATCHING BLOCK	2	2	2	2
18	106153-129	MATCHING BLOCK	1	1	1	1
19	106155-129	PIN, FLYING BLOCK	1	1	1	1
20	106156-129	PIN, SPRING	1	1	1	1
21	106157-129	SPRING, FLYING BLOCK	1	1	1	1
22	106152-129	FLYING BLOCK	1	1	1	1
23	106151-129	CAMSHAFT	1	-	1	-
	106151-133	CAMSHAFT	-	1	-	1
24	106004-129	VALVE, EX.	1	1	1	1
25	106003-129	VALVE, IN.	1	1	1	1



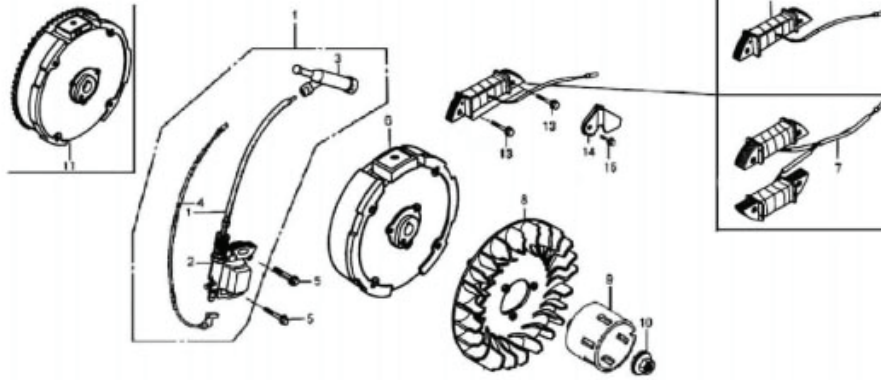
**(DIVERSION ASSY.)**

No.	Part No.	Description	(Reqd. QTY)			
			LC168F(D)-I	LC168F(D)-II	G160F(D)	G200F(D)
1	SB0620-0030000DI	BOLT, FLANGE, 6-20	1	1	1	1
2	108100-129	PLATE, SIDE	1	1	1	1
	208100-233	PLATE, SIDE (OIL ALERT)	1	1	1	1
3	SB0608-0030000DI	BOLT, FLANGE, 6-8	2	2	2	2
4	108001-129	SHROUD COMP	1	1	1	1
5	108100-136	PLATE, SIDE	(1)	(1)	(1)	(1)
6	111501 155	GROMMET, COED	(1)	(1)	(1)	(1)



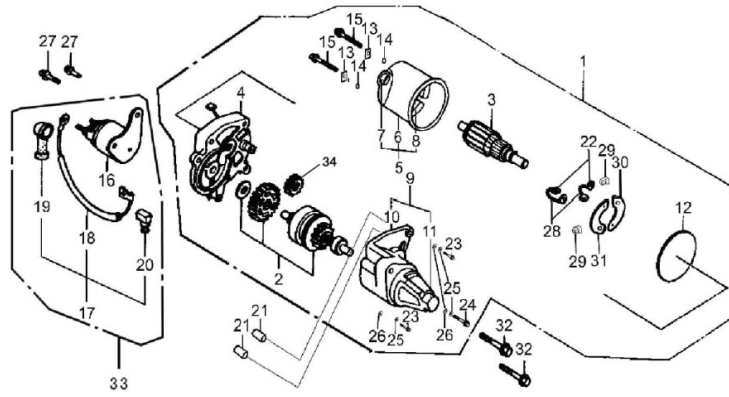
(CARBURETOR)

No.	Part No.	Description	(Reqd. QTY)			
			LC168F(D)-I	LC168F(D)-II	G160F(D)	G200F(D)
1	109100-129	CARBURETOR	1	-	1	-
	109100-133	CARBURETOR	-	1	-	1
2	109151-129	CARBURETOR'S NOUMENON	1	-	1	-
	109151-133	CARBURETOR'S NOUMENON	-	1	-	1
3	109163-129	NOZZLE , MAIN	1	-	1	-
	109163-133	NOZZLE , MAIN	-	1	-	1
4	109164-129	JET , MAIN	1	-	1	-
	109164-133	JET , MAIN	-	1	-	1
5	109158-129	VALVE , FLOAT	1	1	1	1
6	109159-129	SPRING , VALVE SET	1	1	1	1
7	109153-129	FLOAT	1	1	1	1
8	109154-129	PIN , FLOAT	1	1	1	1
9	109156-129	GASKET , OIL CUP	1	1	1	1
10	109155-129	OIL CUP	1	1	1	1
11	109179-129	GASKET , OIL CUP BOLT	1	1	1	1
12	109180-129	BOLT , OIL CUP	1	1	1	1
13	109182-129	DRAIN BOLT	1	1	1	1
14	109181-129	GASKET , DRAIN BOLT	1	1	1	1
15	109173-133	CUP , FUEL STRAINER	-	1	-	1
16	109184-133	PACKING , FUEL STRAINER CUP	-	1	-	1
17	109172-129	PACKING , FUEL COCK	-	1	-	1
18	109171-129	LEVER , COCK	-	1	-	1
19	109183-129	SPRING , COCK LEVER	-	1	-	1
20	109170-129	PLATE , LEVER SETTING	-	1	-	1
21	D20308	SCREW , PAN , 3×8	-	2	-	2
22	109165-129	BOTTOM SUB , JET SET	1	1	1	1
23	109162-129	JET SET , PILOT	1	1	1	1
24	109167-129	LEVER COMP.,CHOKE	1	1	1	1
25	109168-129	CHOKE LEVER	1	1	1	1
26	109169-129	PIN , CHOKE LEVER	1	1	1	1
13	109182-129	DRAIN BOLT	1	1	1	1
14	109181-129	GASKET , DRAIN BOLT	1	1	1	1
15	109173-133	CUP , FUEL STRAINER	-	1	-	1
16	109184-133	PACKING , FUEL STRAINER CUP	-	1	-	1
17	109172-129	PACKING , FUEL COCK	-	1	-	1
18	109171-129	LEVER , COCK	-	1	-	1
19	109183-129	SPRING , COCK LEVER	-	1	-	1
20	109170-129	PLATE , LEVER SETTING	-	1	-	1
21	D20308	SCREW , PAN , 3×8	-	2	-	2
22	109165-129	BOTTOM SUB , JET SET	1	1	1	1
23	109162-129	JET SET , PILOT	1	1	1	1
24	109167-129	LEVER COMP.,CHOKE	1	1	1	1
25	109168-129	CHOKE LEVER	1	1	1	1
26	109169-129	PIN , CHOKE LEVER	1	1	1	1
27	109160-129	CHOKE SET	1	1	1	1



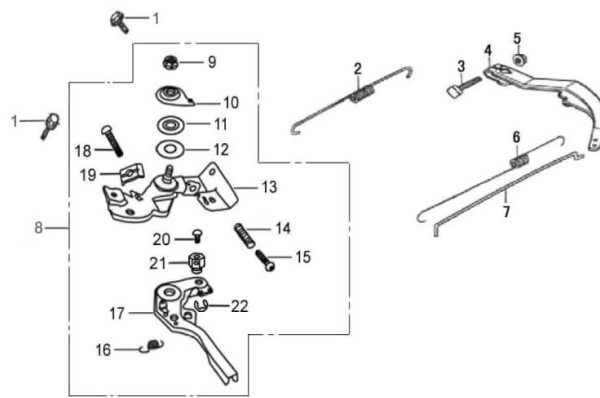
**(FLYWHEEL/COIL ASSY.)**

No.	Part No.	Description	(Reqd. QTY)			
			LC168F(D)-I	LC168F(D)-II	G160F(D)	G200F(D)
1	111100-129	COIL ASSY. , IGNITION	1	1	1	1
2	111151-129	COIL , IGNITION	2	2	2	2
3	111152-129	CAP ASSY. , NOISE SUPPRESS	1	1	1	1
4	111153-129	CORD , STOP SWITCH	1	1	1	1
5	SB0630-000000DL	BOLT , FLANGE , 6×30	2	2	2	2
6	110100-129	FLYWHEEL COMP	1	1	1	1
7	111300-1562	COIL ASSY. , CHARGE	(1)	(1)	(1)	(1)
8	110001-129	FAN , COOLING	1	1	1	1
9	110002-129	PULLEY , STARTER	1	1	1	1
10	080801-100	NUT , SPECIAL	1	1	1	1
11	110100-136	FLYWHEEL COMP	(1)	(1)	(1)	(1)
12	111300-1561	COIL ASSY. , CHARGE	(1)	(1)	(1)	(1)
13	SB0635-000000DL	BOLT , FLANGE , 6×35	2	2	2	2
14	111002-136	CLAMPER , CORD	(1)	(1)	(1)	(1)
15	SB0608-000000DL	BOLT , FLANGE , 6×8	(1)	(1)	(1)	(1)



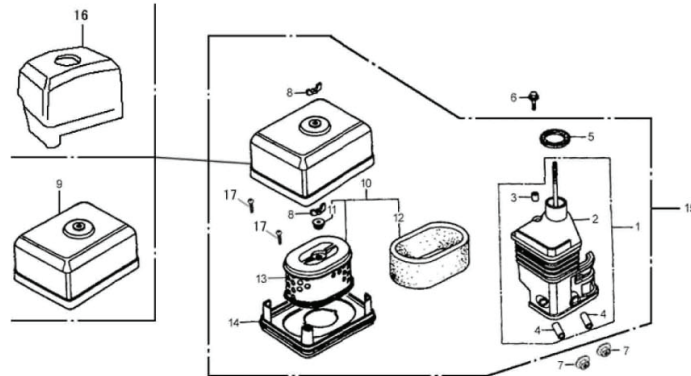
(STARTER MOTOR)

No.	Part No.	Description	(Reqd. QTY)			
			LC168F(D)-I	LC168F(D)-II	G160F(D)	G200F(D) D)
1	116100-136	STARTER MOTOR	(1)	(1)	(1)	(1)
2	116151-136	CLUTCH COMP., OVERRUNN	(1)	(1)	(1)	(1)
3	116152-136	ARMATURE COMP	(1)	(1)	(1)	(1)
4	116153-136	BRACKET, CENTER	(1)	(1)	(1)	(1)
5	116165-136	YOKE COMP	(1)	(1)	(1)	(1)
6	116166-136	YOKE	(1)	(1)	(1)	(1)
7	116167-136	BUSHING RING	(1)	(1)	(1)	(1)
8	116168-136	MAGNET	(1)	(1)	(1)	(1)
9	116169-136	BRACKET COMP, FR	(1)	(1)	(1)	(1)
10	116170-136	BRACKET	(2)	(2)	(2)	(2)
11	116171-136	BUSHING RING	(2)	(2)	(2)	(2)
12	116172-136	O-RING, YOKE	(2)	(2)	(2)	(2)
13	116173-136	WASHER	(2)	(2)	(2)	(2)
14	116174-136	O-RING, BOLT	(2)	(2)	(2)	(2)
15	116175-136	BOLT, YOKE	(2)	(2)	(2)	(2)
16	116201-136	CONTACTOR COMP	(1)	(1)	(1)	(1)
17	116202-136	WIRE, WATER COVER	(1)	(1)	(1)	(1)
18	116203-136	CONDUCTING WIRE	(1)	(1)	(1)	(1)
19	116204-136	INSULATION COVERING	(1)	(1)	(1)	(1)
20	116205-136	JACKET, WATER COVER	(1)	(1)	(1)	(1)
21	081209-100	PIN, 8×10	(1)	(1)	(1)	(1)
22	116158-136	BRUSH	(1)	(1)	(1)	(1)
23	D20518	SCREW, 5×18	(2)	(2)	(2)	(2)
24	D20530	SCREW, 5×30	(1)	(1)	(1)	(1)
25	Q00500	SPRING WASHER	(3)	(3)	(3)	(3)
26	Q20500	PACKING	(3)	(3)	(3)	(3)
27	SB0512	BOLT, 5×12	(2)	(2)	(2)	(2)
28	116159-136	WIRE, BRUSH	(2)	(2)	(2)	(2)
29	116163-136	SPRING	(2)	(2)	(2)	(2)
30	116161-136	INSULATOR	(1)	(1)	(1)	(1)
31	116160-136	INSULATOR, METAL	(1)	(1)	(1)	(1)
32	S90625	BOLT, 6×25	(2)	(2)	(2)	(2)
33	116200-136	CONTACTOR ASSY	(1)	(1)	(1)	(1)
34	116176-136	GEAR	(1)	(1)	(1)	(1)



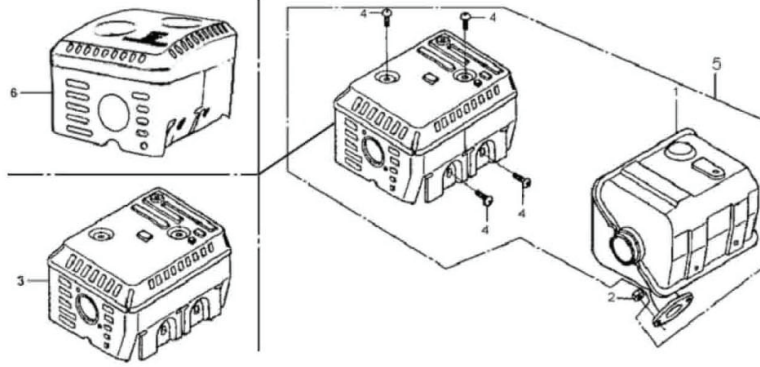
**(CONTROL SYSTEM)**

No.	Part No.	Description	(Reqd. QTY)			
			LC168F(D)-I	LC168F(D)-II	G160F(D)	G200F(D)
1	SB0610	BOLT, FLANGE	2	2	2	2
2	115003-129	SPRING, GOVERNOR	1	1	1	1
3	080402-100000010	BOLT, QUADRATE HEAD	1	1	1	1
4	115004-129	ARM, GOVERNOR	1	1	1	1
5	M80600-0000000DL	NUT, FLANGE	1	1	1	1
6	115002-129	SPRING, THROTTLE RETURN	1	1	1	1
7	115001-129	ROD, GOVERNOR	1	1	1	1
8	115100-129	CONTROL ASSY.	1	1	1	1
9	M80600	NUT, FLANGE	1	1	1	1
10	115151-129	FIXING PLATE	1	1	1	1
11	115152-129	WASHER, METAL	1	1	1	1
12	115153-129	WASHER, PLAST	1	1	1	1
13	115160-129	RETAINER, CONTROL ASSY.	1	1	1	1
14	115155-129	SPRING	1	1	1	1
15	D20535-0000000DL	SCREW , 5×35	1	1	1	1
16	115154-129	SPRING , CABLE RETURN	1	1	1	1
17	115156-129	HANDLE, CONTROL	1	1	1	1
18	D20525-0000000DL	SCREW , 5×25	1	1	1	1
19	115157-129	BACK PLATE , DRAGLINE	1	1	1	1
20	D20406-0000000DL	SCREW , 4×6	1	1	1	1
21	115158-129	LOCKING RING , DRAGLINE	1	1	1	1
22	A50500-0000000HIL	CLIP	1	1	1	1



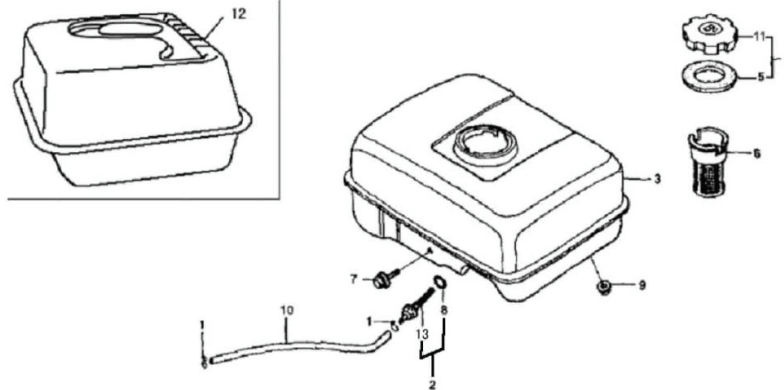
**空滤器 (AIR CLEANER)**

序号 No.	零部件图号 Part No.	Description	数量 (Reqd. QTY)			
			LC168F(D)-I	LC168F(D)-II	G160F(D)	G200F(D)
1	112154-129	ELBOW COMP., AIR CLEANER	1	1	1	1
2	112155-129	ELBOW	1	1	1	1
3	112156-129	COLLAR, SHORT	2	2	2	2
4	112157-129	COLLAR, LONG	2	2	2	2
5	112152-129	PACKING, ELBOW	1	1	1	1
6	S90620-0000000DL	BOLT, FLANGE, 6×20	1	1	1	1
7	M80600-0000000DL	NUT, FLANGE, 6MM	2	2	2	2
8	MG0600-0000000YH	NUT, TOOL BOX SETTING	2	2	2	2
9	112151-129	COVER, AIR CLEANER	1	1	-	-
10	112158-129	ELEMENT ASSY., AIR CLEANER	1	1	1	1
11	112161-129	GROMMET, AIR CLEANER	1	1	1	1
12	112160-129	FILTER, OUTER	1	1	1	1
13	112159-129	ELEMENT	1	1	1	1
14	112153-129	NOSE, SILENCER	1	1	1	1
15	112100-129	AIR CLEANER ASSY	1	1	-	-
15	112100-101	AIR CLEANER ASSY	-	-	1	1
16	112151-101	COVER, AIR CLEANER	-	-	1	1
17	G03E12	SCREW	2	2	2	2



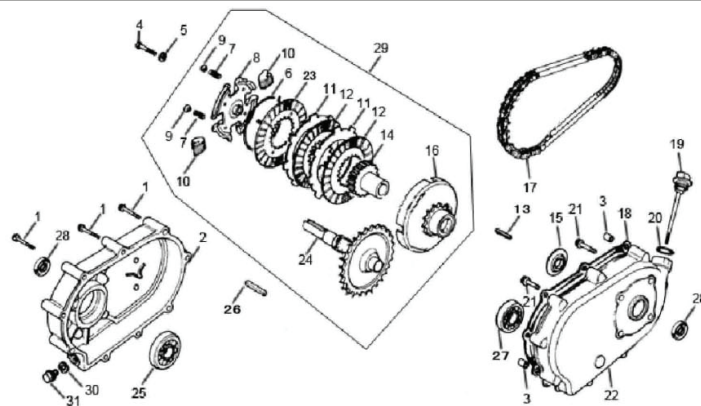
(MUFFLER)

No.	Part No.	Description	(Reqd. QTY)			
			LC168F(D)-I	LC168F(D)-II	G160F(D)	G200F(D)
1	113151-129	MUFFLER COMP.	1	1	1	1
2	M10800-000000DL	NUT, HEX., 8MM	1	1	1	1
3	113152-129	PROTECTOR, MUFFLER	1	1	-	-
4	D20508-000000DL	SCREW, TAPPING, 5×8	4	4	4	4
5	113100-129	MUFFLER ASSY.	1	1	-	-
	113100-101	MUFFLER ASSY.	-	-	1	1
6	113152-101	PROTECTOR, MUFFLER	-	-	1	1



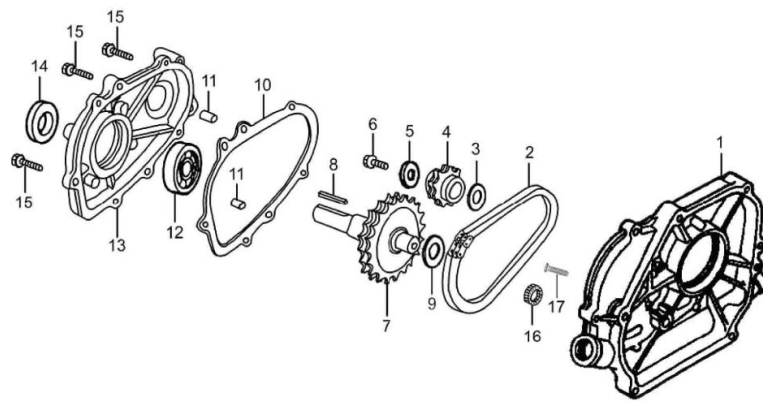
(FUEL TANK)

No.	Part No.	Description	(Reqd. QTY)			
			LC168F(D)-I	LC168F(D)-II	G160F(D)	G200F(D)
1	109004-129	CLIP, TUBE	2	2	2	2
2	114300-129	JOINT ASSY., FUEL TANK	1	1	1	1
3	114100-129	TANK COMP., FUEL	1	1	-	-
4	114200-129	CAP COMP., FUEL FILLER	1	1	1	1
5	114251-129	PACKING, FUEL FILLER CAP	1	1	1	1
6	114001-129	FILTER, FUEL	1	1	1	1
7	SB0625-000000DL	BOLT, FLANGE, 6×25	1	1	1	1
8	114352-129	PACKING, JOINT	1	1	1	1
9	M80600-000000DL	NUT, FLANGE, 6MM	2	2	2	2
10	081502-100	TUBE, FUEL	1	1	1	1
11	114252-129	CAP, FUEL FILLER	1	1	-	-
12	114100-101	TANK COMP., FUEL	-	-	1	1
13	114351-129	JOINT, FUEL TANK	1	1	1	1



**(CLUTCH RETARDER)**

No.	Part No.	Description	(Reqd. QTY)		
			LC168F(D)-IB	LC168F(D)-IIB	G160F(D)-B
1	SA0655-000000DL	BOLT , FLANGE , 6×55	9	9	9
2	121002-130	RETARDER CASE COVER	1	1	1
3	081210-100	PIN , DOWEL , 8×14	2	2	2
4	S90830	BOLT , FLANGE , 8×30	1	1	1
5	Q50800	WASHER , HOLDER , 8.4×15×1.6	1	1	1
6	121308-130	RING , LIMITE WEIGHT CIRCUMROTATE	1	1	1
7	121359-130	SPRING	4	4	4
8	121356-130	COVER , CLUTCH	1	1	1
9	121361-130	RETAINER , SPRING	4	4	4
10	121357-130	WEIGHT , RETARDER	48	48	48
11	121367-130	STEEL SLICE , RETARDER	2	2	2
12	121368-130	CHAFE SLICE , RETARDER	2	2	2
13	081702-100	KEY	1	1	1
14	121369-130	SHAFT SHEATH , RESTRICTION CENTER	1	1	1
15	121366-130	WASHER , THRUST	1	1	1
16	121352-130	MANTLE , RETARDER	1	1	1
17	121100-130	CHAIN , RETARDER	1	1	1
18	121003-130	PACKING , RETARDER CASE COVER	1	1	1
19	121251-130	OIL STICK	1	1	1
20	121252-130	RING , SEAL	1	1	1
21	S90825	BOLT , FLANGE	5	5	5
22	121001-130	RETARDER CASE	1	1	1
23	121362-130	PLATE COMP. , CLUTCH PRESSURE	1	1	1
24	121363-130	CHAIN WHEEL , OUTPUT	1	1	1
25	081611-100000030	BEARING , RADIAL BALL	1	1	1
26	081610-100000030	BEARING , RADIAL BALL	1	1	1
27	081702-100	KEY	1	1	1
28	081116-100	OIL SEAL , 30×50×8	1	1	1
29	121300-130	CLUTCH ASSY.	1	1	1
30	080721-100	WASHER , DRAIN PLUG	1	1	1
31	080304-100	BOLT , DRAIN PLUG	1	1	1



(RETARDER)

No.	Part No.	Description	(Reqd. QTY)			
			LC168F(D)-IC	LC168F(D)-IIC	G160F(D)-C	G200F(D)-C
1	103001-131	COVER	1	1	1	1
2	121100-131	CHAIN	1	1	1	1
3	080726-100	WASHER	1	1	1	1
4	121501-131	CHAIN WHEEL	1	1	1	1
5	080708-100	WASHER	1	1	1	1
6	S90830	BOLT 8×30	1	1	1	1
7	121502-131	OUTPUT SHAFT	1	1	1	1
8	081703-100	KEY	1	1	1	1
9	080725-100	WASHER	1	1	1	1
10	121003-131	PACKING	1	1	1	1
11	081210-100	PIN	1	1	1	1
12	081610-100000030	BEARING , RADIAL BALL	1	1	1	1
13	121002-131	COVER	1	1	1	1
14	081111-100	OIL SEAL	1	1	1	1
15	SA0624-0000000DL	BOLT 6×24	5	5	5	5
16	081602-100000010	BEARING	1	1	1	1
17	D30830	SCREW 8×30	1	1	1	1