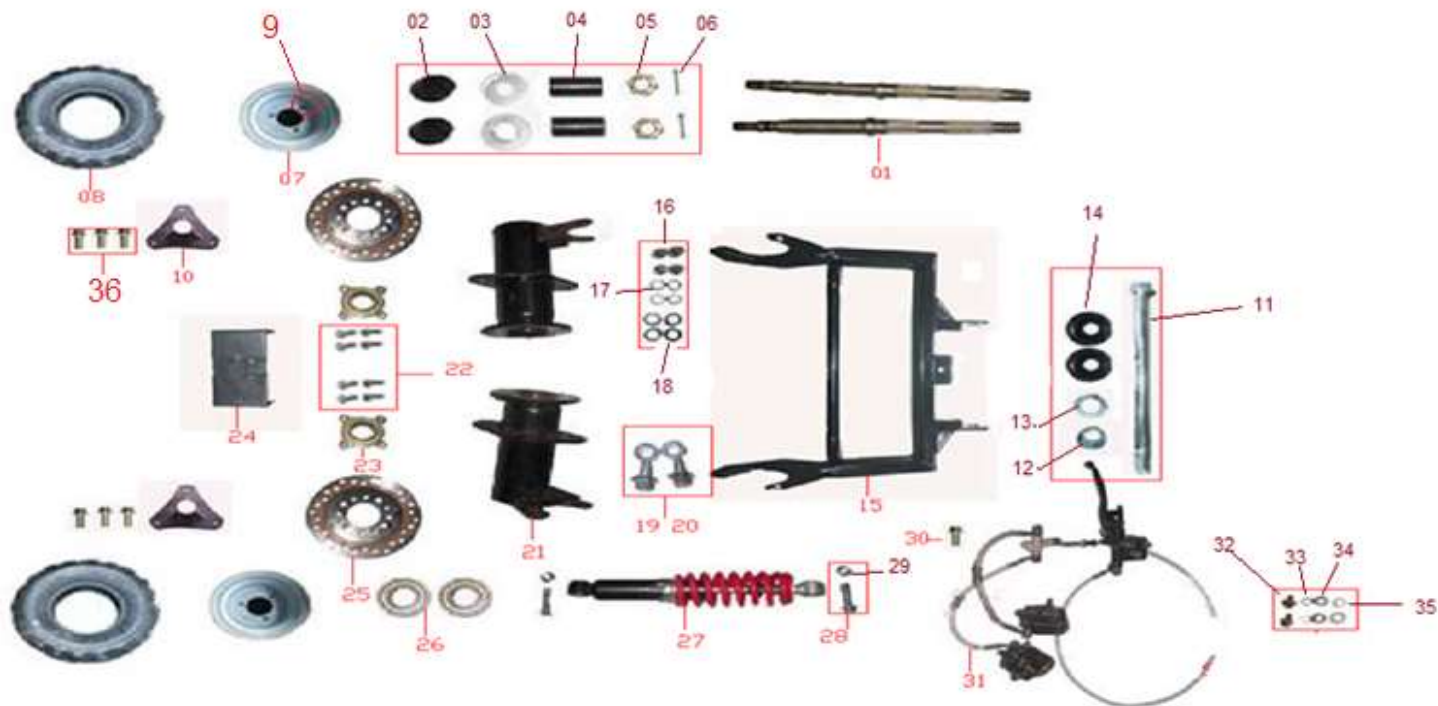




| Position | Part number | Název | Name |
|----------|-------------|-------------|-----------|
| 1 | 547509001 | Vlajka | Flag |
| 2 | 547500011 | Zadní nosič | Rear rack |

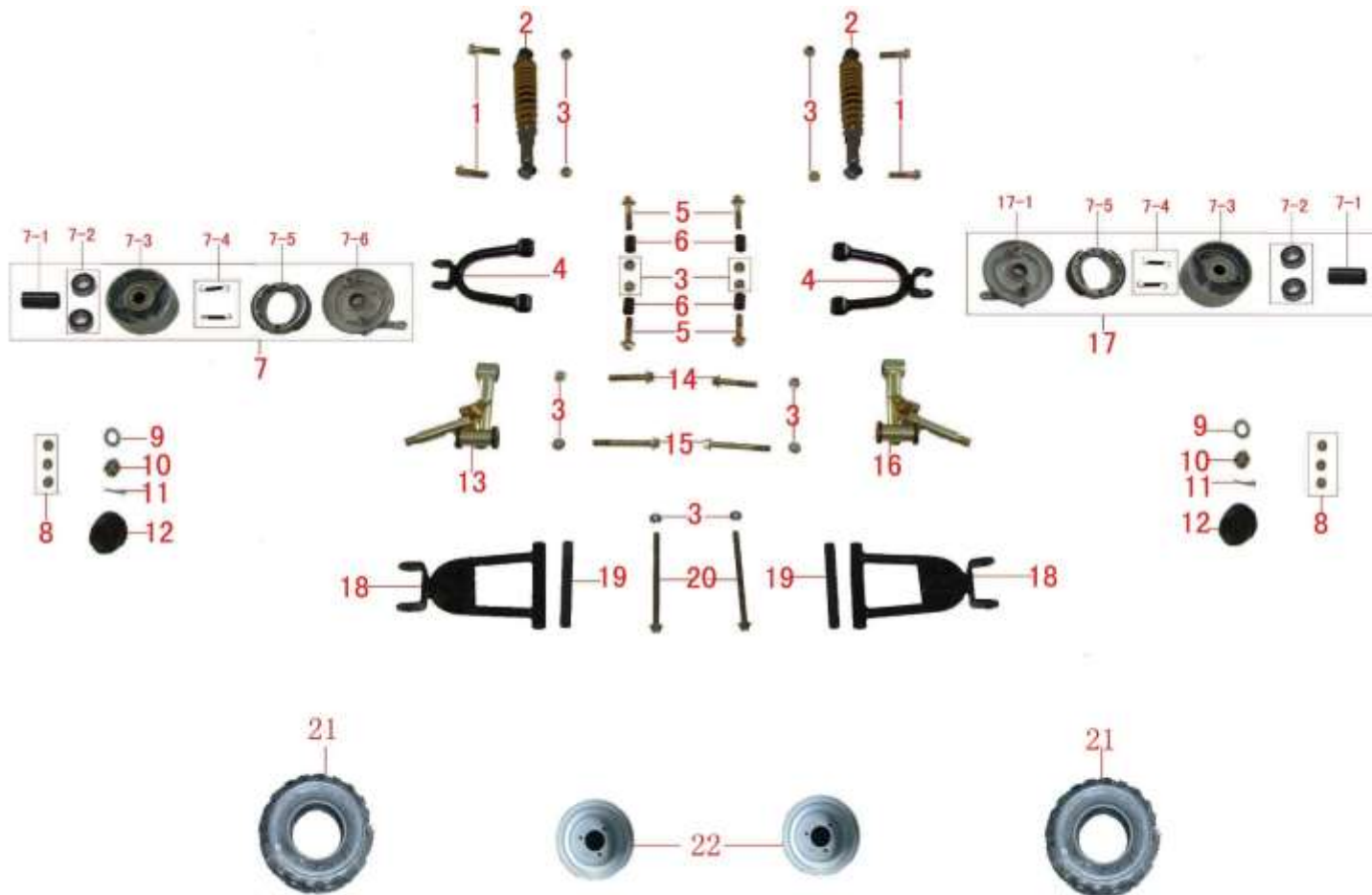


| Position | Part number | Název | Name |
|----------|-------------|-------------------------|--------------------|
| 1 | 547500001 | Přední světlo | Headlight |
| 1-1 | 547500011 | Žárovka malá | Small bulb |
| 1-2 | 547500012 | Žárovka velká | Big bulb |
| 2 | ST4,2x14 | Šroub ST4,2x14 | Screw ST4,2x14 |
| 3 | P-04 | Podložka 4 | Washer 4 |
| 4 | ST4,8x14 | Šroub ST4,8x14 | Screw ST4,8x14 |
| 5 | 547502005 | Šroub M6x16 | Bolt M6x16 |
| 6 | 547522006 | Kryt nádrže | Tank cover |
| 7 | M-06 | Matice M6 | Nut M6 |
| 8 | P-06 | Podložka 6 | Washer 6 |
| 9 | 547502009 | Podložka gumová | Rubber washer |
| 10 | 547502010 | Šroub M6x16 | Bolt M6x16 |
| 11 | 547522011 | Přední kryt šasí | Front cover |
| 12 | 547502012 | Levý nášlap | Left footrest |
| 13 | 547502013 | Ukazatel nabití baterie | Capacity display |
| 14 | 547502014 | Držák | Bracket |
| 16 | 547502016 | Pravý nášlap | Right footrest |
| 17 | ST4,2*14 | Šroub ST4,2x14 | Screw ST4,2x14 |
| 18 | 547522018 | Zadní kryt šasí | Rear cover |
| 19 | 547502019 | Podložka pod sedlo | Washer for seat |
| 20 | 547502020 | Sedadlo | Seat |
| 21 | 547502021 | Zadní odrazka | Rear reflector |
| 22 | 547502022 | Držák zadního světla | Rear light bracket |
| 23 | 547502023 | Zadní světlo | Rearlight |

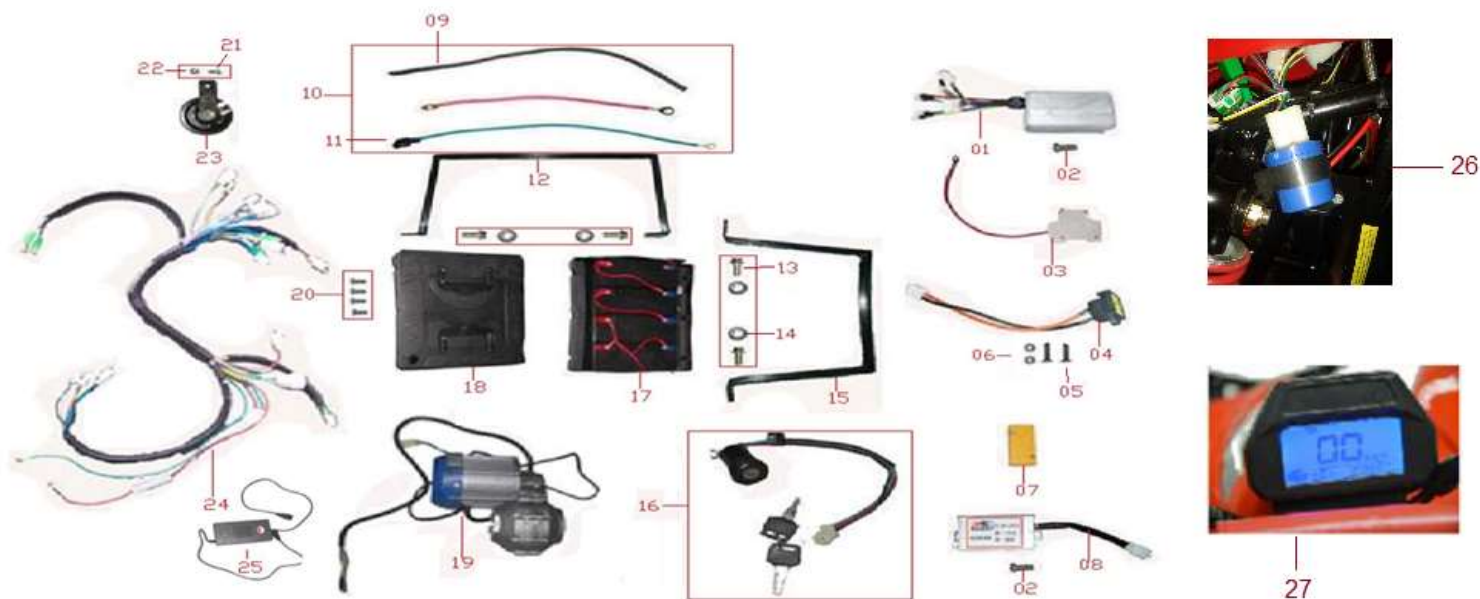


| Position | Part number | Název | Name |
|----------|-------------|-------------------------------|-----------------------------|
| 1 | 547503001 | Zadní osa kol | Rear axle |
| 2 | 547503002 | Krytka | Cover |
| 3 | 547503003 | Podložka | Washer |
| 4 | 547503004 | Pouzdro | Bushing |
| 5 | 547503005 | Korunová matice M20x1,5 | Slotted nut M20x1,5 |
| 6 | 547503006 | Závlačka | Cotter pin |
| 7 | 547503007 | Ráfek kola | Wheel rim |
| 8 | 547503008 | Pneumatika 16/8-7 (bezdušové) | Tyre 16/8-7 (tubeless) |
| 9 | 547503009 | Ventilek | Tyre valve |
| 10 | 547503010 | Unašeč kola | Rear wheel retainer |
| 11 | 547503011 | Šroub M14x1,5-230 | Bolt M14x1,5-230 |
| 12 | 547503012 | Podložka | Washer |
| 13 | 547503013 | Podložka 15x28x2 | Washer 15x28x2 |
| 14 | 547503014 | Matice M14x1,4 | Nut M14x1,4 |
| 15 | 547504015 | Rám | Frame |
| 16 | S-08*20 | Šroub M8x20 | Bolt M8x20 |
| 17 | PP-08 | Pružná podložka 8 | Spring washer 8 |
| 18 | P-08 | Podložka 8 | Washer 8 |
| 19 | 547504019 | Šroub M12x1,25-25 | Bolt M12x1,25-25 |
| 20 | 547504020 | Matice M12x1,25 | Nut M12x1,25 |
| 21 | 547504021 | Unašeč zadní vidlice | Rear swingarm bracket |
| 22 | S-08*16 | Šroub M8x16 | Bolt M8x16 |
| 23 | 547504023 | Unašeč brzdového kotouče | Brake disc retainer |
| 24 | 547504024 | Držák zadního tlumiče | Rear shock absorber bracket |
| 25 | 547504025 | Brzdový kotouč | Brake disc |
| 26 | 6205-RS | Ložisko 6205 | Bearing 6205 |
| 27 | 547504027 | Zadní tlumič | Rear shock absorber |
| 28 | 547504028 | Šroub M10x1,25-42 | Bolt M10x1,25-42 |
| 29 | 547504029 | Matice M10x1,25 | Nut M10x1,25 |
| 30 | S-06*30 | Šroub M6x30 | Bolt M6x30 |
| 31 | 547504031 | Zadní brzda | Rear brake |
| 32 | 547504032 | Šroub M8x16 | Bolt M8x16 |
| 33 | PP-08 | Pružná podložka 8 | Spring washer 8 |
| 34 | 547504034 | Pouzdro | Bushing |

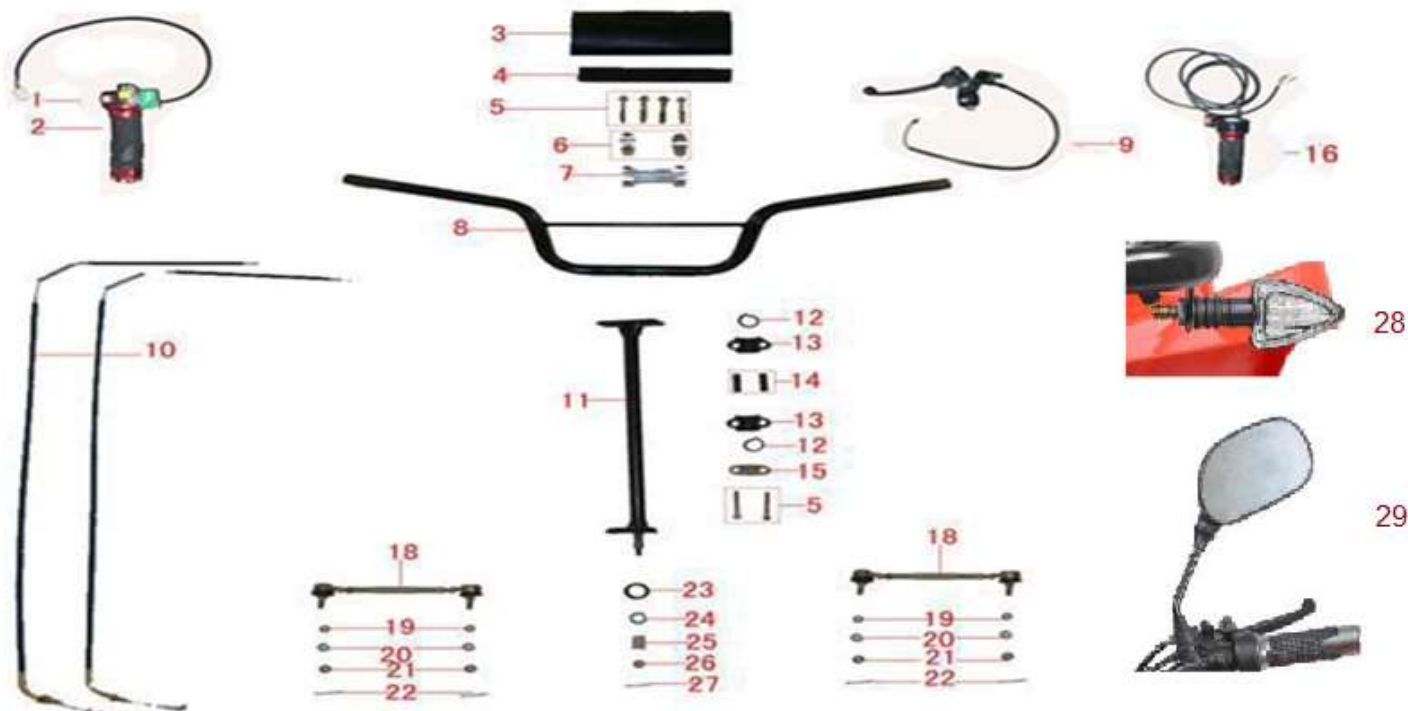
| Position | Part number | Název | Name |
|----------|-------------|-------------|------------|
| 35 | P-08 | Podložka 8 | Washer 8 |
| 36 | S-08*20 | Šroub M8x20 | Bolt M8x20 |



| Position | Part number | Název | Name |
|----------|-------------|----------------------------|---------------------------------|
| 1 | 547504028 | Šroub M10x1,25-42 | Bolt M10x1,25-42 |
| 2 | 547505002 | Přední tlumič | Front shock absorber |
| 3 | 547504029 | Matice M10x1,25 | Nut M10x1,25 |
| 4 | 547505004 | Přední vidlice | Front swingarm |
| 5 | 547505005 | Šroub M10x1,25-45 | Bolt M10x1,25-45 |
| 6 | 547505006 | Pouzdro | Bushing |
| 7 | 547505007 | Přední levá bubnová brzda | Front left drum brake assembly |
| 7-1 | 5475050071 | Pouzdro brzdy | Bushing |
| 7-2 | 6003-ZZ | Ložisko 6003-Z | Bearing 6003-Z |
| 7-3 | 5475050073 | Tělo bubnové brzdy | Drum brake body |
| 7-4 | 5475050074 | Lamela brzdy | Brake shoe |
| 7-5 | 5475050075 | Pružina brzdy | Brake spring |
| 8 | M-08 | Matice M8 | Nut M8 |
| 9 | 547505009 | Podložka | Washer |
| 10 | 547505010 | Korunová matice M14x1,5 | Slotted nut M14x1,5 |
| 11 | 547505011 | Závlačka | Cotter pin |
| 12 | 547503002 | Krytka kola | Wheel hub cap |
| 13 | 547505013 | Levý čep kola | Left wheel knuckle |
| 14 | 547505014 | Šroub M10x1,25-55 | Bolt M10x1,25-55 |
| 15 | 547505015 | Šroub M10x1,25-85 | Bolt M10x1,25-85 |
| 16 | 547505016 | Pravý čep kola | Right wheel knuckle |
| 17 | 547505017 | Přední pravá bubnová brzda | Front right drum brake assembly |
| 18 | 547505018 | Zadní vidlice | Rear swingarm |
| 19 | 547505019 | Pouzdro | Bushing |
| 20 | 547505020 | Šroub M10x1,25-55 | Bolt M10x1,25-55 |
| 21 | 547505021 | Pneumatika 16/8-7 | Tyre 16/8-7 |
| 22 | 547505022 | Ráfek kola | Wheel rim |



| Position | Part number | Název | Name |
|----------|--------------|-----------------------------|-------------------------------|
| 1 | 547506001 | Elektronika | Controller |
| 2 | S-05*16 | Šroub M5x16 | Bolt M5x16 |
| 3 | 547506003 | Spínač | Switch |
| 4 | 547506004 | Konektor nabíječky | Charger socket |
| 5 | 547506005 | Šroub M5x30 | Screw M5x30 |
| 6 | M-05 | Matice M5 | Nut M5 |
| 7 | 547506007 | Elektronika | Electrical connector |
| 8 | 547506008 | Měníč napětí | Voltage converter |
| 9 | 547506009 | Ochranný tubus kabelu | Cable shield tube |
| 10 | 547506010 | Kabel 700mm | Cable 700mm |
| 11 | 547506011 | Kabel 500mm | Cable 500mm |
| 12 | 547506012 | Objímka baterie | Battery buckle |
| 13 | S-08*20 | Šroub M8x20 | Bolt M8x20 |
| 14 | M-08 | Matice M8 | Nut M8 |
| 15 | 547506015 | Objímka baterie | Battery buckle |
| 16 | 547506016 | Spínací skříňka s klíčkem | Switchbox with key |
| 17 | 547506017 | Baterie 12V20Ah | Battery 12V20Ah |
| 18 | 547506018 | Skříň baterie | Battery case |
| 19 | 547506019 | Motor s převodovkou | Motor with gearbox |
| 20 | S-04*16 | Šroub M4x16 | Screw M4x16 |
| 21 | 547506021 | Šroub M8x16 | Screw M8x16 |
| 22 | M-08 | Matice M8 | Nut M8 |
| 23 | 547506023 | Reproduktor | Speaker |
| 24 | 547506024 | Kabeláž | Main cable |
| 25 | HECHT0054750 | Nabíječka | Charger |
| 26 | 547504032 | Přerušovač směrových světel | Circuit breaker (turn lights) |
| 27 | 547508001 | Tachometr | Speedometer |



| Position | Part number | Název | Name |
|----------|-------------|--------------------------------|--------------------------------|
| 1 | 547507001 | Ovládací (spínač) levého madla | Control button for left handle |
| 2 | 547507002 | Levé madlo | Left handle |
| 3 | 547507003 | Kryt pěnovky | Foam cover |
| 4 | 547507004 | Pěnovka | Foam |
| 5 | 547507005 | Šroub M8x55 | Bolt M8x55 |
| 6 | 547507006 | Horní třmen řidítek | Handlebar upper bracket |
| 7 | 547507007 | Spodní třmen řidítek | Handlebar lower bracket |
| 8 | 547507008 | Řidítka | Handlebar |
| 9 | 547507009 | Pravá páčka brzdy | Brake lever right |
| 10 | 547507010 | Bowden brzdy | Front brake cable |
| 11 | 547507011 | Volantová tyč | Steering wheel rod |
| 12 | 547507012 | Těsnění | Dustproof seal |
| 13 | 547507013 | Třmen | Bracket |
| 14 | 547507014 | Pouzdro | Bushing |
| 15 | 547507015 | Přítlačná podložka | Fixing washer |
| 16 | 547507016 | Pravé madlo kompletní | Right handle assembly |
| 18 | 547507018 | Tyč řízení | Steering rod |
| 19 | PP-10 | Pružná podložka 10 | Spring washer 10 |
| 20 | P-10 | Podložka 10 | Washer 10 |
| 21 | 541200025 | Korunová matice M10 | Slotted nut M10 |
| 22 | 547507022 | Závlačka | Cotter pin |
| 23 | 547507023 | Krytka | Dustproof cover |
| 24 | 547507024 | Podložka | Washer |
| 25 | 547507025 | Krytka | Cover |
| 26 | 547507026 | Korunová matice M10x1,25 | Slotted nut M10x1,25 |
| 27 | 547507022 | Závlačka | Cotter pin |
| 28 | 547508003 | Směrovka | Turning light |
| 29 | 547508002 | Levé zrcátko | Left mirror |
| | 547508004 | Pravé zrcátko | Right mirror |