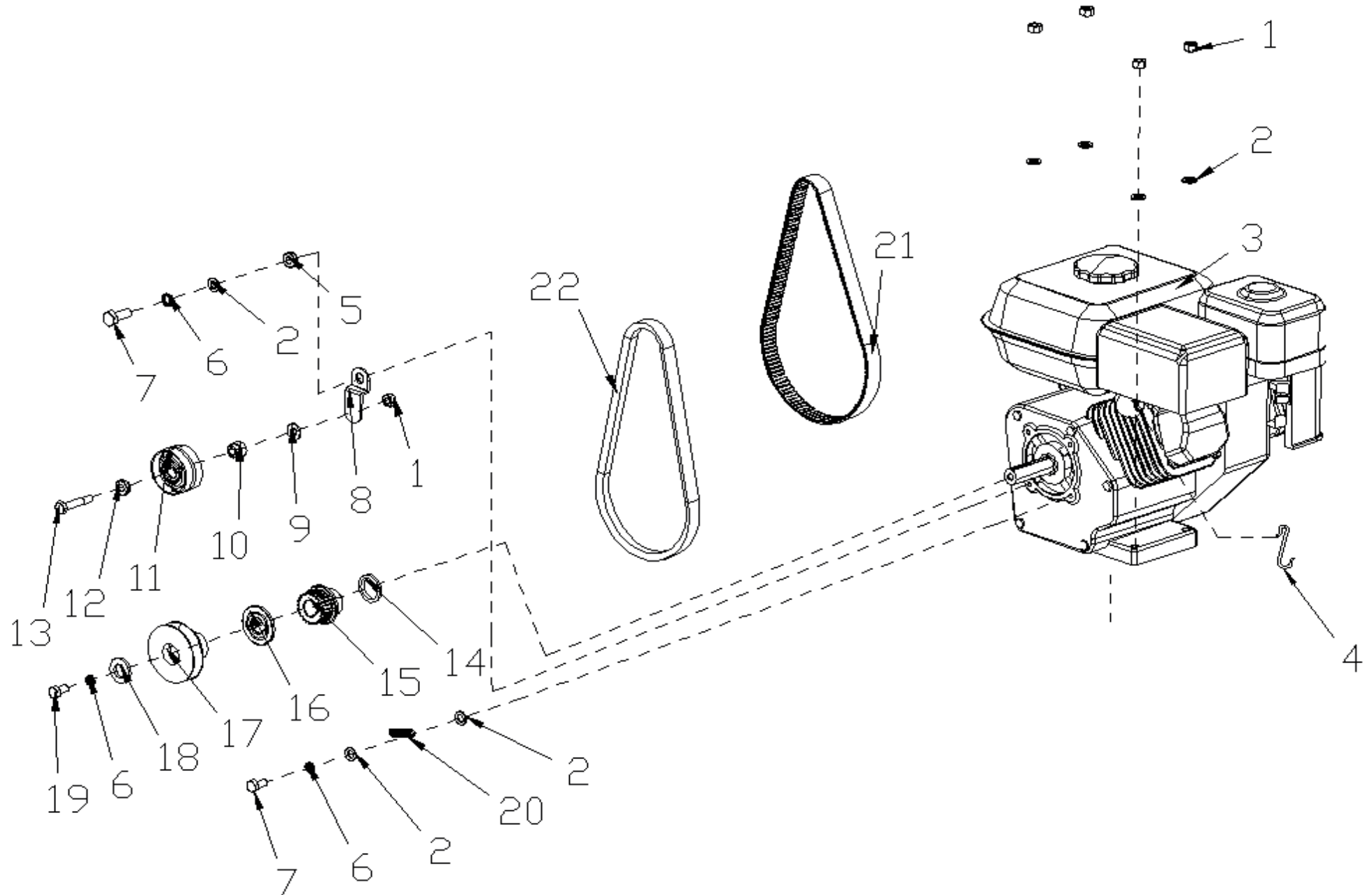
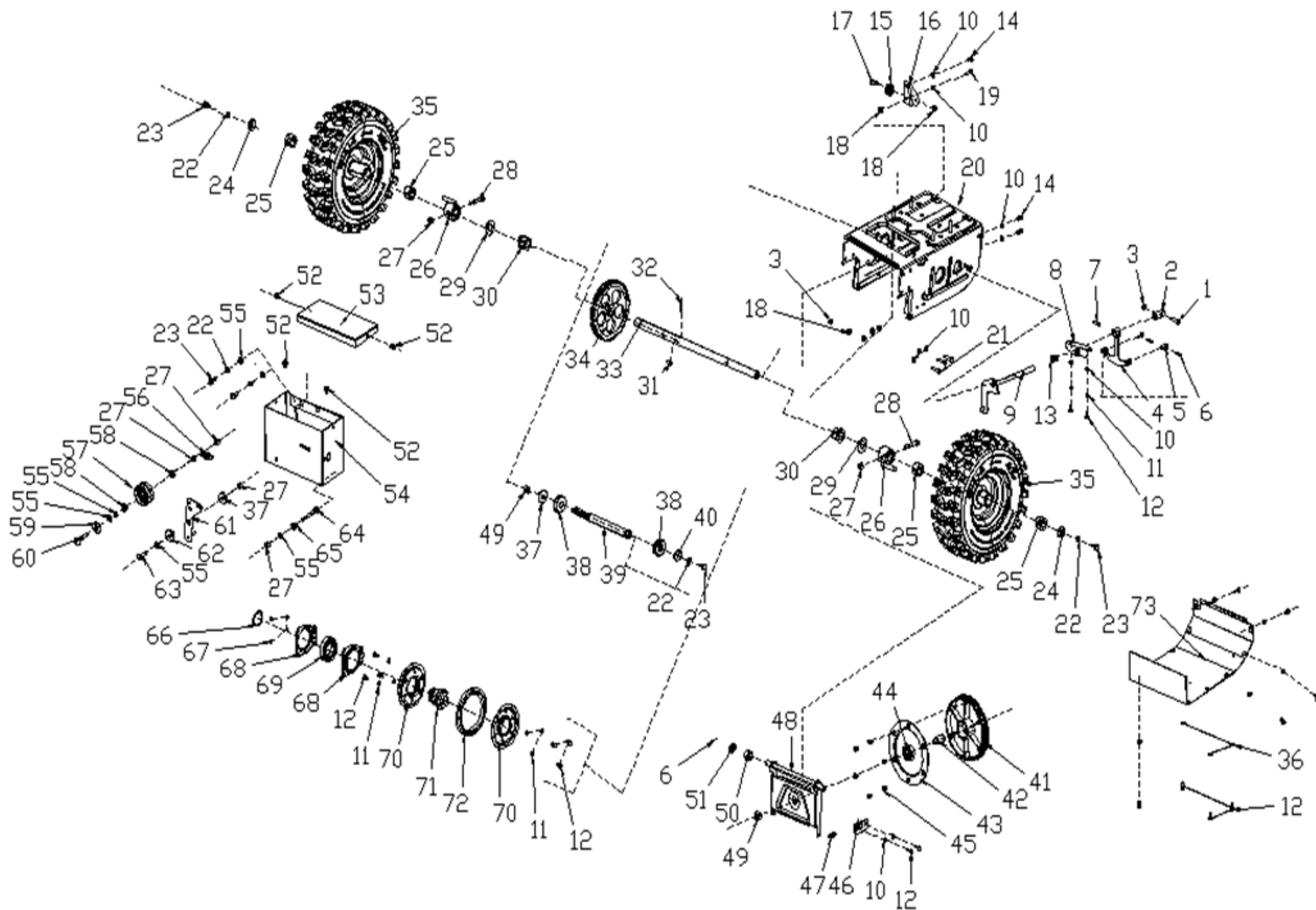


| Č. | Objed. číslo | Název | Name | Ks |
|----|----------------------------|-----------------|--------------------------|----|
| 1 | C5SHC0516 | šroub M5x16 | cross screw | 2 |
| 2 | PG-024 | páka pohonu | clutch handle | 1 |
| 3 | PG-056 | záchyt bowdenu | auger wire block | 1 |
| 4 | C5NHLCY05 | matice M5 | lock nut | 2 |
| 5 | SJ-033 | bowden | walk wire assy. | 1 |
| 6 | WBZSH004018002 | šroub | screw | 8 |
| 7 | C5D041008 | podložka | plain cushion | 2 |
| 8 | C5HSC0880 | šroub M8x80 | hexagon screw | 1 |
| 9 | C5HSC0835 | šroub M8x35 | hexagon screw | 1 |
| 10 | C5YXDP008 | podložka | Leaf shape gasket | 6 |
| 11 | PG-073HJ | horní madlo | toprail welding | 1 |
| 12 | PG-021 | kryt páky pravý | shift plate | 1 |
| 13 | SJ-224 | podložka | gourd shape clip | 1 |
| 14 | SA-008 | podložka | saddle elastic gasket | 1 |
| 15 | C5D081615 | podložka | plain cushion | 5 |
| 16 | C5NHLCY08 | matice M8 | lock nut | 2 |
| 17 | PG-009 | podložka | gasket | 1 |
| 18 | PG-066 | kulisa páky | fixed seat | 1 |
| 19 | PG-022 | páka pojezdu | shift plate 2 | 1 |
| 20 | STG11(13)70(10)AE-02-02-08 | pružina | hand adjusting spring | 1 |
| 21 | PG-067 | kryt páky levý | shift cover | 1 |
| 22 | C5NHLCY06 | matice M6 | lock nut | 1 |
| 23 | C5D061207 | podložka | plain cushion | 1 |
| 24 | PG-030 | držák bowdenu | wire fixed block | 1 |
| 25 | C5HSC0640 | šroub M6x40 | hexagon screw | 1 |
| 26 | SSG-5580A.23-01 | svorka bowdenu | cable clamp | 1 |
| 27 | PG-033 | madlo páky | shift ball knobs | 1 |
| 28 | ZY-050 | křídlová matice | knob | 4 |
| 29 | C5NSL0840 | šroub madla | blade bolt | 4 |
| 30 | PG-068 | páka | auger clutch handle | 1 |
| 31 | TIG5050D-03-16 | čep | handle fixed pin | 1 |
| 32 | PG-032 | kryt páky horní | clutch handle fixed seat | 1 |

| | | | | |
|----|-----------|---------------------|---------------------------|---|
| 33 | PG-023 | kryt páky spodní | clutch handle fixed plate | 1 |
| 34 | C5D081615 | podložka | plain cushion | 1 |
| 35 | PG-057 | spodní madlo | armrest | 1 |
| 36 | PG-063 | bowden řazení vpřed | forward shift wire | 1 |
| 37 | PG-062 | bowden řazení vzad | backward shift wire | 1 |
| 38 | C5HSC0820 | šroub madla M8x20 | hexagon screw | 2 |
| 39 | C5HSC0840 | šroub madla M8x40 | hexagon screw | 2 |
| 40 | SJ-028 | podložka | gasket | 2 |
| 41 | SG-060 | bowden pohonu | auger wire | 1 |



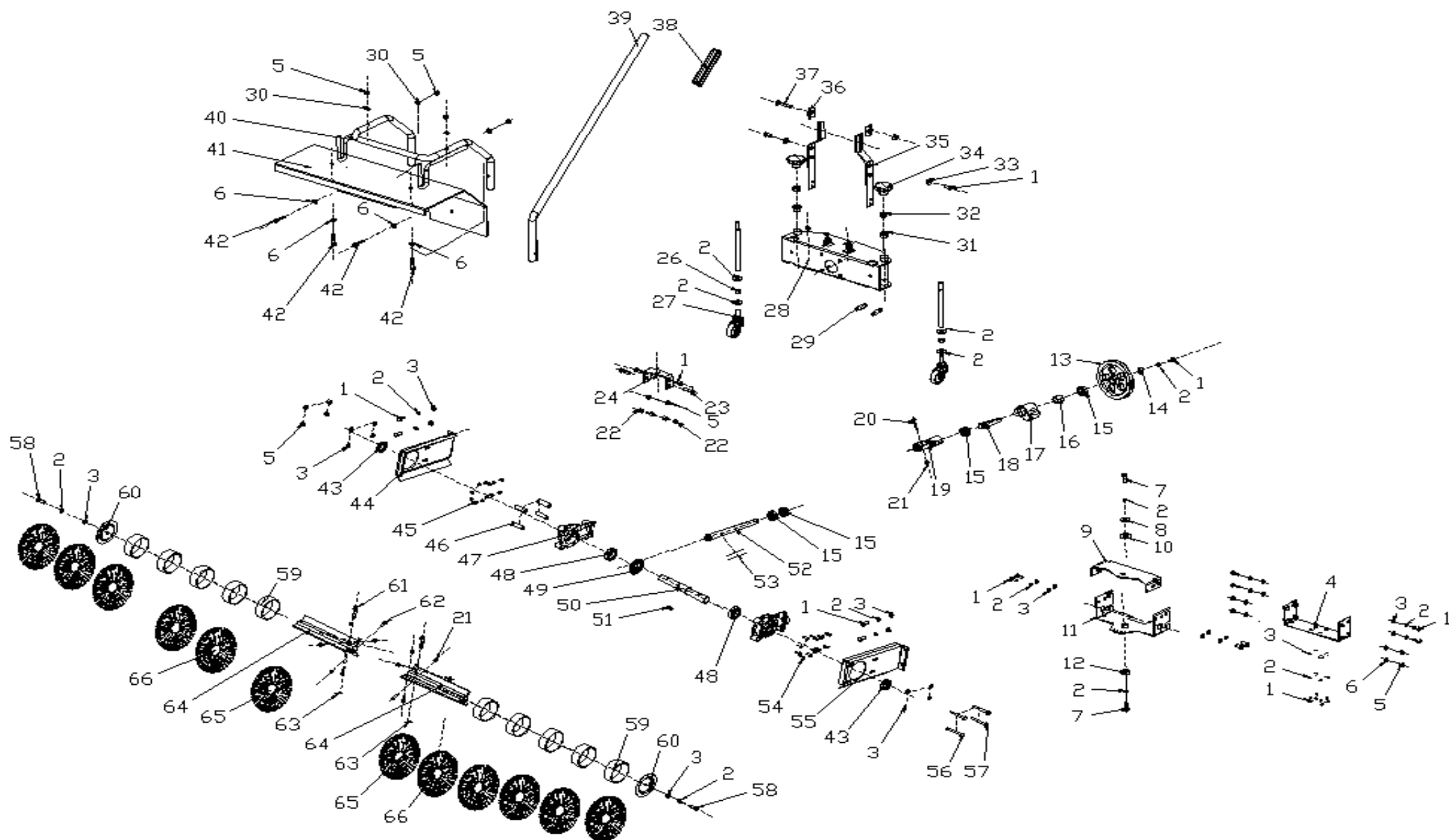
| Č. | Objed. číslo | Název | Name | Ks |
|----|--------------|------------------|------------------------|----|
| 1 | C5NHLCY08 | matice | lock nut | 5 |
| 2 | C5D081615 | podložka | plain cushion | 7 |
| 3 | G160F | motor | engine | 1 |
| 4 | SJ-261 | pružina | spring | 1 |
| 5 | SJ-046-1 | podložka | tight plate convex pad | 1 |
| 6 | C5SWA0008 | pružná podložka | spring washer | 3 |
| 7 | C5HSC0820 | šroub M8x20 | hexagon screw | 2 |
| 8 | SJ-045-1 | držák | tight plate | 1 |
| 9 | C5D082220 | podložka | plain cushion | 1 |
| 10 | SX-11-170B | pouzdro | tight wheel convex pad | 1 |
| 11 | SX-11-170-2 | kladka kompletní | tight wheel assy. | 1 |
| 12 | SJ-008C | podložka | interlay | 3 |
| 13 | C5HSC0840 | šroub M8x40 | hexagon screw | 1 |
| 14 | C5D202515 | podložka | plain cushion | 1 |
| 15 | SJ-049 | řemenice | SJ main syn wheel | 1 |
| 16 | SJ-049-1 | podložka | small wheeled washer | 1 |
| 17 | PG-055 | řemenice | main pulley | 1 |
| 18 | C5D082730 | podložka | plain cushion | 1 |
| 19 | C5HSC0825 | šroub M8x25 | hexagon screw | 1 |
| 20 | SJ-035-1 | pružina | SJ spring 3 | 1 |
| 21 | SB-051 | plochý řemen | syn belt | 1 |
| 22 | C5LB4L-770 | klínový řemen | V belt | 1 |



| Č. | Objed. číslo | Název | Name | Ks |
|----|----------------|-----------------------|-----------------------------|----|
| 1 | C5HSC0625 | šroub | hexagon bolt | 1 |
| 2 | SJ-214 | držák páky rychlosti | Fixed set , gear lever | 1 |
| 3 | C5NHLCY06 | matice | lock nut | 2 |
| 4 | SJ-211 | rameno ovl. rychlosti | Shift frame weldment | 1 |
| 5 | SJ-233 | čep | wire pin | 2 |
| 6 | C5KKX2525 | závlačka | cotter pin | 3 |
| 7 | C5TYX0626 | pružný kolík | elastic cylindrical pin | 1 |
| 8 | SJ-002 | vedení | Right Angle iron | 1 |
| 9 | SJ-040-1 | vidlice | shifting fork | 1 |
| 10 | C5D061207 | podložka | plain cushion | 11 |
| 11 | C5SWA0006 | pružná podložka | spring washer | 8 |
| 12 | C5HSC0610 | šroub M6x10 | hexagon screw | 18 |
| 13 | GPP6562C-01-09 | pružina | spring | 1 |
| 14 | C5HSC0612 | šroub M6x12 | hexagon screw | 3 |
| 15 | SJ-016B | kladka bowdenu | wire pulley | 1 |
| 16 | SJ-016A | držák kladky | pulley mounted plate 1 | 1 |
| 17 | SJ-052 | šroub | hexagon screw 3 | 1 |
| 18 | C5HFNCY06 | matice M6 | flange screw | 6 |
| 19 | C5HSC0620 | šroub | hexagon screw | 1 |
| 20 | SG-001HJ | šasí | case assy. | 1 |
| 21 | C5HSC0630 | šroub M6x30 | hexagon screw | 3 |
| 22 | C5SWA0008 | pružná podložka | spring washer | 5 |
| 23 | C5HSC0820 | šroub M8x20 | hexagon screw | 5 |
| 24 | C5D082820 | podložka | plain cushion | 2 |
| 25 | SJ-119-A | pouzdro kola | wheel shaft sleeve | 4 |
| 26 | SG-071HJ | pouzdro | drive shaft sleeve weldment | 2 |
| 27 | C5NHLCY08 | matice M8 | lock nut | 6 |
| 28 | C5HSC0850 | šroub M8x50 | hexagon screw | 2 |
| 29 | C5D193815 | podložka | plain cushion | 2 |
| 30 | SJ-026 | pouzdro osy kola | End cover collar | 2 |
| 31 | C5B057519 | woodruffovo pero | woodruff key | 1 |
| 32 | C5JTX0430 | pružný kolík | Coiling spring pin | 1 |
| 33 | SG-068 | hřídel pojezdu | drive shaft sleeve | 1 |

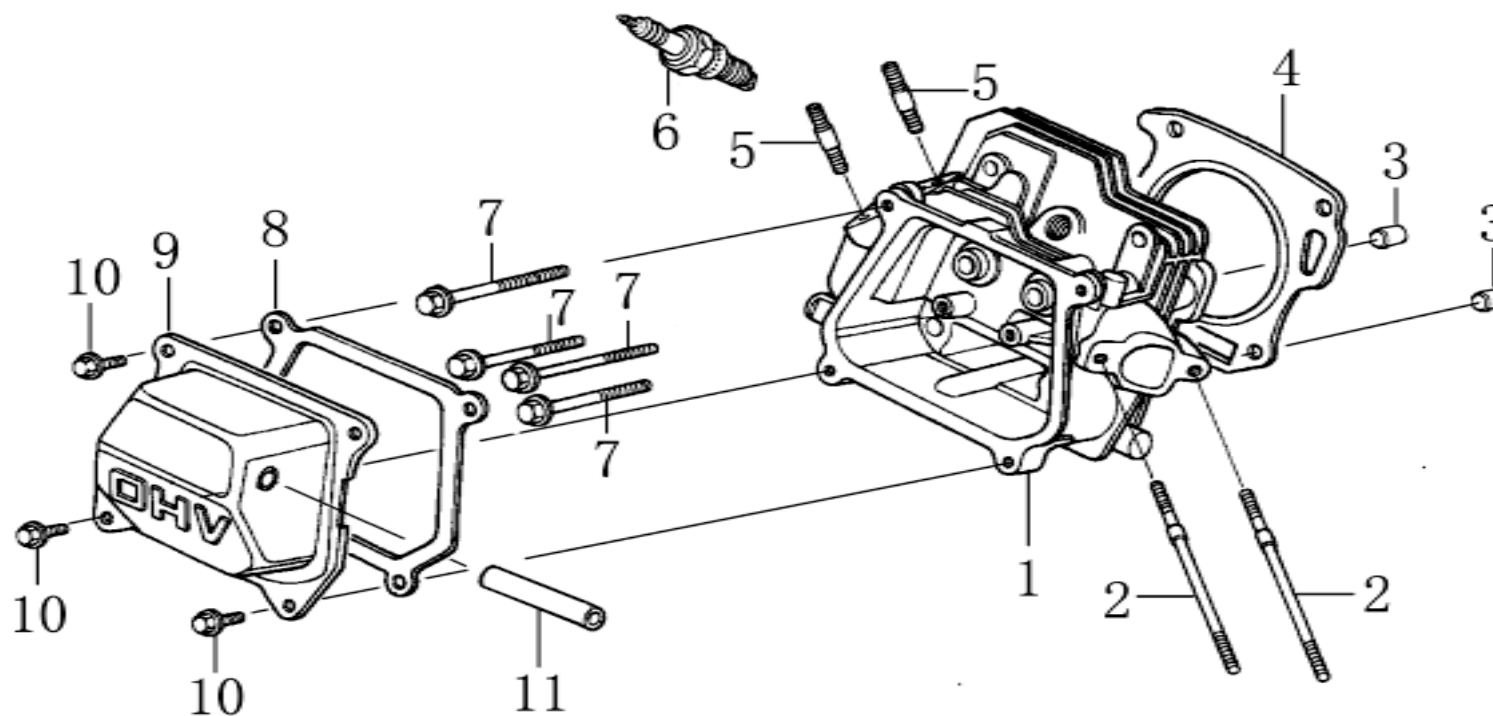
| | | | | |
|-----------|----------------|------------------------|--|---|
| 34 | PG-048 | řemenice pojezdu | big gear wheel | 1 |
| 35 | SG-083 | kolo kompletní | wheel assy. | 2 |
| 36 | WBZPD061812001 | podložka | plain cushion | 8 |
| 37 | C5ZC06203 | podložka | plain cushion | 1 |
| 38 | C5ZC06203 | ložisko 6203 | locking slot deep groove ball bearings | 2 |
| 39 | PG-045 | hřídel variátoru | Hexagon variable-speed shaft | 1 |
| 40 | C5D082820 | podložka | plain cushion | 1 |
| 41 +43 | SJ-010A | kolo pohonu | DRIVE SYNCHRONIZATION WHEEL | 1 |
| 42 | SJ-010B | čep | Drive belt wheel shaft | 1 |
| 44 | C5ZC06203 | ložisko 6203 | deep groove ball bearing | 1 |
| 45 | C5PHC0610 | šroub M6x10 | screw | 6 |
| 46 | SJ-015SD | deska | Friction wheel positioning plate | 1 |
| 47 | PG-069 | pružina | tension spring | 1 |
| 48 | SJ-007 | deska variátoru | pulley support | 1 |
| 49 | C5NHLCY10 | matice M10 | lock nut | 2 |
| 50 | SJ-107 | pouzdro | spacer bush | 1 |
| 51 | C5D132420 | podložka | plain cushion | 1 |
| 52 | C5HFC0612 | šroub M6x12 | hexagon bolt | 4 |
| 53 | SG-008 | horní kryt řemenu | belt upper cover | 1 |
| 54 | SG-004HJ | kryt řemenu | lower cover weldment | 1 |
| 55 | C5D081615 | podložka | plain cushion | 6 |
| 56 | NF-001-14-3B | pružina | tension spring | 1 |
| 57 | SX-11-170-2 | napínací kladka | tension pulley assy. | 1 |
| 58 | SJ-008C | podložka | interlay | 2 |
| 59 | WBZPD102020001 | podložka | plain cushion | 1 |
| 60 | C5CBA0850 | šroub M8x45 | screw | 1 |
| 61 | SG-073HJ | rameno napínací kladky | large tension plate weldment | 1 |
| 62 | SG-080 | podložka | large tension plate pad | 1 |
| 63 | C5HSC0825 | šroub M8x25 | hexagon screw | 1 |
| 64 | C5HSC0860 | šroub M8x65 | hexagon screw | 1 |

| | | | | |
|----|----------------|----------------------|--------------------------|---|
| 65 | WBZFN000008001 | matice M8 | flange nut | 1 |
| 66 | C5ZYKH035 | pojistný kroužek 35 | snap spring | 1 |
| 67 | C5LPM3506 | nýt | aluminium rivet | 4 |
| 68 | SJ-013B | domeček | change wheel shaft cover | 2 |
| 69 | C5ZC06007 | ložisko 6007 | deep groove ball bearing | 1 |
| 70 | SJ-013A | polovina kola pohonu | change wheel washer | 2 |
| 71 | SJ-013-XS | ozubená řemenice | change wheel | 1 |
| 72 | SJ-013D | gumový kroužek | change wheel rubber ring | 1 |
| 73 | SG-003 | spodní kryt | case cover plate | 1 |

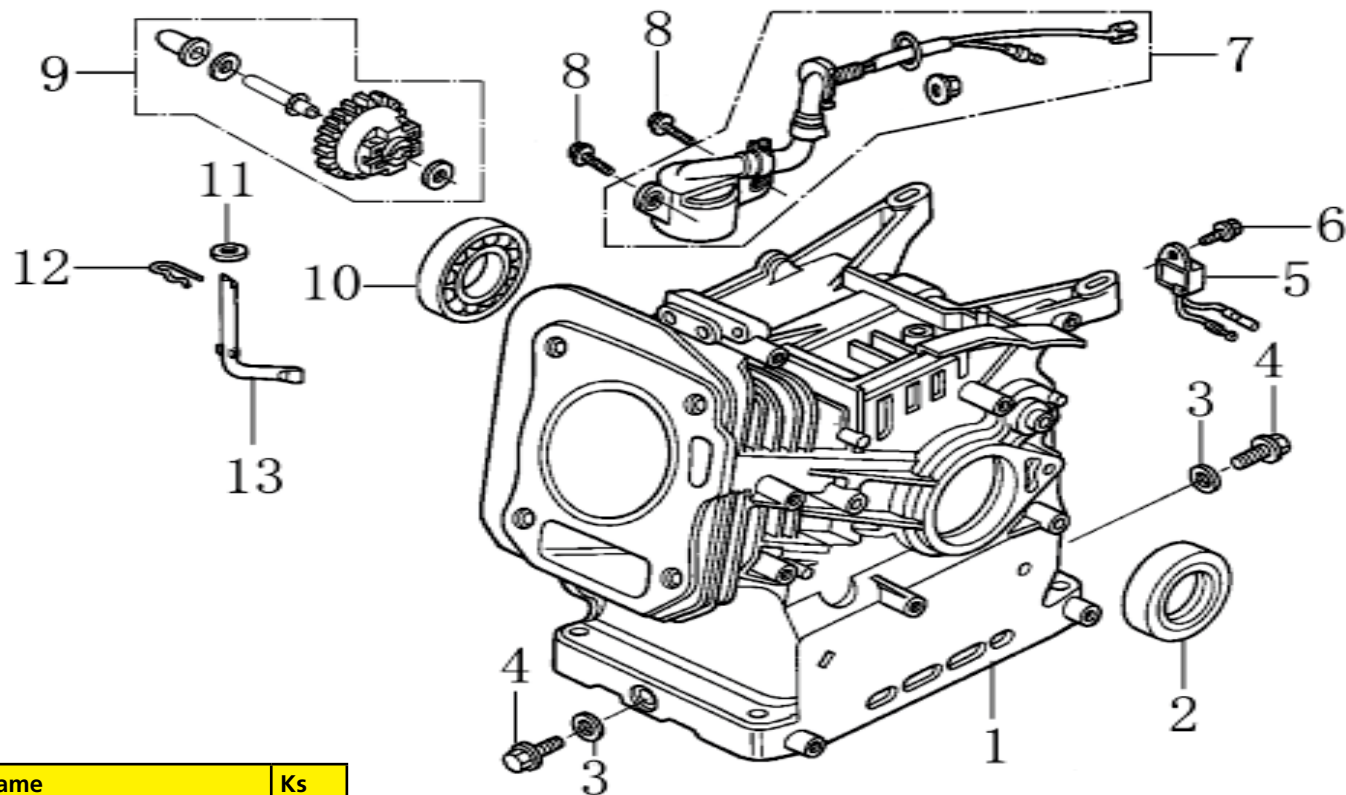


| Č. | Objed. číslo | Název | Name | Ks |
|----|----------------|----------------------|---|----|
| 1 | C5HSC0820 | šroub M8x20 | hexagon screw | 21 |
| 2 | C5SWA0008 | pružná podložka | spring washer | 25 |
| 3 | C5D081615 | podložka | plain cushion | 26 |
| 4 | SG-053HJ | fixační deska | fixed plate weldment | 1 |
| 5 | C5NHLCY08 | matice M8 | lock nut | 16 |
| 6 | SG-073HJ | podložka | big tension plate weldment | 1 |
| 7 | C5HSC1025 | šroub M10x25 | hexagon screw | 2 |
| 8 | C5ZC06203 | podložka | plain cushion | 1 |
| 9 | SG-052HJ | fixační deska horní | upper fixed plate weldment | 1 |
| 10 | SG-047 | podložka | knob pad | 1 |
| 11 | SG-051HJ | fixační deska spodní | down fixed plate weldment | 1 |
| 12 | es-006 | podložka | locating shaft pad | 1 |
| 13 | SG-058 | velká řemenice | big pulley | 1 |
| 14 | C5D082820 | podložka | plain cushion | 1 |
| 15 | C5ZC06003 | ložisko 6003 | deep groove ball bearing | 4 |
| 16 | SG-038 | pouzdro | Spline shaft casing | 1 |
| 17 | SG-012 | držák kladky | big pulley fixator | 1 |
| 18 | SG-039 | drážková hřídel | spline shaft | 1 |
| 19 | SG-066 | kloub | cardan joint assy. | 1 |
| 20 | SG-090 | šroub kloubu | cardan joint latch | 1 |
| 21 | C5NHLCY06 | matice M6 | lock nut | 7 |
| 22 | WBZFN000008001 | matice M8 | flange nut | 2 |
| 23 | C5HSC0830 | šroub M8x30 | hexagon screw | 2 |
| 24 | SG-054HJ | deska | broom steering column fixed plate assy. | 1 |
| 25 | SG-035 | držák | Small wheel bracket | 2 |
| 26 | C5NHLCY010 | matice M8 | screw | 2 |
| 27 | WZZD14060 | pomocné kolo | universal wheel assy. | 2 |
| 28 | SG-050 | otočný nosič | broom head rotation assy. | 1 |
| 29 | es-035 | pružina | tension spring | 2 |
| 30 | C5YXDP008 | podložka | Leaf shape gasket | 2 |
| 31 | SG-045 | pouzdro | Rotating wheel spacer | 2 |
| 32 | C5NHLCY008 | matice M12 | screw | 2 |

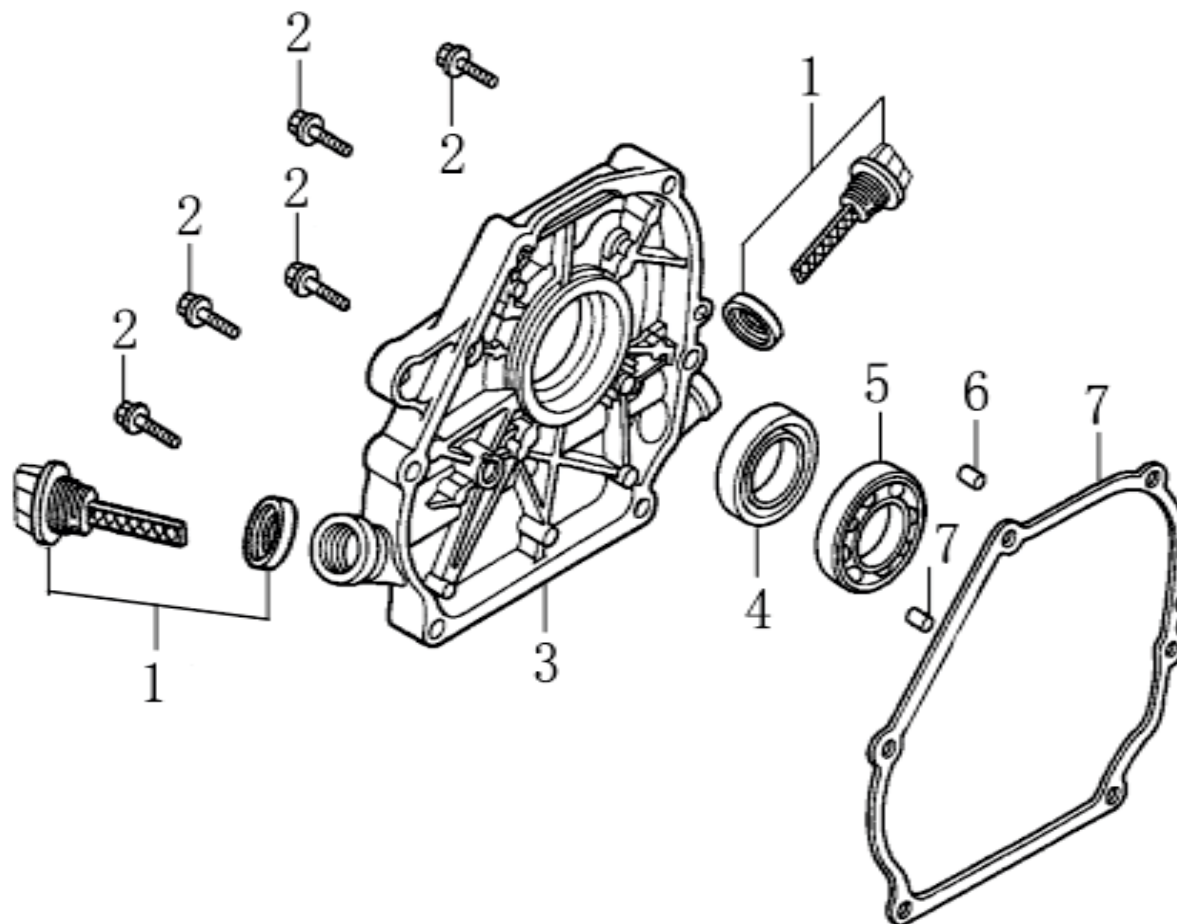
| | | | | |
|----|----------------|-----------------------|-----------------------------|----|
| 33 | SG-055 | pouzdro | diversion spacer | 2 |
| 34 | SG-082 | regulační šroub | regulating handle ball | 2 |
| 35 | SG-015 | držák | Turn head a joystick stator | 2 |
| 36 | FD-04-54 | podložka | Grab bar gasket | 2 |
| 37 | C5HSC1050 | šroub M10x60 | hexagon screw | 1 |
| 38 | SG-P084 | hmatník | grab sets | 1 |
| 39 | es-012 | ovládací páka | positioning handrail | 1 |
| 40 | SG-085HJ | přední rám | Supporting tube weldment | 1 |
| 41 | SG-024 | ochranný kryt | broom ventral sheild | 1 |
| 42 | C5HSC0840 | šroub M8x40 | hexagon screw | 4 |
| 43 | C5Y402507 | gufero 40x25x7 | oil seal | 2 |
| 44 | SG-020 | kryt převodovky pravý | gear case fixator right | 1 |
| 45 | C5NHLCY05 | matice M5 | lock nut | 12 |
| 46 | SG-076 | vložka | Gear box casing connection | 4 |
| 47 | SG-077 | polovina skříně | cone gear case | 2 |
| 48 | C5ZC06005 | ložisko 6005 | deep groove ball bearing | 2 |
| 49 | SG-033 | ozubené kolo | big cone gear | 1 |
| 50 | SG-041 | hřídel šnek. kola | output shaft | 1 |
| 51 | C5C080718 | klínek | C shape plain cushion | 1 |
| 52 | SG-034 | šneková hřídel | main cone gear | 1 |
| 53 | SG-091 | pouzdro hřídele | main cone gear sleeve | 1 |
| 54 | C5SHC0516 | šroub M5x16 | cross screw | 12 |
| 55 | SG-019 | kryt převodovky levý | gear case fixator left | 1 |
| 56 | WBZHS008070001 | šroub M8x70 | hexagon screw | 2 |
| 57 | C5HSC0860 | šroub M8x65 | hexagon screw | 2 |
| 58 | C5HSC0825 | šroub M8x25 | hexagon screw | 2 |
| 59 | SG-031 | pouzdro kartáče | broom plastic sleeve | 10 |
| 60 | SG-025 | podložka kartáče | broom holder | 2 |
| 61 | MI-01.02.042 | čep | latch | 2 |
| 62 | WBZHS006016001 | šroub M6x16 | hexagon screw | 6 |
| 63 | NJ-02 | závlačka | Pin buckle | 2 |
| 64 | SG-021HJ | osa kartáče | broom fixator | 2 |
| 65 | SG-081-2 | kuželový kartáč | Bowl pieces of brush | 2 |
| 66 | SG-081 | rovný kartáč | brush | 16 |



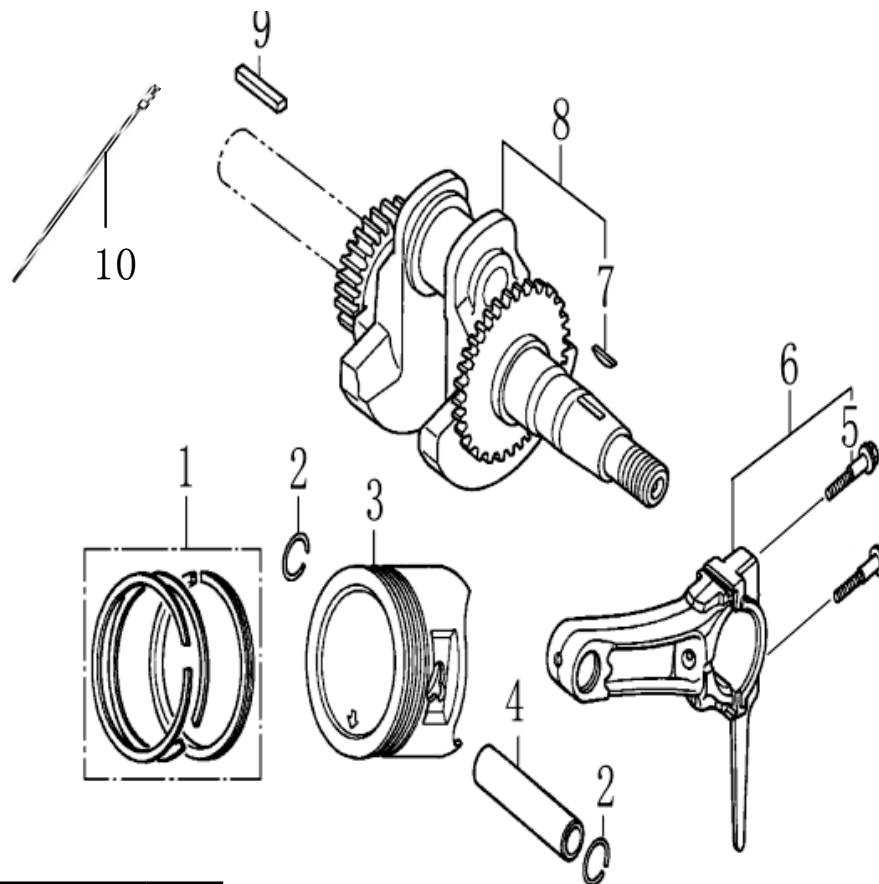
| Č. | Objed. číslo | Název | Name | Ks |
|----|----------------|-----------------------|----------------------|----|
| 1 | 120080276-0001 | hlava válce | HEAD COMP .,CYLINDER | 1 |
| 2 | 380180093-0001 | svorník | BOLT , STUD , IN. | 2 |
| 3 | 380600117-0001 | čep | PIN , DOWEL | 2 |
| 4 | 120150070-0001 | těsnění hlavy | GASKET , CYLINDER | 1 |
| 5 | 380180098-0001 | svorník | BOLT , STUD , EX. | 2 |
| 6 | 270960014-0002 | zapalovací svíčka | PLUG , SPARK | 1 |
| 7 | 380140336-0001 | šroub | BOLT , FLANGE | 4 |
| 8 | 120250013-0001 | těsnění víčka ventilů | PACKING , HEAD COVER | 1 |
| 9 | 120220008-0001 | víčko ventilů | COVER COMP ., HEAD | 1 |
| 10 | 380140215-0003 | šroub | BOLT , FLANGE | 4 |



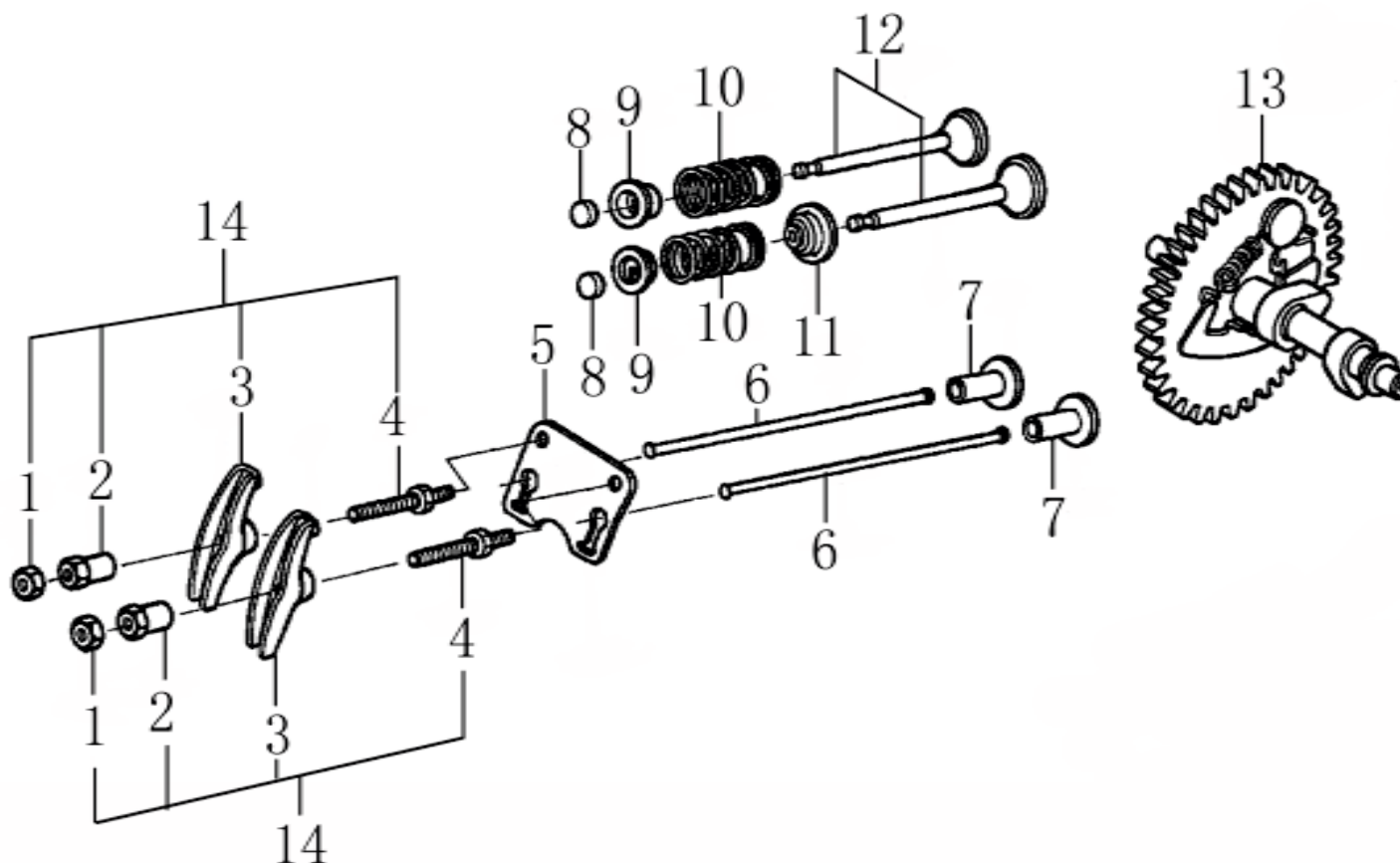
| Č. | Objed. číslo | Název | Name | Ks |
|----|----------------|---------------------|-----------------------|----|
| 1 | 110810006-0001 | blok motoru | CRANK CASE | 1 |
| 2 | 380650490-0001 | gufero | OIL SEAL | 1 |
| 3 | 380450514-0001 | podložka | WASHER , DRAIN PLUG | 2 |
| 4 | 110260025-0001 | šroub | BOLT , DRAIN PLUG | 2 |
| 5 | 281890003-0001 | čidlo | ALART UNIT ,OIL | 1 |
| 6 | 380140011-0004 | šroub | BOLT , FLANGE | 1 |
| 7 | 281850160-0001 | hladinový spínač | OIL LEVEL SWITCH | 1 |
| 8 | 380140215-0003 | šroub | BOLT , FLANGE | 2 |
| 9 | 171750002-0001 | regulátor otáček | GOVERNOR GEAR ASSY. | 1 |
| 10 | 380630137-0002 | ložisko | BEARING , RADIAL BALL | 1 |
| 11 | 380450531-0001 | podložka | WASHER , PLAIN | 1 |
| 12 | 381350004-0001 | závlačka | PIN , LOCK | 1 |
| 13 | 171630001-0001 | ovl. osa regulátoru | SHAFT , GOVERNOR ARM | 1 |



| Č. | Objed. číslo | Název | Name | Ks |
|----|----------------|---------------------|------------------------|----|
| 1 | 110690035-0001 | olejová měrka | GAUGE ASSY., OIL LEVEL | 2 |
| 2 | 380140028-0004 | šroub | BOLT , FLANGE | 6 |
| 3 | 110820014-0001 | víko motoru | CASE COVER | 1 |
| 4 | 380650491-0001 | gufero | OIL SEAL | 1 |
| 5 | 380630137-0002 | ložisko | BEARING | 1 |
| 6 | 380600120-0001 | čep | PIN , DOWEL | 2 |
| 7 | 110830007-0001 | těsnění víka motoru | PACKING , CASE COVER | 1 |

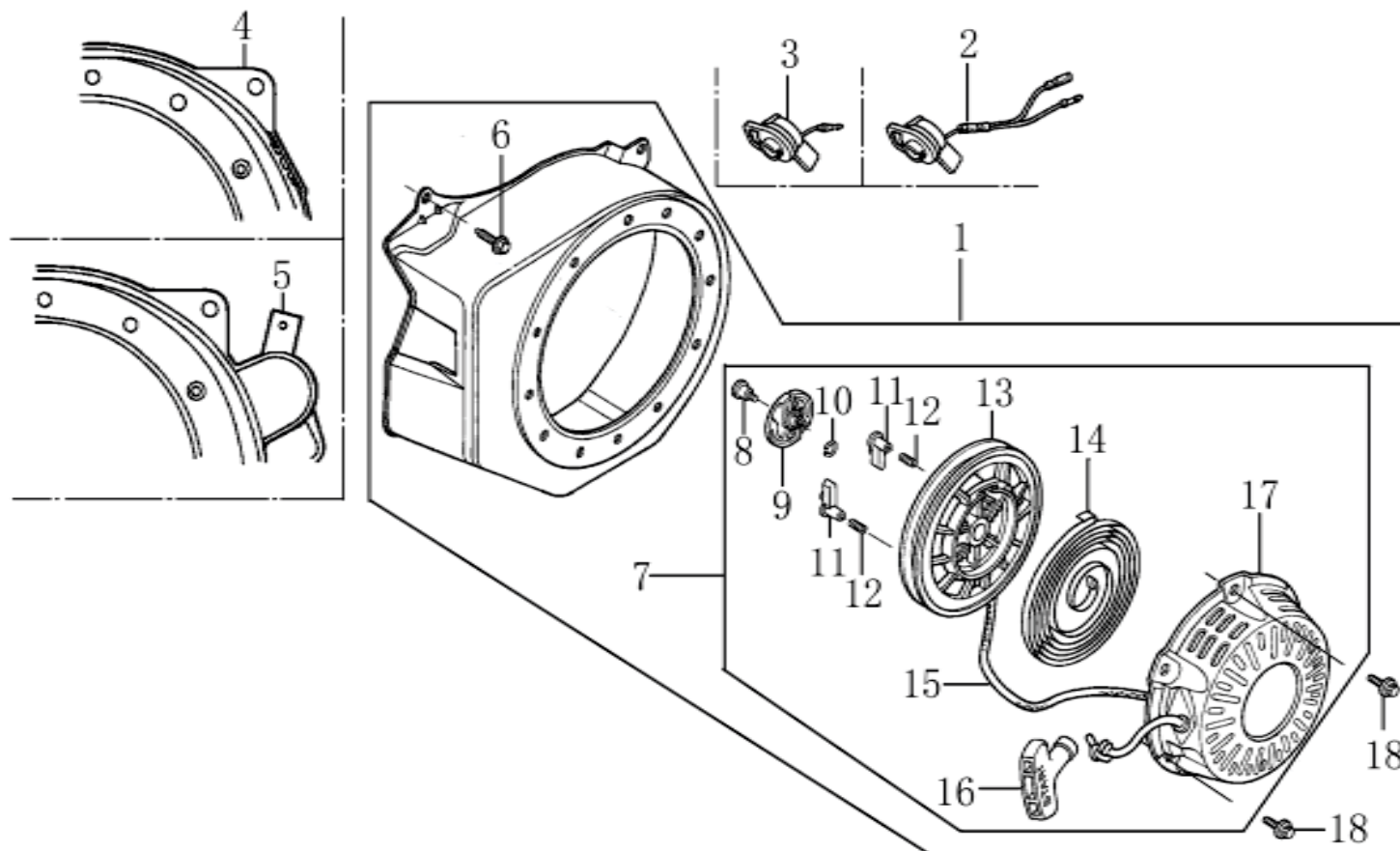


| Č. | Objed. číslo | Název | Name | Ks |
|----|----------------|---------------------|------------------------|----|
| 1 | 130070079-0001 | pístní kroužky | RING SET | 1 |
| 2 | 380560056-0001 | pojistka píst. čepu | CLIP , PISTON PIN | 2 |
| 3 | 130030083-0001 | pístní | PISTON | 1 |
| 4 | 130060031-0001 | pístní čep | PIN , PISTON | 1 |
| 5 | 130180001-0001 | šroub | BOLT,CONNECTING ROD | 2 |
| 6 | 130150039-0001 | ojnice kompletní | ROD ASSY ., CONNECTING | 1 |
| 7 | 380620050-0001 | woodruffovo pero | KEY | 1 |
| 8 | 130290097-0001 | klikový hřídel | CRANKSHAFT COMP | 1 |
| 9 | 380620040-0001 | pero | KEY | 1 |
| 10 | 380900062-0001 | zdrhovací páska | HOOP STRIP | 1 |



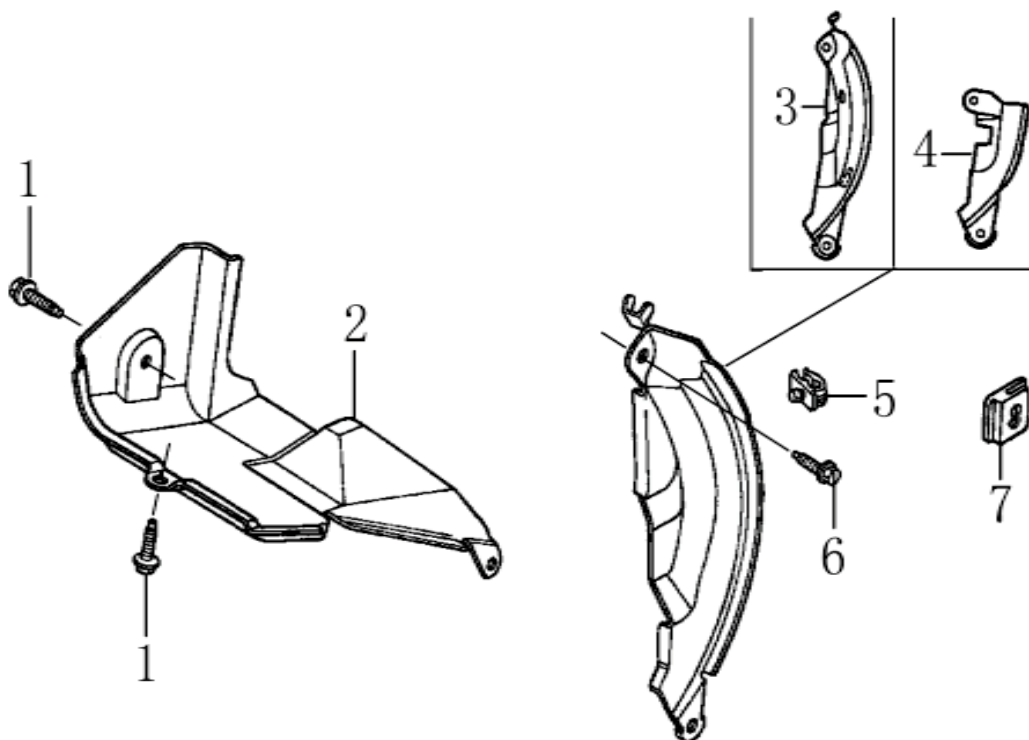
| Č. | Objed. číslo | Název | Name | Ks |
|----|----------------|---------------------------|------------------------|----|
| 1 | 140470001-0001 | matice | NUT , PIVOT ADJUSTING | 2 |
| 2 | 140490012-0001 | seřizovací matice ventilu | PIVOT , ROCKER ARM | 2 |
| 3 | 140460030-0001 | vahadlo ventilu | ARM , VALVE ROCKER | 2 |
| 4 | 140480012-0001 | svorník ventilu | BOLT , PIVOT ARM | 2 |
| 5 | 140710001-0001 | vodící deska | PLATE , PUSH ROD GUIDE | 1 |
| 6 | 140670004-0001 | tyčka zdvihu | ROD , PUSH | 2 |
| 7 | 140690003-0001 | palec zdvihu | LIFTER , VALVE | 2 |

| | | | | |
|----|----------------|------------------------|-------------------------|---|
| 8 | 140320001-0001 | vymezovací pouzdro | RATATOR , VALVE | 2 |
| 9 | 140380017-0001 | zajišťovací podložka | RETAINER , VALVE SPRING | 2 |
| 10 | 140340022-0001 | pružina ventilu | SPRING , VALVE | 2 |
| 11 | 140400011-0001 | gufero | SEAL , GUIDE | 1 |
| 12 | 500550024-0001 | ventily | VALVE COMP. | 1 |
| 13 | 140020040-0001 | vačkový hřídel | CAMSHAFT ASSY. | 1 |
| 14 | 140450022-0001 | vahadlo ventilu kompl. | ARM COMP. | 2 |

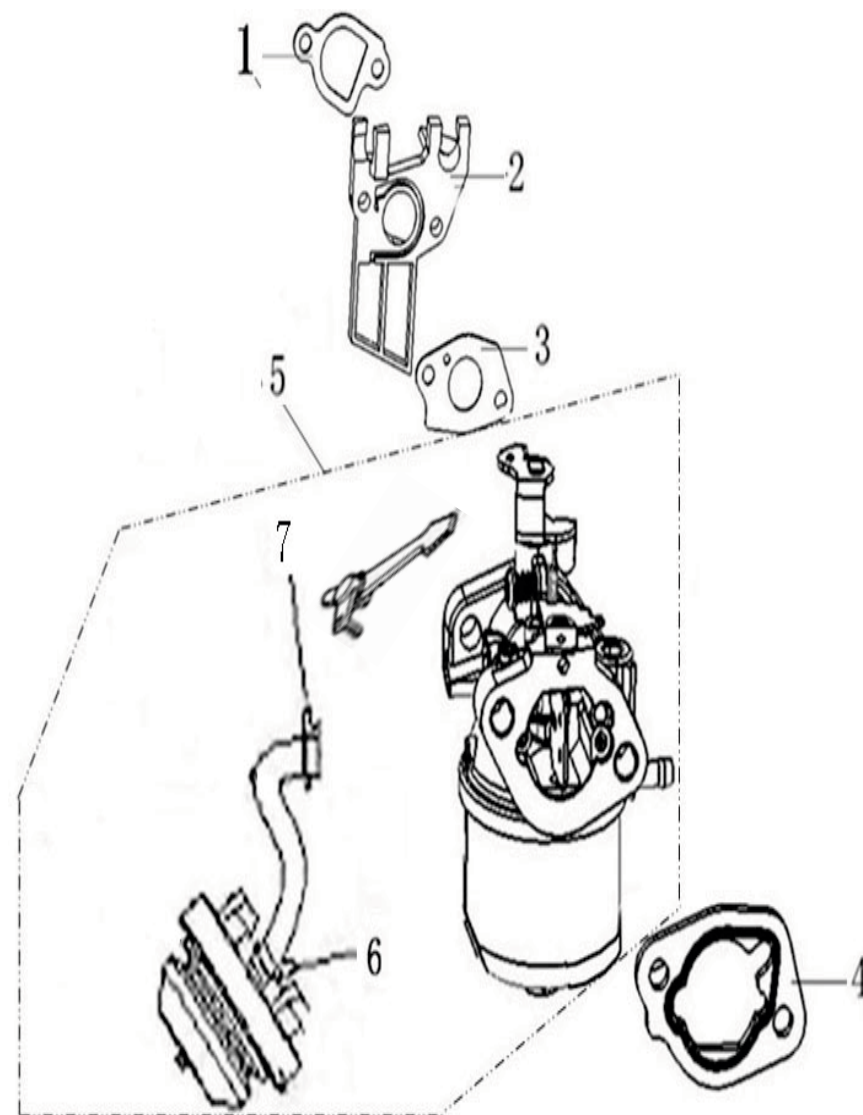


| Č. | Objed. číslo | Název | Name | Ks |
|----|----------------|---------------------------|---------------------------|----|
| 1 | 193490021-0001 | kryt ventilátoru kompl. | RECOIL STARTER COMP. | 1 |
| 3 | 271660030-0001 | vypínač motoru | SWITCH ASSY., ENGINE STOP | 1 |
| 4 | 160210005-0002 | přídavný kryt ventilátoru | COVER COMP ., FAN | 1 |
| 6 | 380140011-0004 | šroub | BOLT , FLANGE | 4 |
| 7 | 193500031-0001 | startér kompletní | STARTER ASSY. | 1 |
| 8 | 380020067-0001 | šroub | SCREW , SETTING | 1 |
| 9 | 193550003-0001 | excentrická podložka | GUIDE , RATCHET | 1 |

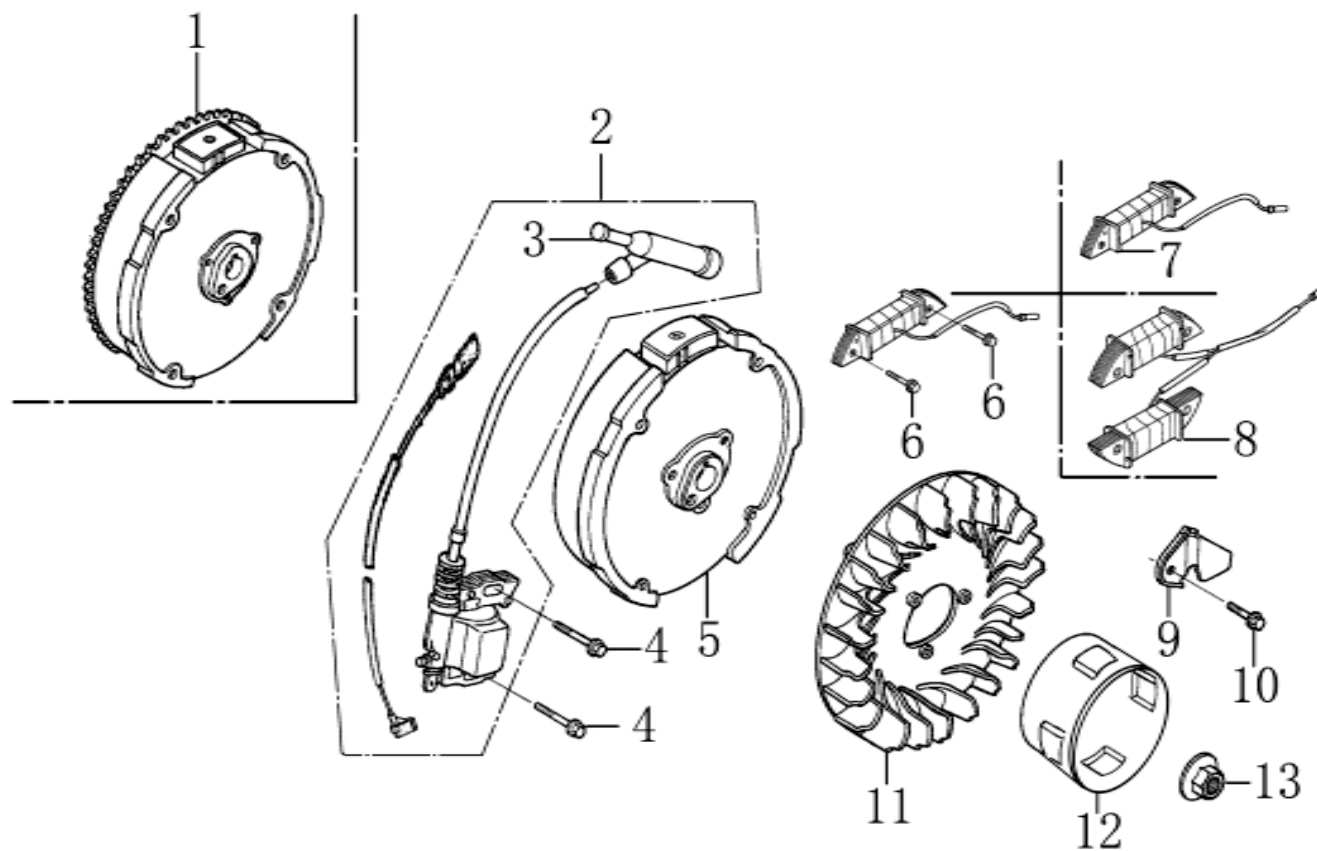
| | | | | |
|----|----------------|------------------|-------------------------|---|
| 10 | 381150342-0001 | pružná podložka | SPRING , FRICTION | 1 |
| 11 | 193540003-0001 | západka | RATCHET , STARTER | 2 |
| 12 | 381160090-0001 | pružina západky | SPRING , RETURN | 2 |
| 13 | 193520003-0001 | kladka startéru | REEL , RECOIL STARTER | 1 |
| 14 | 193340018-0001 | pružina startéru | SPRING , RECOIL STARTER | 1 |
| 15 | 193530011-T040 | sratovací šňůra | ROPE | 1 |
| 16 | 193560006-0001 | šroub | KNOB , RECOIL STARTER | 1 |
| 17 | 193640002-T040 | kryt startéru | COVER COMP ., FAN | 1 |
| 18 | 380140089-0003 | šroub | BOLT , FLANGE | 3 |



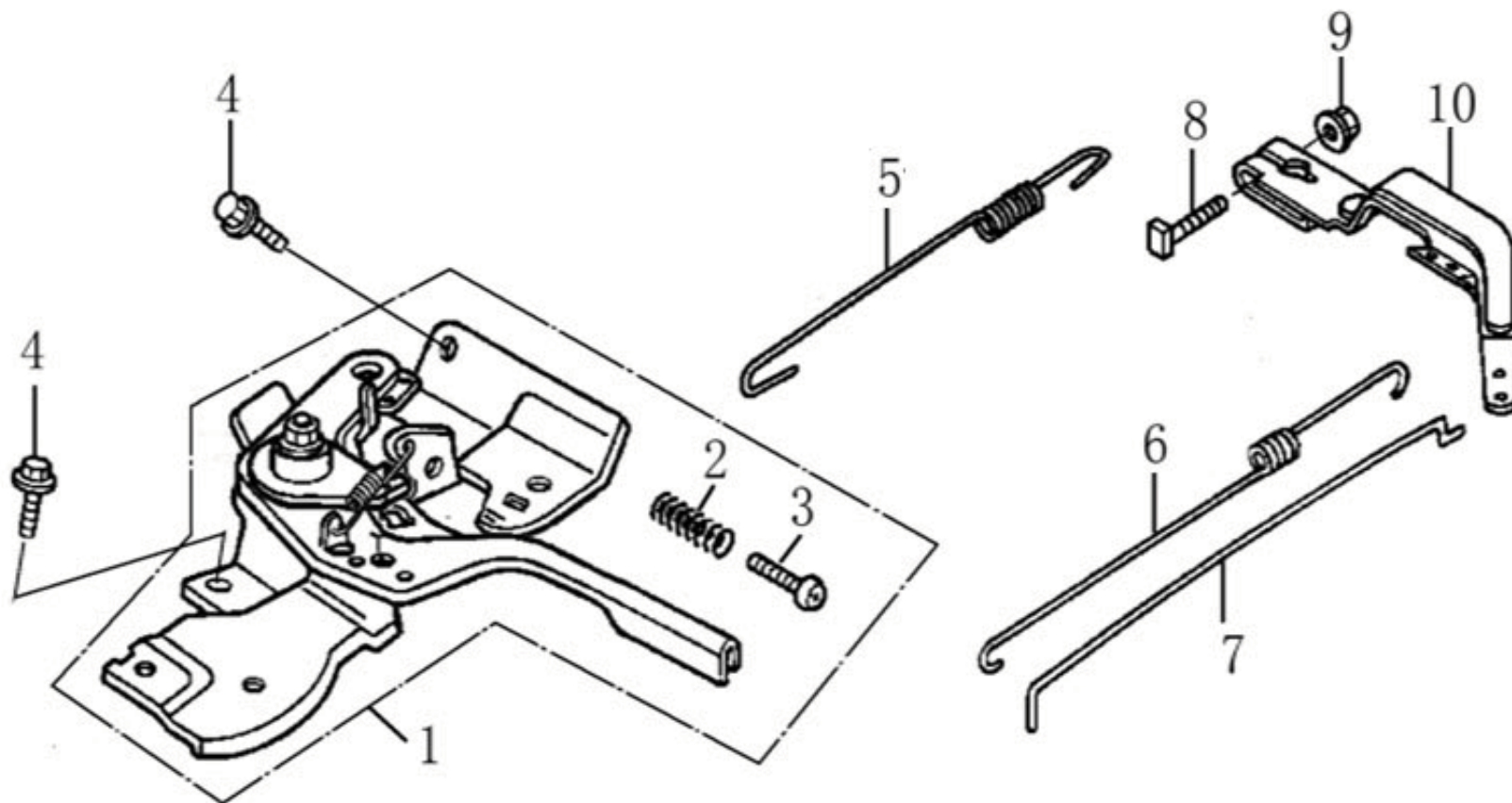
| Č. | Objed. číslo | Název | Name | Ks |
|----|----------------|-------------------|---------------|----|
| 1 | 380140089-0003 | šroub | BOLT , FLANGE | 2 |
| 2 | 160190009-0001 | kryt | SHROUD COMP | 1 |
| 3 | 160200011-0001 | kryt setrvačnicku | PLATE , SIDE | 1 |
| 5 | 140280001-0001 | svorka | CLIP,HARNESS | 1 |
| 6 | 380140003-0005 | šroub | BOLT , FLANGE | 1 |



| Č. | Objed. číslo | Název | Name | Ks |
|----|----------------|------------------------|----------------------------|----|
| 1 | 170430060-0001 | těsnění sání | PACKING , INSULATOR | 1 |
| 2 | 170440038-0001 | vložka sání | INSULATOR , CARBURETOR | 1 |
| 3 | 170430048-0001 | těsnění karburátoru | PACKING ., CARBURETOR | 1 |
| 4 | 170430065-0001 | těsnění vzduch. filtru | SPACER COMP ., AIR CLEANER | 1 |
| 5 | 170021087-0001 | karburátor kompl. | CARBURETOR | 1 |
| 6 | 170260010-T040 | primer | STARTING VALVE | 1 |
| 7 | 380750461-T040 | palivová hadička | TUBE , FUEL | 1 |

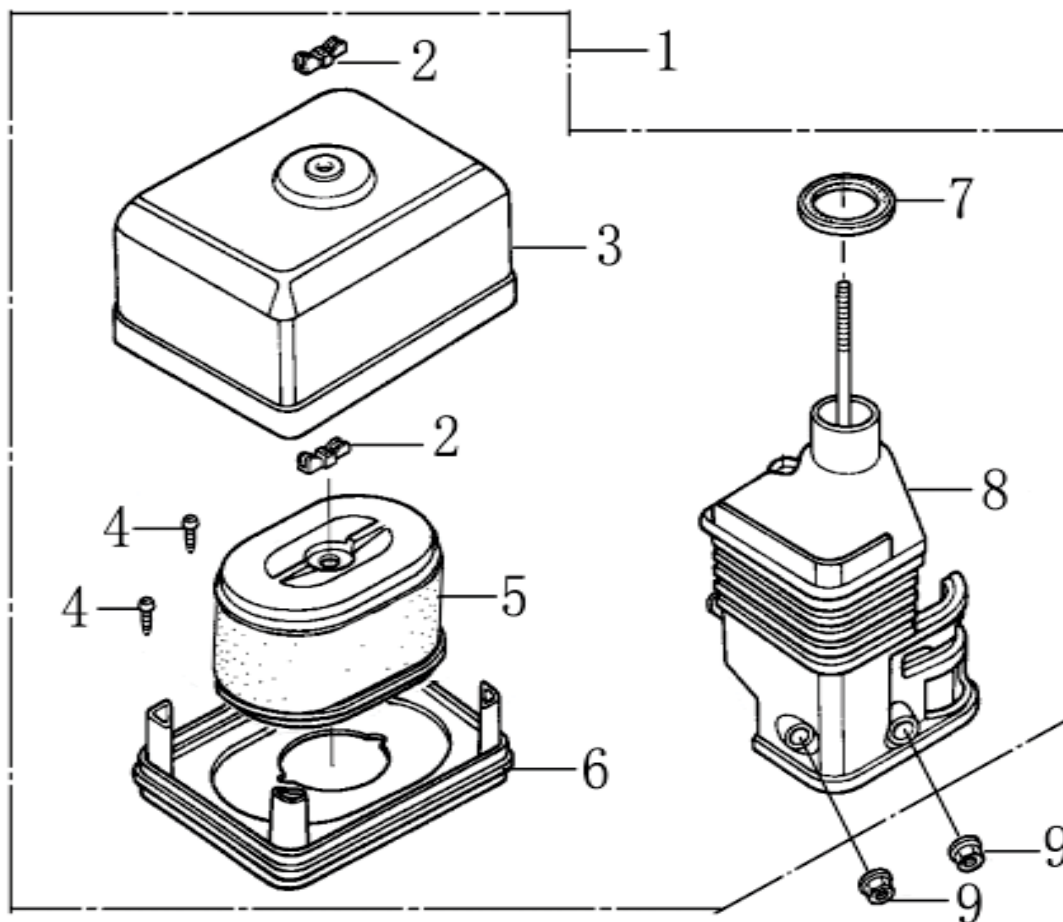


| Č. | Objed. číslo | Název | Name | Ks |
|----|----------------|----------------------|-------------------------------|----|
| 2 | 270920180-0001 | zapalovací cívka | COIL ASSY ., IGNITION | 1 |
| 3 | 270950042-0001 | kryt kontaktu svíčky | CAP ASSY ., NOISE SUPP-RESSOR | 1 |
| 4 | 380140102-0004 | šroub | BOLT , FLANGE | 2 |
| 5 | 270020097-0001 | setrvačnik | FLYWHEEL COMP | 1 |
| 11 | 160180007-0001 | ventilátor | FAN , COOLING | 1 |
| 12 | 193590005-0001 | miska startéru | PULLEY , STARTER | 1 |
| 13 | 380370051-0001 | matice | NUT , SPECIAL | 1 |



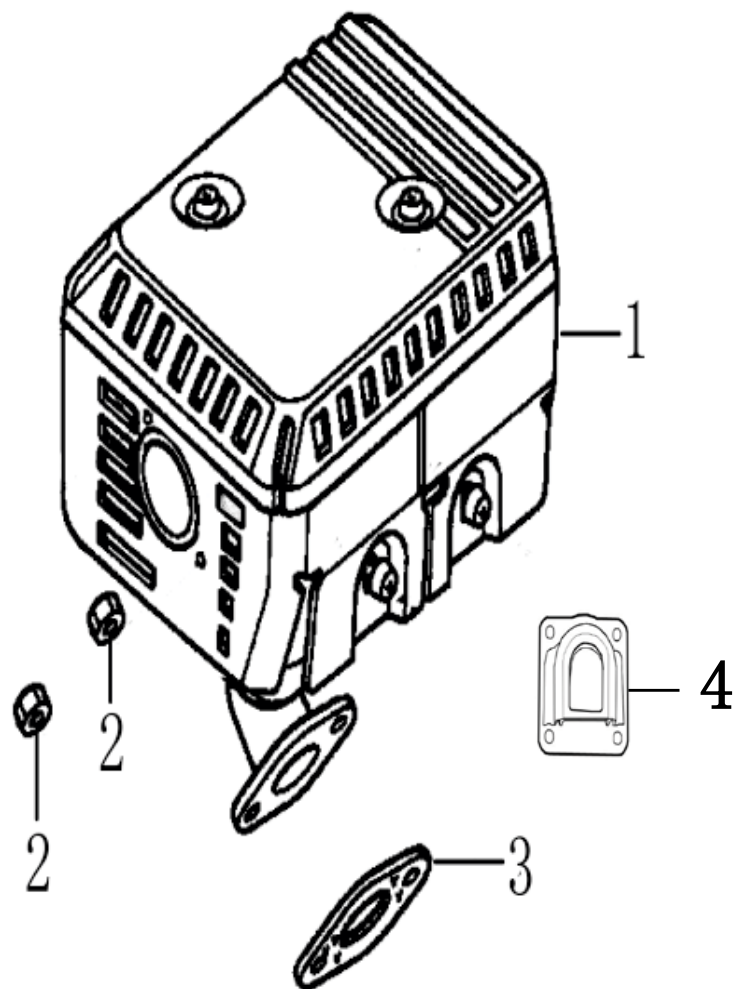
| Č. | Objed. číslo | Název | Name | Ks |
|----|----------------|---------------------|-------------------------|----|
| 1 | 171680028-0001 | brzda motoru kompl. | CONTROL ASSY. | 1 |
| 2 | 171660001-0001 | pružina | SPRING | 1 |
| 3 | 380200017-0005 | šroub 5x35 | SCREW , 5x35 | 1 |
| 4 | 380140011-0004 | šroub | BOLT, FLANGE | 2 |
| 5 | 171600053-0001 | pružina plynu | SPRING, GOVERNOR | 1 |
| 6 | 171610002-0001 | pružina | SPRING, THROTTLE RETURN | 1 |
| 7 | 171590002-0001 | táhlo | ROD, GOVERNOR | 1 |

| | | | | |
|----|----------------|-------------|---------------------|---|
| 8 | 380250002-0001 | šroub | BOLT, QUADRATE HEAD | 1 |
| 9 | 380370048-0001 | matice | NUT, FLANGE | 1 |
| 10 | 171620001-0001 | táhlo plynu | ARM, GOVERNOR | 1 |

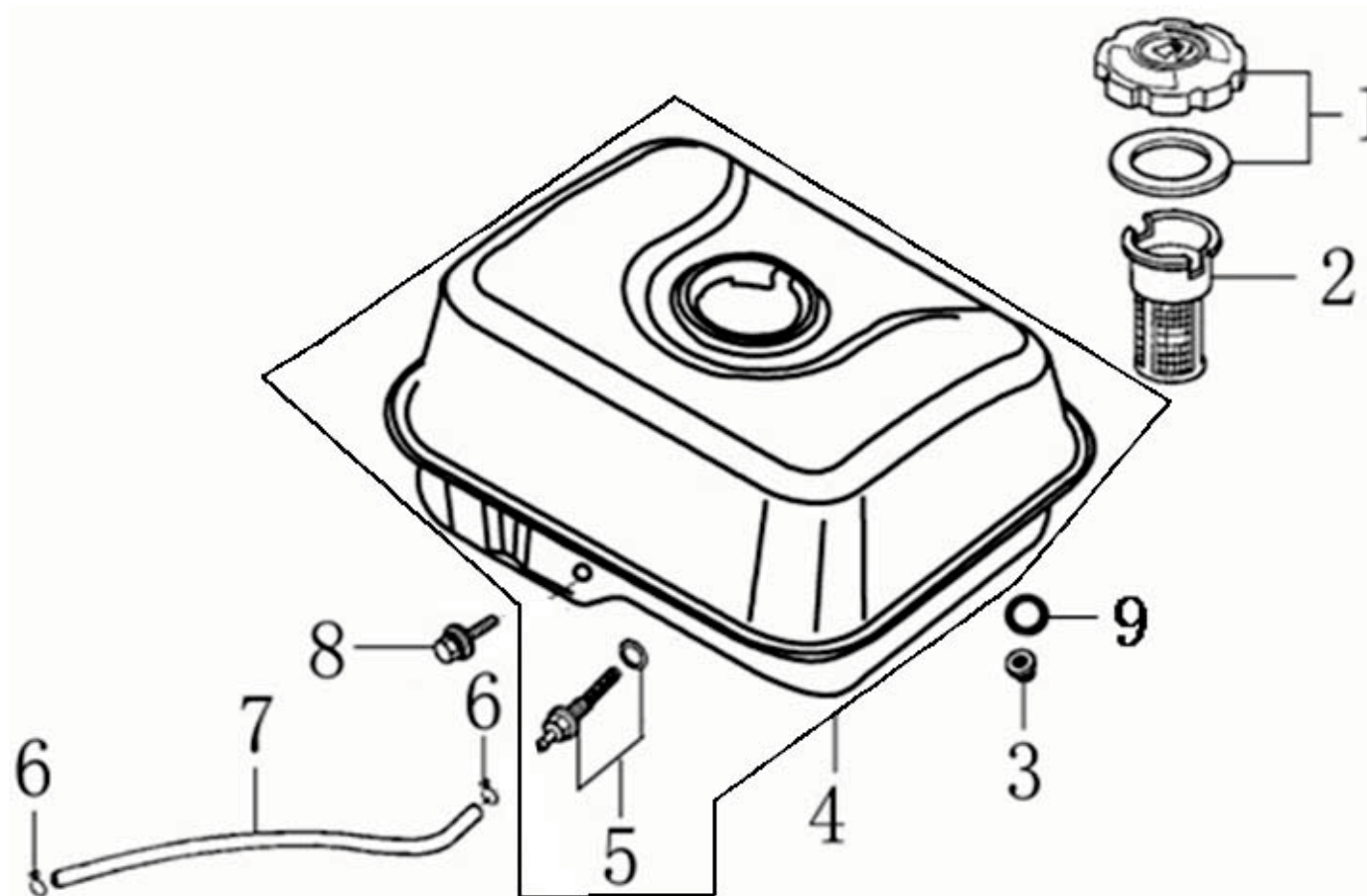


| Č. | Objed. číslo | Název | Name | Ks |
|----|----------------|------------------------|-----------------------------|----|
| 1 | 180020462-0001 | vzduchový filtr kompl. | AIR CLEANER ASSY | 1 |
| 2 | 380440002-0001 | křídlová matice | NUT , TOOL BOX SETTING | 2 |
| 3 | 180070096-0001 | víko vzd. filtru | COVER , AIR CLEANER | 1 |
| 4 | 380310015-0005 | šroub | SCREW | 2 |
| 5 | 180100034-0001 | vzduch. filtr | ELEMENT ASSY. , AIR CLEANER | 1 |

| | | | | |
|---|----------------|------------------------|--------------------------|---|
| 6 | 180330018-0001 | skříň vzduch. filtru | NOSE , SILENCER | 1 |
| 7 | 380840437-0001 | těsnění | PACKING , ELBOW | 1 |
| 8 | 180280001-0001 | příruba vzduch. filtru | ELBOW COMP., AIR CLEANER | 1 |
| 9 | 380370048-0001 | matice | NUT , FLANGE | 2 |

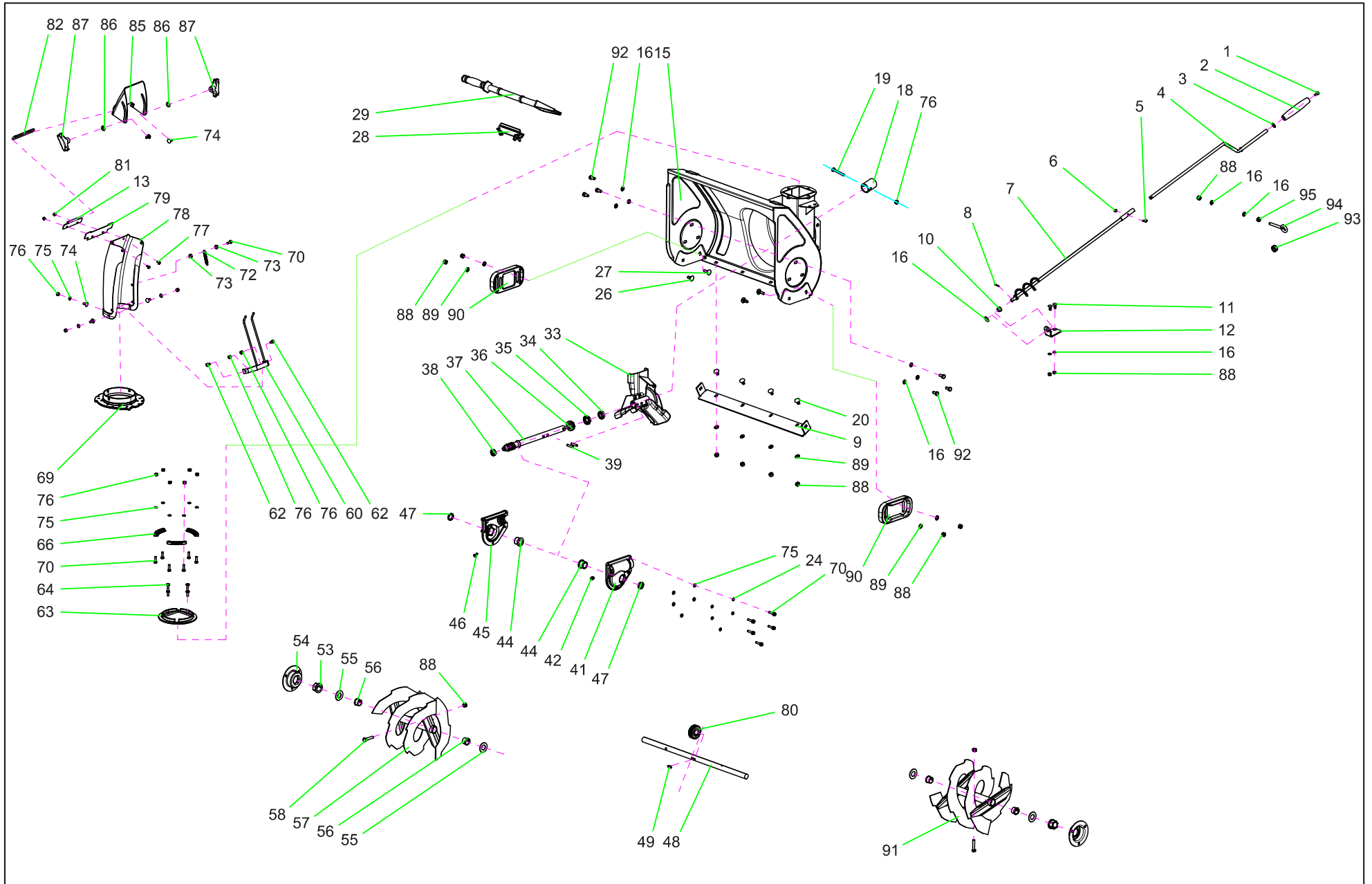


| Č. | Objed. číslo | Název | Name | Ks |
|----|----------------|----------------|--------------------|----|
| 1 | 180571475-0001 | výfuk | MUFFLER ASSY. | 1 |
| 2 | 380340005-0005 | matice | NUT, HEX. | 2 |
| 3 | 180650065-0001 | těsnění výfuku | GASKET , MUFFLER | 1 |
| 4 | 181900001-0001 | směrová klapka | COVER,EXHAUST PIPE | 1 |



| Č. | Objed. číslo | Název | Name | Ks |
|----|--------------------------------------|----------------|-------------------------|----|
| 1 | 170870040-0001 | palivová zátka | CAP COMP ., FUEL FILLER | 1 |
| 2 | 170720002-0001 | vtupní sítko | FILTER , FUEL | 1 |
| 3 | 380370048-0001 | matice | NUT , FLANGE | 2 |
| 4 | "170500522-0001 (170660077-0001)" | palivová nádrž | TANK COMP ., FUEL | 1 |

| | | | | |
|---|----------------|---------------------|-------------------------|---|
| 5 | | vývod nádrže | JOINT ASSY. , FUEL TANK | 1 |
| 6 | 380950188-0001 | svorka pal. hadičky | CLIP , TUBE | 2 |
| 7 | 380750180-0001 | pal. hadička | TUBE , FUEL | 1 |
| 8 | 380140102-0004 | šroub | BOLT , FLANGE | 1 |
| 9 | 380920086-0001 | podložka | WASHER,RUBBER | 2 |



| Č. | Objed. číslo | Název | Name | Ks |
|----|--------------------|------------------------|--------------------------------|----|
| 1 | HFB-6*12 | šroub M6x12 | Flange Hexagon bolt | 1 |
| 2 | SJ-018 | madlo | SJ handle sleeve | 1 |
| 3 | FB-6*18*1.5 | podložka | flat mat | 1 |
| 4 | PG-065 | ovládání komínu horní | discharge chute rocker | 1 |
| 5 | B-4008 | šroub M5x20 | cross pan head screw | 1 |
| 6 | M-05 | matice M5 | lock nut | 1 |
| 7 | XA-04-102 | ovládání komínu spodní | RockerA | 1 |
| 8 | SB-080 | čep | pin | 1 |
| 9 | PG-019 | shrnovací lišta | long baffle plate | 1 |
| 10 | SJ-011A | pouzdro | SJ mounting plate plastic ring | 1 |
| 11 | SB-081 | šroub M8x20 | half round screw | 2 |
| 12 | SJ-011XS | držák ovl. komínu | small mounting plate | 1 |
| 13 | | | up hinge | 1 |
| 15 | SG-057HJ/PG040HJ-2 | bunkr | steel cover/chute base | 1 |
| 16 | SB-025 | podložka | flat mat | 11 |
| 18 | SG-040 | pouzdro | spline housing | 1 |
| 19 | S-06x35 | šroub M6x35 | screw M6 | 1 |
| 20 | SB-110 | šroub M8x16 | step screw | 4 |
| 24 | SB-097 | pružná podložka | M6 spring washer | 5 |
| 26 | SV-06*20 | šroub M8x20 | step screw | 2 |
| 27 | SV-06*25 | šroub M8x25 | step screw | 2 |
| 28 | SJ-151 | držák škrabky | shovel base | 1 |
| 29 | SJ-150 | škrabka | plastic shovel | 1 |
| 33 | PG-034HJ | ventilátor | fan | 1 |
| 34 | SB-102 | gufero 20x32x6 | oil seal | 1 |
| 35 | SB-100 | ložisko 6804 | deep groove ball bearing | 1 |
| 36 | SB-101 | ložisko 651104 | single thrust ball bearing | 1 |
| 37 | SG-056 | šneková hřídel | worm wheel shaft | 1 |
| 38 | 6901 | ložisko 6901 | deep groove ball bearing | 1 |
| 39 | SB-103 | pružný kolík 30x6 | spring pin | 2 |
| 41 | PG-007 | polovina skříně | worm gear box B | 1 |
| 42 | | maznička | oil nipple | 1 |

| | | | | |
|----|--------------|----------------------|-------------------------|----|
| 44 | SJ-108 | pouzdro převodovky | SJ out-put shaft | 2 |
| 45 | PG-004 | polovina skříně | worm gear box A | 1 |
| 46 | | šroub M6x10 | cross head screw | 1 |
| 47 | SB-165 | gufero 30x19x7 | oil seal | 2 |
| 48 | PG-003 | hřídel šneku | out-put shaft | 1 |
| 49 | SB-018 | klínek | half round key | 1 |
| 53 | SJ-020 | pouzdro | SJ shaft sleeve | 2 |
| 54 | SJ-024 | domeček ložiska | SJ bearing cover | 2 |
| 55 | SB-093 | podložka | flat mat | 4 |
| 56 | SJ-019 | pouzdro šneku | SJ drive shaft sleeve | 4 |
| 57 | PG-015HJ | pravý šnek | right auger | 1 |
| 58 | SJ-070 | pojistný šroub M8*38 | Non-standard screws | 2 |
| 60 | XA-04-48 | mřížka výhozu | bending rod set | 1 |
| 62 | SB-108 | šroub M6x16 | hexagonal screw | 2 |
| 63 | PG-005 | kroužek komínu | chute base plastic ring | 1 |
| 64 | S-06*16 | šroub M6x16 | cross head screw | 4 |
| 66 | | podložka komínu | chute washer | 3 |
| 69 | PG-006 | věvec ovl. komínu | chute base | 1 |
| 70 | SB-096 | šroub M6x20 | hexagonal screw | 12 |
| 72 | SJ-036 | pružina klapky | SJ spring 4 | 1 |
| 73 | M-06 | matice M6 | flange face bolt | 2 |
| 74 | SV-06*16 | šroub M6x16 | half round screw | 5 |
| 75 | P-06 | podložka | M6 flat gasket | 14 |
| 76 | SB-138 | matice M6 | lock nut | 12 |
| 77 | S-05*12 | šroub M5x12 | cross head screw | 2 |
| 78 | PG-058 | komín výhozu | down chute | 1 |
| 79 | SX-11-400-12 | gumová podložka | chute rubber washer | 1 |
| 80 | PG-002 | kolo převodu | worm wheel | 1 |
| 81 | M-05 | matice M5 | lock nut | 2 |
| 82 | | osa klapky | Chute assembly | 1 |
| 85 | PG-059 | klapka | chute cap | 1 |
| 86 | SJ-200-8 | podložka | chute nylon washer | 2 |
| 87 | | křídlová matice | lock hand | 2 |
| 88 | M-08 | matice M8 | M8 lock screw | 13 |

| | | | | |
|----|----------|------------------------|-----------------------------|---|
| 89 | SB-088 | podložka | flat mat | 8 |
| 90 | PG-028 | skluz | skid | 2 |
| 91 | PG-039HJ | pravý šnek | right auger | 1 |
| 92 | SB-095 | šroub M8x10 | hexagonal screw | 6 |
| 93 | SJ-044C | průchodka | SJ rotating rod rubber ring | 1 |
| 94 | SJ-044B | závěs madla startování | SJ rotating rod | 1 |
| 95 | SB-007 | matice M8 | hex nut | 1 |

| Č. | Objed. číslo | Název | Name | Ks |
|----|----------------------|----------------|--|----|
| 1 | | závlačka | Pin buckle | 1 |
| 2 | M-08 | matice M8 | M8 lock nut | 3 |
| 3 | SG-084 | pouzdro | shoe plate of snow shovel for reinforcing sleeve | 1 |
| 4 | SSG55100APL.06.01 | | The hanging bracket | 2 |
| 4 | SSG55100APL.06.01-01 | závěsná deska | Hanging board | 2 |
| 4 | SSG55100APL.06.01-02 | pouzdro závěsu | Hanging sleeve | 2 |
| 5 | S-08*25 | šroub M8x25 | M8X25 Hexagon screw | 2 |
| 6 | SG-082 | deska závěsu | shoe plate of snow shovel | 2 |
| 7 | S-08*70 | šroub M8x70 | M8X70 Hexagon screw | 1 |
| 8 | SG-086 | čep | snow shovel pin | 1 |
| 9 | SG-088HJ | hrablo | snow shovel assembly | 1 |
| 10 | M-06 | matice M6 | M6 lock nut | 7 |
| 11 | P-06 | podložka | flat mat | 7 |
| 12 | SSG55100APL.06-01 | břit hrabla | Scraping plates | 1 |
| 13 | | šroub M6x16 | M6 raised countersunk head screws | 7 |

